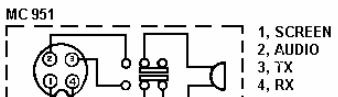
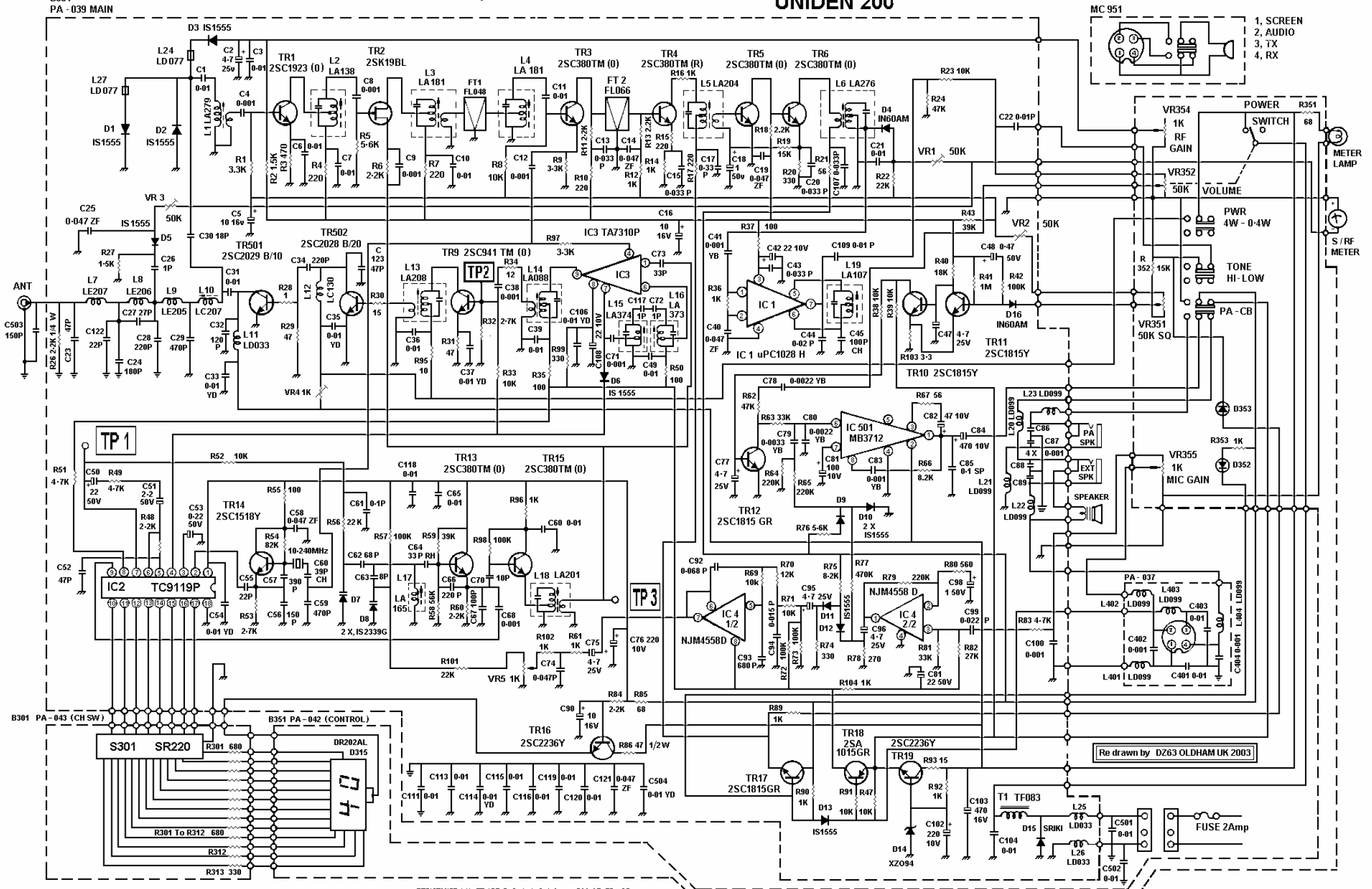


SCHEMATIC DIAGRAM

AUDIOLINE 341 ALSO COVERS UNICE 200 UNIDEN 200

B001
PA - 039 MAIN



1. SCREEN
2. AUDIO
3. TX
4. RX

1. RESISTANCE VALUES ARE SHOWN IN OHMS UNLESS OTHERWISE NOTED. (K = KILO OHMS)
2. RESISTOR WATTAGES ARE 1/8W UNLESS OTHERWISE NOTED.
3. CAPACITANCE VALUES ARE INDICATED IN MICROFARADS UNLESS OTHERWISE NOTED. (P = PICO - MICRO FARAD)
4. ALL CAPACITORS TEMPERATURE CHARACTERISTICS ARE SL (LESS THAN 100PPM) OR Y (MORE THAN 100PPM) UNLESS OTHERWISE NOTED.

TR 17	TR 18	TR 19	IC 4
E 8-0u rx 0-18u tx.	E 8-9u rx 8-9u tx.	E 8-9u rx 8-9u tx.	PIN 1, 0-3u rx. 4-8u tx.
C 8-9u 8-9u	C 0-0u 8-9u	C 12-2v 11-9u	2, 0-4u 4-8u
B 8-7u 0-7v	B 8-9u 8-1v	B 9-5v 9-5v	3, 0-0u 4-7u
			4, 0-0u 0-0u
			5, 0-0u 4-35v
			6, 7, 0-45v 4-4u
			8, 0-0v 8-8v

CBTricks.com

CBTricks.com

Re drawn by DZ63 OLDHAM UK 2003

B301 PA - 043 (CH SW)

B351 PA - 042 (CONTROL)

