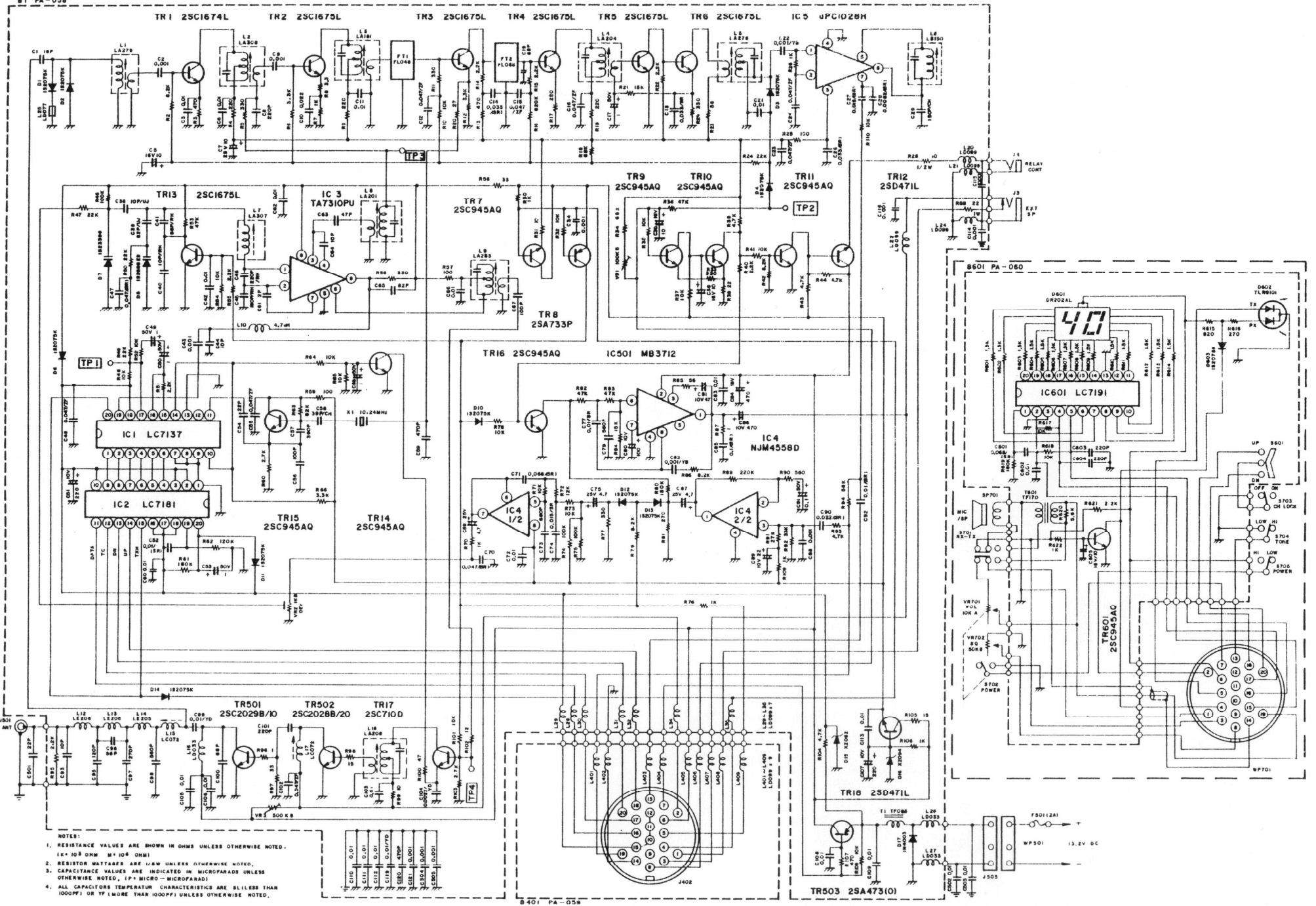


SCHEMATIC DIAGRAM

81 PA-058



- NOTES:
1. RESISTANCE VALUES ARE SHOWN IN OHMS UNLESS OTHERWISE NOTED. (K = 10³ OHM M = 10⁶ OHM)
 2. RESISTOR WATTAGES ARE $\frac{1}{4}$ W UNLESS OTHERWISE NOTED.
 3. CAPACITANCE VALUES ARE INDICATED IN MICROFARADS UNLESS OTHERWISE NOTED. (P = MICRO - MICROFARAD)
 4. ALL CAPACITORS TEMPERATURE CHARACTERISTICS ARE SLISSER THAN 1000P/F OR TV (MORE THAN 1000P/F) UNLESS OTHERWISE NOTED.

C11C	0.01
C11L	0.01
C11E	0.01
C11B	0.01
C11A	0.01
C12	0.01
C13	0.01
C14	0.01
C15	0.01
C16	0.01
C17	0.01
C18	0.01
C19	0.01
C20	0.01
C21	0.01
C22	0.01
C23	0.01
C24	0.01
C25	0.01
C26	0.01
C27	0.01
C28	0.01
C29	0.01
C30	0.01
C31	0.01
C32	0.01
C33	0.01
C34	0.01
C35	0.01
C36	0.01
C37	0.01
C38	0.01
C39	0.01
C40	0.01
C41	0.01
C42	0.01
C43	0.01
C44	0.01
C45	0.01
C46	0.01
C47	0.01
C48	0.01
C49	0.01
C50	0.01
C51	0.01
C52	0.01
C53	0.01
C54	0.01
C55	0.01
C56	0.01
C57	0.01
C58	0.01
C59	0.01
C60	0.01
C61	0.01
C62	0.01
C63	0.01
C64	0.01
C65	0.01
C66	0.01
C67	0.01
C68	0.01
C69	0.01
C70	0.01
C71	0.01
C72	0.01
C73	0.01
C74	0.01
C75	0.01

81 PA-058