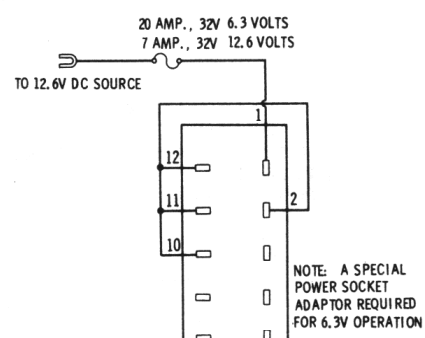
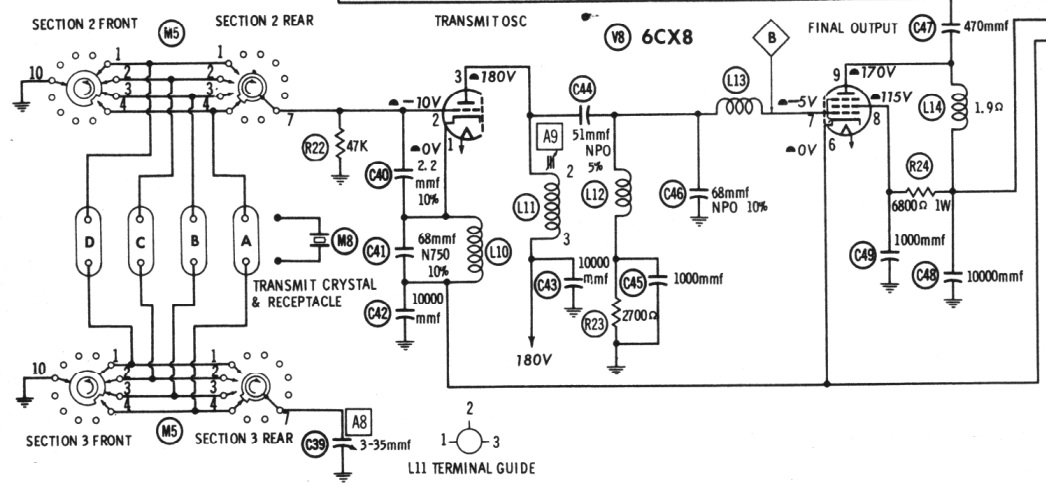


CHANNEL SELECTOR SWITCH (M5) SHOWN IN "CHANNEL A" POSITION. SWITCH SEQUENCE:

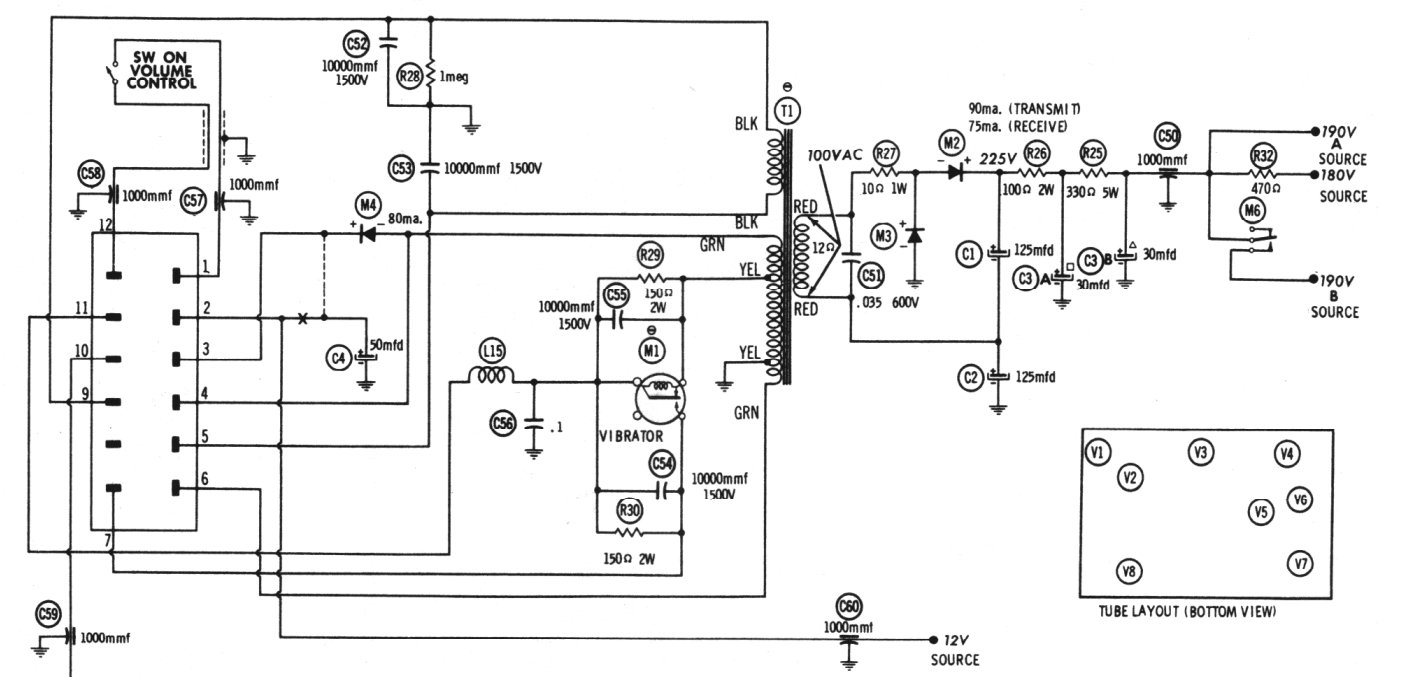
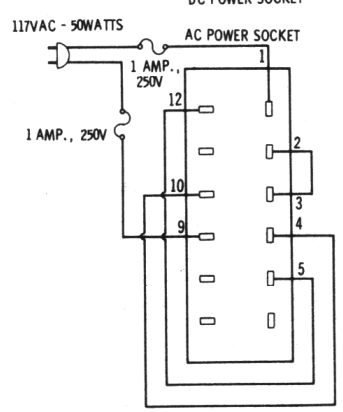
1. CHANNEL A
2. CHANNEL B
3. CHANNEL C
4. CHANNEL D



RESISTANCE READINGS

ITEM	TUBE	Pin 1	Pin 2	Pin 3	Pin 4	Pin 5	Pin 6	Pin 7	Pin 8	Pin 9
V1	6AU6	3.6meg	0Ω	.2Ω	0Ω	†900Ω	†48K	0Ω		
V2	6U8A	†11K	1meg	†68K	.5Ω	.2Ω	†900Ω	0Ω	0Ω	100K
V3	6BJ6	3.6meg	0Ω	.2Ω	.5Ω	†430Ω	†100K	0Ω		
V4	6BA6	1.6meg	0Ω	.2Ω	.5Ω	†10K	†10K	0Ω		
V5	6AL5	2.4meg	†1.1meg	3Ω	.2Ω	1.1meg	0Ω	220K		
V6	6AV6	2.2meg	0Ω	0Ω	.2Ω	440K	3.6meg	†270K		
V7	6BQ5	NC	760K	150Ω	.5Ω	.2Ω	NC	†580Ω	NC	†2600Ω
V8	6CX8	.5Ω	47K	†900Ω	0Ω	.2Ω	.0Ω	2700Ω	†7300Ω	†600Ω

ALL MEASUREMENTS MADE IN "RECEIVE" POSITION UNLESS OTHERWISE DESIGNATED.  
 † MEASURED IN "TRANSMIT" POSITION. NC NO CONNECTION  
 † MEASURED FROM OUTPUT OF M1.



SEE PARTS LIST FOR ALTERNATE VALUE OR APPLICATION

DC COIL RESISTANCE VALUES UNDER ONE OHM NOT SHOWN ON SCHEMATIC DIAGRAM

ARROWS ON CONTROLS INDICATE CLOCKWISE ROTATION (CONTROL VIEWED FROM SHAFT END)

NUMBERS ASSIGNED TO COILS, SWITCHES, PLUGS, SOCKETS, AND TRANSFORMERS ARE TO FACILITATE CIRCUIT TRACING OR COMPONENT REPLACEMENT AND MAY NOT NECESSARILY BE FOUND ON THE UNIT.

1. DC voltage measurements taken with vacuum tube voltmeter; AC voltages measured with 1000 ohm per volt voltmeter.
2. Socket connections are shown as bottom views.
3. Measured values are from socket pin to common ground.
4. Line voltage maintained at 117 volts for voltage readings.
5. Nominal tolerance of component values makes possible a variation of ±15% in voltage and resistance readings.
6. All controls at minimum, proper output load connected.

A PHOTOFAC STANDARD NOTATION SCHEMATIC  
 ©Howard W. Sams & Co., Inc. 1962