

This Manual is provided by
CBTricks.com

Someone who wanted to help you repair your equipment
scanned this manual.

If you would like to help us put more manuals online support us.

Supporters of CBTricks.com paid for the hosting so you would have this file.

CBTricks.com is a non-commercial personal website was created to help promote the exchange of service, modification, technically oriented information, and historical information aimed at the Citizens Band, GMRS (CB "A" Band), MURS, Amateur Radios and RF Amps.

CBTricks.com is not sponsored by or connected to any Retailer, Radio, Antenna Manufacturer or Amp Manufacturer, or affiliated with any site links shown in the links database. The use of product or company names on my web site is not endorsement of that product or company.

If your company would like to provide technical information to be featured on this site I will put up on the site as long as I can do it in a non-commercial way.

The site is supported with donation from users, friends and selling of the Galaxy Service Manual CD to cover some of the costs of having this website on the Internet instead of relying on banner ads, pop-up ads, commercial links, etc. to pay my costs. Thus I do not accept advertising banners or pop-up/pop-under advertising or other marketing/sales links or gimmicks on my website.

ALL the money from donations is used for CBTricks.com I didn't do all the work to make money (I have a day job). This work was not done for someone else to make money also, for example the ebay CD sellers.

All Trademarks, Logos, and Brand Names are the property of their respective owners.
This information is not provided by, or affiliated in any way with any radio or antenna Manufacturers.
Thank you for any support you can give.



TECH-NIQUE

990 South Fair Oaks Avenue, Pasadena, California 91105 / Telephone: (213) 799-9164

A communication of vital interest to every Courier dealer

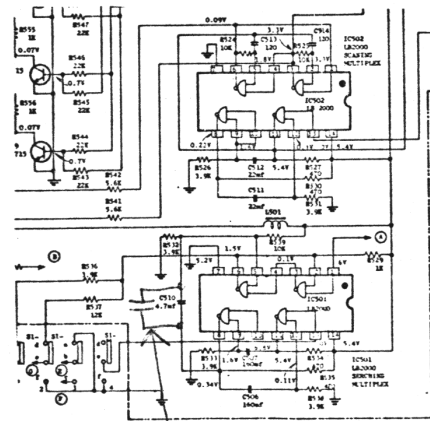
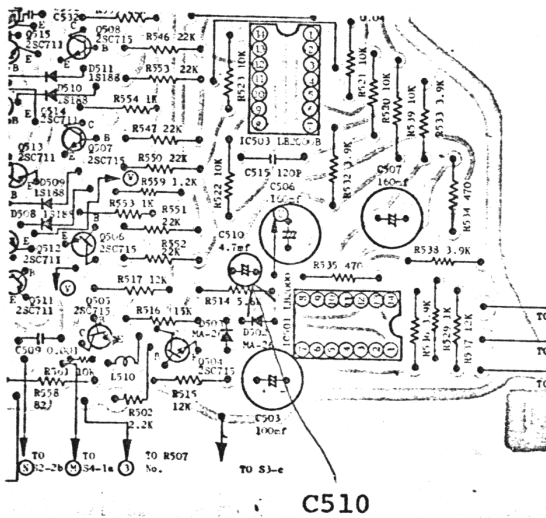
S-238

December 6, 1973

SUBJECT: COP-75 AUTO-SCAN VHF MONITOR

When using "Lazy Crystals" (low activity) in the COP-75 priority search position, add a 10MFD 15VDC electrolytic capacitor across C510 on the bottom of the PC Board.

This will increase the search time from 10 milliseconds to 40 milliseconds, giving the crystal sufficient time to oscillate.



Add 10MFD 15VDC
across C510

Ray Dashner

Ray Dashner
Customer Service Mgr.

RD:rt