

This Manual is provided by
CBTricks.com

Someone who wanted to help you repair your equipment
scanned this manual.

If you would like to help us put more manuals online support us.

Supporters of CBTricks.com paid for the hosting so you would have this file.

CBTricks.com is a non-commercial personal website was created to help promote the exchange of service, modification, technically oriented information, and historical information aimed at the Citizens Band, GMRS (CB "A" Band), MURS, Amateur Radios and RF Amps.

CBTricks.com is not sponsored by or connected to any Retailer, Radio, Antenna Manufacturer or Amp Manufacturer, or affiliated with any site links shown in the links database. The use of product or company names on my web site is not endorsement of that product or company.

If your company would like to provide technical information to be featured on this site I will put up on the site as long as I can do it in a non-commercial way.

The site is supported with donation from users, friends and selling of the Galaxy Service Manual CD to cover some of the costs of having this website on the Internet instead of relying on banner ads, pop-up ads, commercial links, etc. to pay my costs. Thus I do not accept advertising banners or pop-up/pop-under advertising or other marketing/sales links or gimmicks on my website.

ALL the money from donations is used for CBTricks.com I didn't do all the work to make money (I have a day job). This work was not done for someone else to make money also, for example the ebay CD sellers.

All Trademarks, Logos, and Brand Names are the property of their respective owners.
This information is not provided by, or affiliated in any way with any radio or antenna Manufacturers.
Thank you for any support you can give.



TECH-NIQUE

990 South Fair Oaks Avenue, Pasadena, California 91105 / Telephone: (213) 799-9164

A communication of vital interest to every Courier dealer

S-249

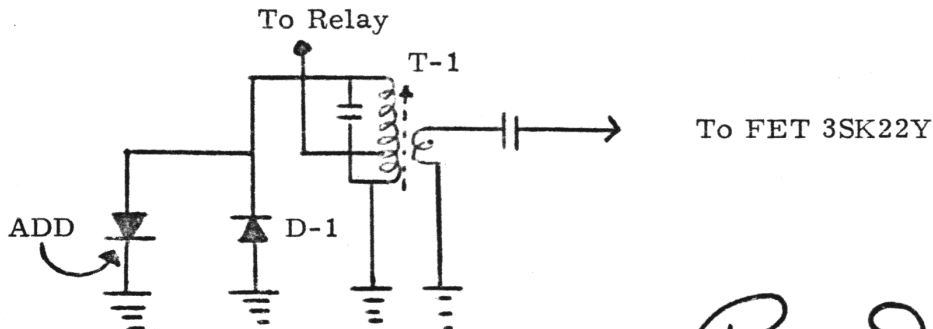
SUBJECT: SPARTAN SSB

In certain cases when a mobile transceiver connected to its antenna is subjected to static charges during an electrical storm, the discharge of the intense voltage developed on the antenna may exceed the ability of the RF amplifier FET's junction to withstand this high peak voltage. In the Spartan SSE Diode D-1 is intended to suppress these peak voltages and protect the RF stage (FET 3SK22Y).

The enclosed modification should be incorporated on Spartan SSB to increase this protection on units which have been found to have a defective RF stage FET, caused by static discharge from the antenna.

- A. Replace FET 3SK22Y (Fanon/Courier Part #1042-01).
- B. Replace diode D-1 with new diode IN914 (Fanon/Courier Part #DI-20).
- C. Add additional diode IN914, as shown in the diagram below (across the original D-1 diode, in back-to-back configuration).

No re-tuning is required, except perhaps touching up T-1 for peak reception. Use signal on Channel 13 (AM) for this purpose.



Ray Dashner

Ray Dashner
Customer Service Mgr.

RD:rt