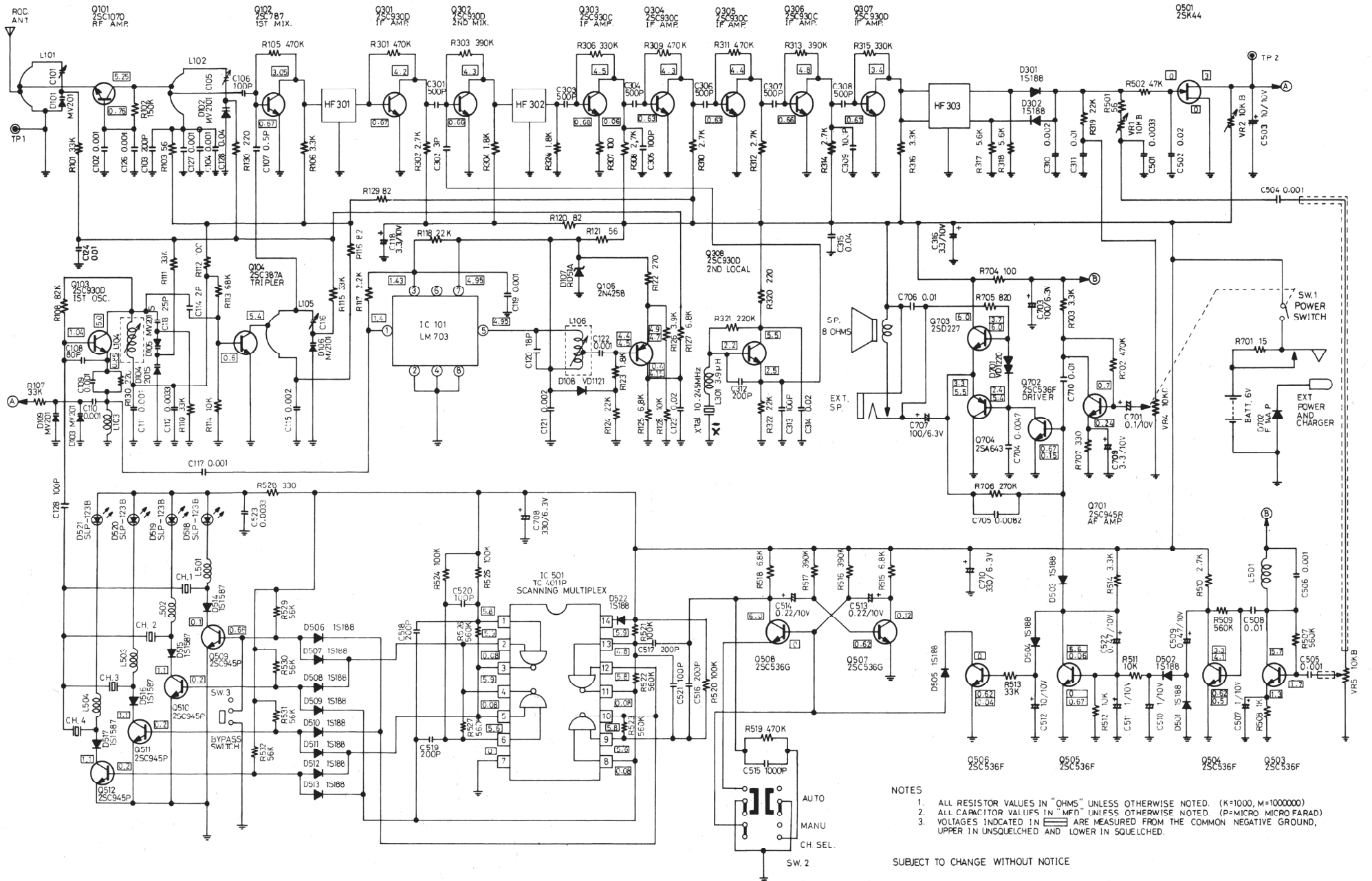


4352 SCHEMATIC DIAGRAM



- NOTES
1. ALL RESISTOR VALUES IN "OHMS" UNLESS OTHERWISE NOTED. (K=1000, M=1000000)
 2. ALL CAPACITOR VALUES IN "MFD" UNLESS OTHERWISE NOTED. (P=MICRO MICRO FARAD)
 3. VOLTAGES INDICATED IN ARE MEASURED FROM THE COMMON NEGATIVE GROUND, UPPER IN UNSQUELCHED AND LOWER IN SQUELCHED.

SUBJECT TO CHANGE WITHOUT NOTICE