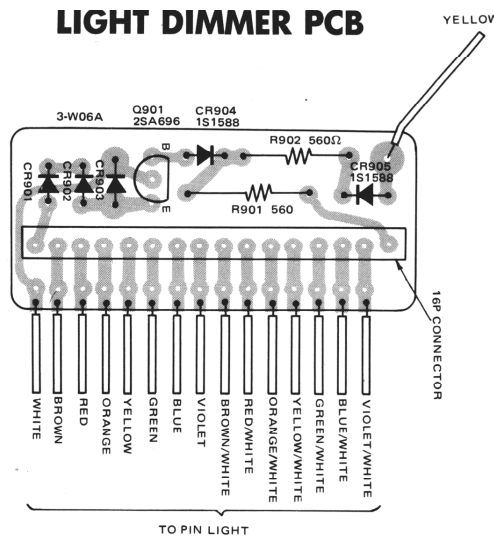
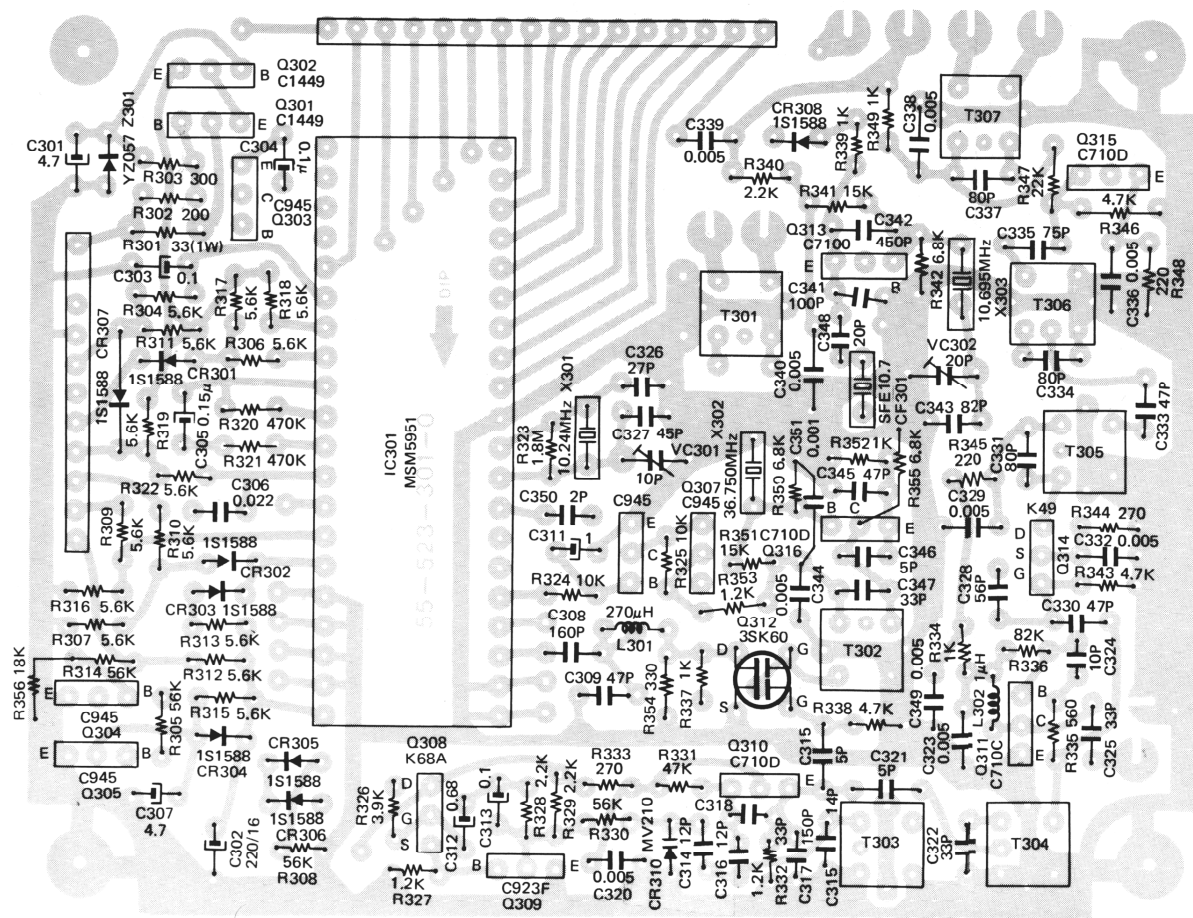


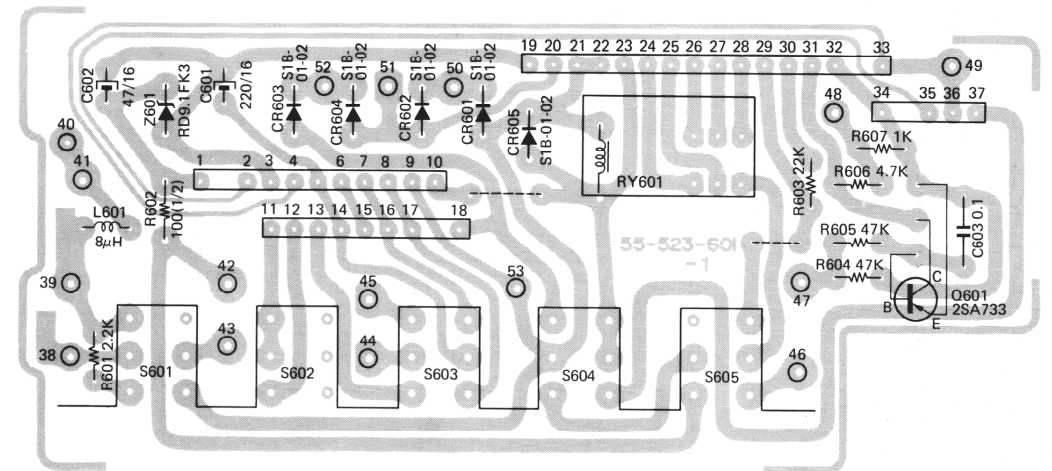
LIGHT DIMMER PCB



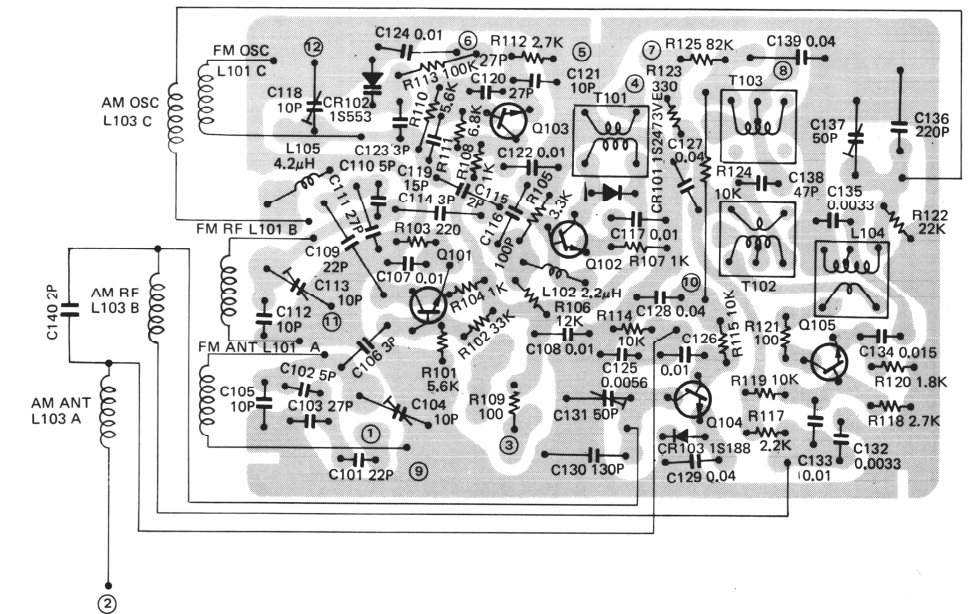
PLL SYNTHESIZER PCB



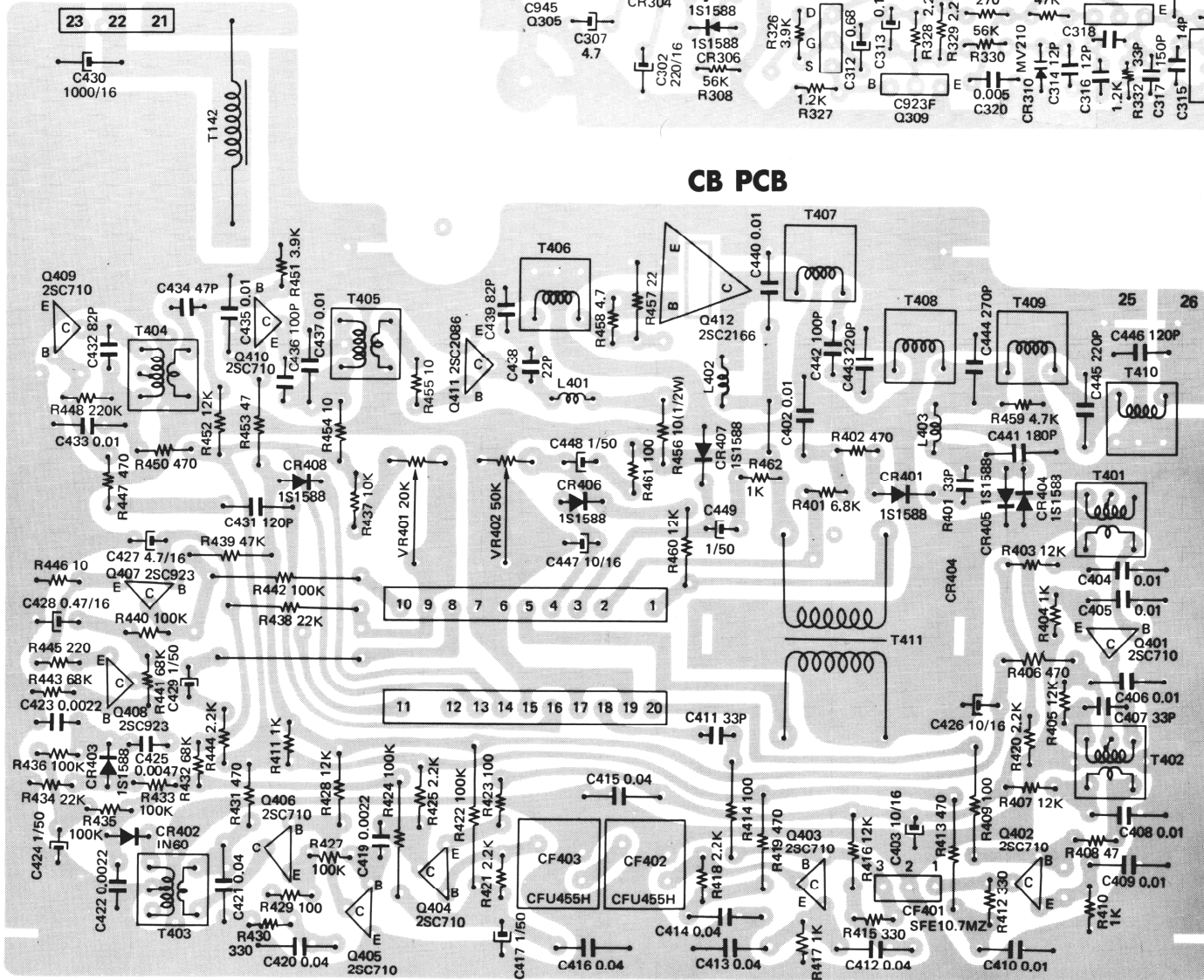
MODE SELECT SW PCB



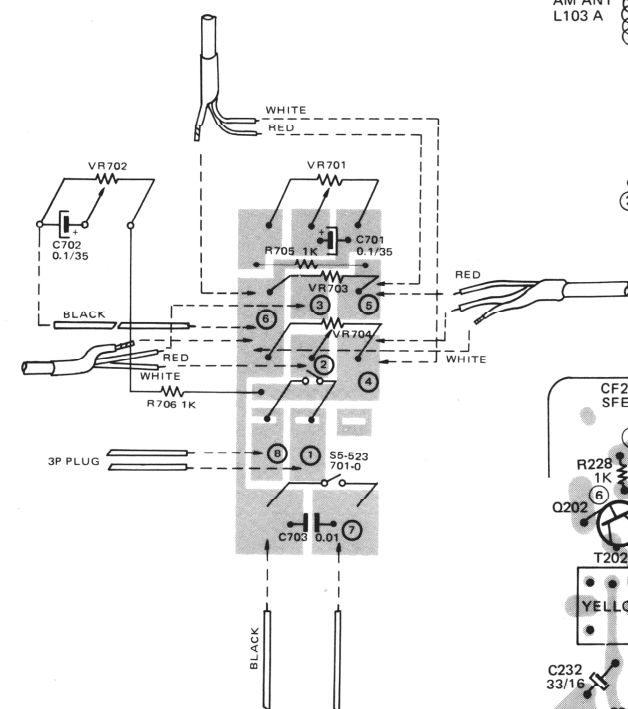
AM/FM RF PCB



CB PCB



VOL/TONE



AM/FM IF/MPX PCB

