

This Information Is Provided By  
***CBTricks.com***

**Craig L630 Service Manual**

**Liability of damages to any equipment is the sole responsibility of the user! Downloading, viewing, or using any information provided on these pages automatically accepts the user to the terms of this agreement!**

**Modifications are provided for information purposes only!**

Supporters of CBTricks.com paid for the hosting so you would have this file.

CBTricks.com is a non-commercial personal website was created to help promote the exchange of service, modification, technically oriented information, and historical information aimed at the Citizens Band, GMRS (CB "A" Band), MURS, Amateur Radios and RF Amps.

CBTricks.com is not sponsored by or connected to any Retailer, Radio, Antenna Manufacturer or Amp Manufacturer, or affiliated with any site links shown in the links database. The use of product or company names on my web site is not endorsement of that product or company.

The site is supported with donations from users, friends and selling of the Site Supporters DVD's to cover some of the costs of having this website on the Internet instead of relying on banner ads, pop-up ads, commercial links, etc. Thus I do not accept advertising banners or pop-up/pop-under advertising or other marketing/sales links or gimmicks on my website.

ALL the money from donations is used for CBTricks.com I didn't do all the work to make money (I have a day job). This work was not done for someone else to make money also, for example the ebay CD sellers.

All Trademarks, Logos, and Brand Names are the property of their respective owners.

This information is not provided by, or affiliated in any way with any radio or antenna Manufacturers.

**Thank you for any support you can give.**

For information on how to Support CBTricks.com

<http://www.cbtricks.com/support/>

# SERVICE MANUAL

# CRAIG®

# L630

## 40 CHANNEL INDASH CB TRANSCEIVER WITH AM/FM/MPX RADIO AND EIGHT-TRACK PLAYER



### SPECIFICATIONS

#### RADIO

|                            |  |
|----------------------------|--|
| TUNER FREQUENCY RANGE..... | AM: 540 - 1600kHz<br>FM: 88 - 108 MHz            |
| FREQUENCY RESPONSE.....    | 40 to 10,000 Hz                                  |
| STEREO SEPARATION.....     | Better than 30dB                                 |
| CROSSTALK.....             | Better than 35dB                                 |
| SIGNAL/NOISE RATIO.....    | Better than 40dB                                 |
| AUDIO OUTPUT.....          | 4 W average continuous<br>sine-wave power per-CH |

#### CB GENERAL

|                          |  |
|--------------------------|--|
| FREQUENCY RANGE.....     | 26.965 to 27.405 MHz   |
| CHANNELS.....            | 40   |
| FREQUENCY TOLERANCE..... | $\pm 0.005\%$ from -30C to +50C  |
| FREQUENCY STABILITY..... | $\pm 0.001\%$  |
| MICROPHONE.....          | Detachable with Squelch, Volume,<br>press-to-talk, PA, and Up/Down<br>controls and coiled cord |
| POWER SOURCE.....        | 12 V system, negative ground   |
| CURRENT DRAIN.....       | RECEIVE: 1.5 A @ maximum audio<br>output, 0.3 A Standby<br>TRANSMIT: 1.5 A                     |

#### TRANSMITTER

|                            |               |
|----------------------------|---------------|
| RF POWER OUTPUT.....       | 4 Watts       |
| MODULATION CAPABILITY..... | 100%          |
| SPURIOUS ATTENUATION.....  | 60 dB minimum |
| OUTPUT IMPEDANCE.....      | 50 Ohm        |

#### RECEIVER

|                                 |  |
|---------------------------------|--|
| SENSITIVITY.....                | Better than 0.5uV for<br>10 dB (S+N)/N                     |
| BANDWIDTH.....                  | $\pm 3$ kHz @ -6dB   |
| AGC.....                        | Change in audio output less<br>than 12dB from 10uV to 0.5V |
| POWER OUTPUT.....               | 4 W @ 5% THD   |
| IMAGE REJECTION.....            | Better than 60dB   |
| ADJACENT CHANNEL REJECTION..... | Better than 60dB   |
| IF FREQUENCY.....               | 1st IF: 10.695 MHz<br>2nd IF: 455 kHz                      |
| P.A. POWER OUTPUT.....          | 8 W @ 5% THD   |

SUBJECT TO CHANGE WITHOUT NOTICE

### WARNING

Replacement or substitution of IC's, crystals, transistors, regulator diodes, or any other part of a specialized nature with parts other than those recommended by Craig may cause the operator to be in violation of the Type Acceptance requirements of Part 2 of the Rules.

FCC Rules require that ALL transmitter section adjustments, other than those supplied by Craig as operating controls, be made by or under the immediate supervision of the holder of an FCC First or Second Class Radio-Telephone Operator's License.

**A PRODUCT OF CRAIG CORPORATION**

# PARTS PRICE LIST

SUBJECT TO CHANGE WITHOUT NOTICE. USE ALL AVAILABLE NUMBERS AND COMPLETE

DESCRIPTION WHEN ORDERING, INCLUDING MODEL NUMBER

(THESE PRICES HAVE BEEN REVISED AS OF 11-15-78)

| REF. No | CRAIG KEY No. | DESCRIPTION | MFR's SUGG RET. PRICE | REF. No | CRAIG KEY No. | DESCRIPTION | MFR's SUGG RET. PRICE |
|---------|---------------|-------------|-----------------------|---------|---------------|-------------|-----------------------|
|---------|---------------|-------------|-----------------------|---------|---------------|-------------|-----------------------|

## AM/FM & TAPE CABINET & CHASSIS

|       |         |                                    |       |     |         |   |       |
|-------|---------|------------------------------------|-------|-----|---------|---|-------|
| 101   | L630201 | Ass'y, Tuner Front Chassis         | 5.00  | 146 | S681011 | Cord Clamp                                | .40   |
| 102   | S630011 | Lever, AM/FM                       | .25   | 147 | S180056 | Sponge Cushion                            | .25   |
| 103   | S630012 | Lever, AM/FM Switch                | .30   | 148 | L630601 | Ass'y, Feed-Thru Cap(1000pF)              | 6.30  |
| 104   | S630013 | Spr, AM/FM Sw Lever                | .25   | 149 | NSP     | Bkt, Feed-Thru Cap Mtg                    | ----  |
| 105   | S630014 | Lever Strap                        | .30   | 150 | W110607 | Ass'y, 9P Pwr/SP Conn(unit side)          | 1.50  |
| 107   | 2626097 | Switch, AM/FM (S4)                 | 2.15  | 153 | S681015 | Seal, Adj Hole                            | .25   |
| 108   | S630006 | Switch, REPEAT & ST/MONO(S5)       | 2.55  | 155 | L630010 | Ass'y, Nose Panel(Escutcheon)             | 7.65  |
| 109   | S630016 | Push Sw, LOC/DX & STBY(S7,9)       | 2.75  |     | L630030 | Slide Bar, AM/FM                          | 1.75  |
| 110   | S630017 | PCB, Weather Sw Mtg                | .25   |     | L630011 | Index Panel, Escutcheon                   | .40   |
| 111   | S180045 | PCB, STEREO/DX Switch              | .30   |     | S630047 | Spring, Slide                             | .50   |
| 112   | L630517 | Ass'y, TUNER PCB w/Comp & MECH.    | 52.15 |     | S630049 | Lens Set, Prog Indicator                  | .50   |
| 112-1 | L630026 | Button, Tuner Pre-Set              | .95   |     | S630050 | Acryl Bar, Prog Ind(Light Refractor)      | .25   |
| 113   | S630020 | Plate, Pre-Set Button              | .25   |     | S630051 | Poly-Slider, AM/FM Slide Bar              | .25   |
| 114   | L630341 | Ass'y, AM/FM Switch Lever          | 1.65  |     | S630052 | Acryl Bar Holder(large)                   | .65   |
| 115   | S630022 | Holder, Dial Pointer               | .25   |     | L630012 | Acryl Bar Holder(B) (small)               | .50   |
| 116   | S630023 | Dial Pointer                       | .75   | 156 | L630031 | Button, STBY                              | 1.10  |
| 117   | S630024 | Shaft, Cartridge Door              | .60   | 157 | L630032 | Button, Noise Blanker "NB"                | 1.10  |
| 118   | S630025 | Spr, Cartridge Door                | .25   | 158 | S630055 | Top Case                                  | 2.95  |
| 119   | S630009 | Ass'y, Dial Pointer Slider         | .85   | 159 | S630056 | Bottom Case                               | 3.65  |
| 120   | S630026 | Ass'y, Cartridge Door              | 3.90  | 160 | S630057 | Rear Panel                                | 2.35  |
|       | L630380 | Frame, Cartridge Door              | 1.05  | 161 | L630520 | Ass'y, AM RE/IF & FM RE/IF/MPX PCB w/Comp | 75.00 |
|       | L630077 | Dial Scale                         | 2.00  | 162 | L630521 | Ass'y, AMP PCB w/Comp                     | 45.00 |
|       | L630381 | Back Plate                         | 1.10  | 163 | S280046 | Lamp, Dial Scale(PL1)                     | 1.20  |
|       | L630420 | Pointer Guide                      | .35   | 164 | L630707 | Fiber Isolator                            | .35   |
|       | L630800 | Adhesive Paper Dial Scale          | .25   | 166 | L630607 | Antenna Receptacle                        | 3.60  |
|       | L630801 | Veil, Dust Barrier                 | .25   | 167 | L630530 | Rotary Sw RADIO/CB/WB (S3)                | 8.10  |
| 121   | S630005 | Ass'y, ST/MONO/REPEAT Button       | .95   | 168 | L630570 | Control, VOL/TONE/BAL Pwr & Prog Sw       | 13.95 |
| 121-2 | L630027 | Button Plate, REPEAT "RPT"         | .25   | 169 | S630062 | Push Sw, Noise Blanker "NB"(S8)           | 2.35  |
| 122   | L630028 | Ass'y, LOC/DX Button               | .95   | 170 | L630708 | Fiber Insulator                           | .25   |
| 122-2 | L630029 | Button Plate, "DX"                 | .25   | 181 | L630522 | PCB, Ground                               | .35   |
| 123   | S630027 | Ext. Joint, Tuning Shaft           | 1.60  | 185 | L630050 | Upper Case, Terminal Block                | 2.70  |
| 124   | 1902025 | Cross Joint, Tuning Shaft          | .45   | 186 | L630051 | Lower Case, Terminal Block                | 2.65  |
| 125   | L630518 | Ass'y, Antenna PCB w/Comp          | 3.60  | 187 | L630382 | Cord Clamp (B)                            | .50   |
|       | S630079 | Ant Trimmer, 65pF(TR601)           | 1.85  | 189 | L630330 | Rubber Bushing, Terminal Block Cord       | .32   |
|       | W150800 | Cap, Trimmer                       | .35   | 190 | L630523 | PCB, Terminal Block                       | .45   |
| 126   | NSP     | Bkt, Trimmer PCB Mtg               | ----  | 191 | L630802 | Ass'y, Terminal Block Cord                | 5.45  |
| 127   | S630029 | Ass'y, Weather PCB w/Comp          | 24.00 | 193 | L630608 | Ass'y, CB & MIC Conn So w/Cord            | 25.95 |
| 128   | NSP     | Bkt, Weather Cont Mtg              | ----  | 194 | L630331 | Rubber Bushing, Mic Conn Cord             | .40   |
| 129   | L630571 | VR 20k, Weather Adj (VR801)        | 2.50  | 195 | L630609 | 4P Conn(D) So (J104)                      | 2.90  |
| 130   | S630031 | Guide, Weather Adj                 | .25   | 196 | L630610 | 5P Conn(A) So (J102)                      | 3.25  |
| 131   | NSP     | Chassis, Weather PCB Mtg           | ----  | 197 | NSP     | Spacer, M2.6                              | ----  |
| 132   | S681010 | Ass'y, Choke Filter PCB w/Comp     | 3.95  | 198 | L630383 | Ass'y, Transmit Lamp Holder               | 4.55  |
|       | S180103 | Choke Filter                       | 3.05  | 199 | L630709 | Isolator, Lamp Holder                     | .35   |
| 133   | NSP     | Bkt, Dial Scale Lamp Mtg           | ----  | 200 | L630430 | Cushion, Lamp Holder                      | .25   |
| 134   | S630034 | Lamp Holder, Dial Scale            | .35   | 201 | NSP     | Wire Clamp                                | ----  |
| 135   | S630035 | Ass'y, Indicator Lamp Holder       | 5.58  | 202 | L630710 | Isolator, Lamp Holder                     | .35   |
| 136   | S680051 | PCB, Noise Blanker Sw Mtg          | .25   | 203 | L630611 | 3P Conn(C) So (J101)                      | 1.70  |
| 137   | L630519 | PCB, Junction                      | 1.20  | 204 | L630612 | 5P Conn(B) So (J103)                      | 2.40  |
| 138   | S630037 | Chassis, Front Panel               | 3.20  | 205 | L630613 | 3P Conn So (J401)                         | .85   |
| 139   | 3148118 | Washer, Volume Cont Locator        | .25   | 206 | S630071 | Ass'y, 4P Conn So (J501)                  | 1.05  |
| 140   | -----   | Plain Washer, M9.5x16x1            | .25   | 207 | S280060 | Ass'y, 5P Conn So (J502)                  | 1.20  |
| 141   | 3148119 | Toothed Lock Washer, 3/8"x17.5x0.9 | .25   | 413 | 3148021 | Knob, VOL/TUNING                          | .80   |
| 142   | 3148117 | Hex Nut, 3/8"x12.5x2               | .25   | 414 | 3148020 | Knob, TONE/BAL & RADIO/CB/WB              | .75   |
| 144   | S630038 | Spr, Pinon Shaft                   | .30   |     |         |   |       |
| 145   | S630039 | Insulator, Junction PCB            | .25   |     |         |   |       |

NSP: Non-Serviceable Part

## MECHANISM

|     |         |                            |       |      |         |                              |      |
|-----|---------|----------------------------|-------|------|---------|------------------------------|------|
| 1   | NSP     | Ass'y, Chassis             | ----  | 19   | S680061 | Ass'y, Cartridge Retainer    | .85  |
| 2   | S680066 | Guide, Cartridge           | .40   | 19-3 | S180072 | Roller, Cartridge Retainer   | .25  |
| 3   | S603380 | Ass'y, Head Base Mtg Plate | 1.60  | 20   | S630064 | Ass'y, Filter PCB w/Comp     | 1.70 |
| 4   | S680057 | Head Housing               | .40   | 21   | L630200 | Ass'y, Top Chassis           | 5.75 |
| 5   | S180088 | Spacer, Head               | .30   | 21-1 | L630212 | Spr Pin, Pressure Roller     | .25  |
| 6   | 3148096 | Spring(B), Head Azimuth    | .25   | 21-3 | L630260 | Roller(C), Cart Pressure     | .40  |
| 7   | NSP     | Lug, M3                    | .25   | 21-8 | L630706 | Fiber, Switch                | .25  |
| 8   | S180082 | PCB, Prog Ind Lamp Sw      | .80   | 22   | L630516 | PCB, RADIO/TAPE Switch       | .95  |
| 9   | S180083 | Ass'y, Prog Change Cam     | .95   | 23   | S630067 | Switch, RADIO/TAPE(S2)       | 2.30 |
| 9-2 | S180084 | Plate Spr, Switch          | .25   | 24   | S680062 | Bearing, Flywheel Capstan    | 1.60 |
| 10  | S180085 | Top Spr, Cam               | .25   | 25   | S680063 | <u>F L Y W H E E L</u>       | 2.55 |
| 11  | L630270 | Spr, Head Push-Up          | .25   | 26   | S680064 | Tape protector Insert        | .25  |
| 12  | 3148098 | Spr, Solenoid Shaft        | .25   | 27   | S680065 | <u>B E L T</u>               | 1.30 |
| 13  | S630063 | <u>SOLENOID</u>            | 5.10  | 28   | 3211117 | <u>H E A D</u>               | 9.95 |
| 14  | S180090 | Ratchet Support            | .35   | 29   | S630068 | Leaf Sw, Dimmer Light ON/OFF | .75  |
| 15  | S180091 | Ratchet Claw               | .35   | 30   | L630395 | Bkt, STBY Switch Mtg         | .60  |
| 16  | S680059 | Ass'y, Tape Guide          | .80   | 31   | T180029 | Fiber Insulator              | .25  |
| 17  | S680068 | <u>M O T O R</u>           | 15.60 | 143  | NSP     | Lug, Lead Strap              | ---- |
| 18  | S680060 | Motor Pulley               | .85   |      |         |                              |      |

| REF. No. | CRAIG KEY No. | DESCRIPTION | MFR's SUGG RET. PRICE | REF. No. | CRAIG KEY No. | DESCRIPTION | MFR's SUGG RET. PRICE |
|----------|---------------|-------------|-----------------------|----------|---------------|-------------|-----------------------|
|----------|---------------|-------------|-----------------------|----------|---------------|-------------|-----------------------|

### MICROPHONE CABINET

|     |         |                                 |       |     |         |  |       |
|-----|---------|---------------------------------|-------|-----|---------|--|-------|
| 516 | L630013 | Ass'y, Front Case(A)            | 11.95 | 526 | L630711 | Fiber Sheet Insulator                      | .25   |
|     | L630014 | Black Plate Ornament            | 1.25  | 527 | L630804 | Veil Sheet Protector                       | .25   |
|     | L630015 | Transparent Window Plate        | .95   | 528 | NSP     | Label Sticker                              | ----  |
|     | L630016 | Microphone Grille               | 2.95  | 529 | L630620 | Ass'y, Coil Cord w/16P Conn Plug           | 30.00 |
| 517 | L630052 | Rear Case(B), Microphone        | 4.95  |     | L630384 | Metal Clamp, Cord Strain relief            | .65   |
| 518 | L630033 | Knob, VOL & SQ Cont             | 1.00  |     | L630332 | Rubber Bushing, Cord Protector             | .95   |
| 519 | L630034 | Knob, Transmit Sw               | 1.75  |     | L630805 | Cord ONLY                                  | 15.95 |
| 520 | L630035 | Ass'y, Channel Select Knob w/Sw | 9.25  |     | L630621 | 16P Connector Plug(P2002)                  | 13.95 |
|     | L630036 | Knob, Channel Selector          | 2.95  | 530 | L630572 | VR 10k(B), VOL Cont                        | 2.40  |
|     | L630531 | Sw, Up-Down(S1601)              | 5.00  | 531 | L630573 | VR 10k(D), SQUELCH Cont                    | 2.40  |
| 521 | L630396 | Bkt, Mic Hanger                 | 1.70  | 532 | L630641 | Microphone Transformer (T6)                | 3.95  |
| 522 | NSP     | Bkt, Sw & Control Mtg           | ----  | 533 | L630670 | Microphone Element                         | 7.25  |
| 523 | L630213 | Special Screw, Round Head       | .30   | 534 | L630532 | Slide Sw, CB/PA (S1602)                    | 2.50  |
| 524 | L630803 | Net, Dust Cover                 | .30   | 535 | L630533 | Sw, Transmit "PTT" (S1603)                 | 2.50  |
| 525 | NSP     | Round Sponge Cushion            | ----  | 536 | L630524 | Ass'y, Display & Segment Driver PCB w/Comp | 49.95 |

### CB CABINET & CHASSIS

|     |         |                         |      |      |         |   |       |
|-----|---------|-------------------------|------|------|---------|---|-------|
| 545 | -----   | Rivet, M2               | ---- | 557  | L630602 | Ass'y, Bkt w/Feed Thru Cap(C1221~C1242) | 11.75 |
| 546 | L630053 | Upper Case, CB Unit     | 8.90 | 558  | L630431 | Cushion, PLL PCB                        | .25   |
| 547 | NSP     | Heat Sink(A)            | ---- | 559  | L630712 | Insulator Sheet                         | 1.55  |
| 548 | NSP     | Case(A), PLL PCB Shield | ---- | 560  | -----   | Identification Plate                    | ----  |
| 549 | NSP     | Case(B), PLL PCB Shield | ---- | 564  | L630624 | 24P Conn Plug(P2001)                    | 8.55  |
| 550 | L630232 | Stud(D), PLL PCB Mtg    | .40  | 564A | NSP     | Bkt, Conn Mtg                           | ----  |
| 551 | L630233 | Stud(E), PLL PCB Mtg    | .65  | 568  | 4103035 | Coaxial Ant Socket(J1)                  | 1.85  |
| 552 | L630234 | Stud(F), NB/PLL PCB Mtg | .45  | 568A | -----   | Hex Nut & Washer, M16                   | .45   |
| 553 | NSP     | Heat Sink               | ---- | 569  | -----   | Ass'y, Main CB -PCB w/Comp              | ----  |
| 554 | L630054 | Lower Case, CB Unit     | 4.45 | 570  | L630525 | Ass'y, PLL PCB w/Comp                   | 79.95 |
| 555 | NSP     | Main Chassis, CB Unit   | ---- | 571  | L630526 | Ass'y, NB PCB w/Comp                    | 16.95 |
| 556 | NSP     | Bkt (A), Conn Mtg       | ---- | 572  | L630527 | Ass'y, CONTROL/RELAY PCB w/Comp         | 37.60 |

### MISCELLANEOUS ELECTRICAL

| AM/FM & TAPE         |         |                                  |       |          |         |                                |       |
|----------------------|---------|----------------------------------|-------|----------|---------|--------------------------------|-------|
| NE401                | W110550 | Neon Lamp                        | .70   | S11      | S180082 | PCB Sw, Prog Lamp              | .80   |
| RL901                | L630718 | R E L A Y(mounted on AMP PCB)    | 9.85  | S12      | S680059 | Sensor Sw, AUTO Prog Change    | 1.10  |
| VR501,502            | S630069 | Semi-Var Res, 10k Ohm            | .65   | PL1      | S280046 | Lamp, Dial Scale               | 1.20  |
| VR801                | L630571 | VR 20k, WEATHER Adj              | 2.50  | PL2 ~8   | 3516089 | Lamp, PROG/ST/STBY/MOD         | 1.05  |
| VR3                  |         | VR 20k, BALANCE Cont             |       | J101     | L630611 | 3P Conn So w/Harness           | 1.70  |
| VR2,102              | L630570 | VR 20k Ohm, VOLUME Cont          | 13.95 | J102     | L630610 | 5P Conn So w/Harness           | 3.25  |
| VR1,101              |         | VR 20k Ohm, TONE Cont            |       | J103     | L630612 | 5P Conn So w/Harness           | 2.40  |
| S1                   |         | Main Power Switch                |       | J104     | L630609 | 4P Conn So w/Harness           | 2.90  |
| S6                   |         | Manual Program Select Switch     |       | J401     | L630613 | 3P Conn Sw w/Harness           | 1.05  |
| S2                   | S630067 | Slide Sw, RADIO/TAPE             | 2.30  | J501     | S630071 | 4P Conn So w/Harness           | 1.05  |
| S3                   | L630530 | Rotary Sw, RADIO/CB/WB           | 8.10  | J502     | S280060 | 5P Conn So w/Harness           | 1.20  |
| S4                   | 2626097 | Micro Sw, AM/FM Select           | 2.15  | P101     | L630622 | 3P Conn Plug                   | .80   |
| S5                   | S630006 | Push Sw, REPEAT & ST/MONO        | 2.55  | P102,103 | S101620 | 5P Conn Plug                   | .95   |
| S7                   | S630016 | Push Sw, LOC/DX                  | 2.75  | P104     | L630623 | 4P Conn Plug                   | .80   |
| S8                   | S630062 | Push Sw, Noise Blanker "NB"      | 2.35  | P401     | S630072 | 3P Conn Plug                   | .70   |
| S9                   | S630016 | Push Sw, STAND-BY "STBY"         | 2.75  | P501     | S630073 | 4P Conn Plug                   | .80   |
| S10                  | L630718 | PA/ST Output Sw(see RELAY RL901) | 9.95  | P502     | S280059 | 5P Conn Plug                   | .90   |
| CB CABINET & CHASSIS |         |                                  |       |          |         |                                |       |
| J1                   | 4103035 | Coaxial Ant. So                  | 1.85  | J1102    | L630617 | 10P Conn So w/Harness          | 4.85  |
| J2001                |         | 24P CB Conn So                   |       | VR1103   | L630590 | Semi-Var Res, 10k              | .75   |
| J2002                | L630608 | 16P Mic Conn So w/Cord           | 25.95 | VR1104,  |         |                                |       |
| P2002                | L630621 | 16P Conn Plug, MICROPHONE        | 13.95 | 1105     | L630591 | Semi-Var Res, 1k               | .95   |
| P2001                | L630624 | 24P Conn Plug, CB                | 8.55  | VR1601   | L630572 | VR 10k(B), MIC Vol Cont        | 2.40  |
| P1104,               |         |                                  |       | VR1602   | L630573 | VR 10k(D), SQUELCH Cont        | 2.40  |
| 1105,                | L630625 | 2P Conn Plug                     | 1.15  | S1601    | L630531 | Switch, Up-Down Scan           | 5.00  |
| 1106                 |         |                                  |       | S1602    | L630532 | Slide Sw, CB/PA                | 2.50  |
| P1101,               |         |                                  |       | S1603    | L630533 | PTT Sw, TRANSMIT/RECEIVE       | 2.80  |
| 1102                 | L630626 | 10P Conn Plug                    | 3.95  | MIC      | L630670 | Microphone Element             | 7.25  |
| P1301                | L630627 | 8P Conn Plug                     | 3.15  | LED1601  | SL1271  | L.E.D., CH Display             | 16.95 |
| P1302                | L630628 | 5P Conn Plug                     | 2.35  | RL1      | L630719 | RELAY(G2X)                     | 9.95  |
| J1101                | L630616 | 10P Conn So w/Harness            | 4.85  | RL1501   | L630720 | RELAY(MAT4B-BRT), PA/CB Sw     | 15.45 |
| J1301                | L630614 | 8P Conn So w/Harness             | 3.75  | RL1502,  |         |                                |       |
| J1302                | L630615 | 5P Conn So w/Harness             | 2.55  | 1503     | L630721 | RELAY(TECK-70 12V), TX/RX & NB | 14.45 |

### CHOKES, COILS, TRIMMERS & TRANSFORMERS

| CB CABINET & CHASSIS |         |                          |      |         |         |                           |       |
|----------------------|---------|--------------------------|------|---------|---------|---------------------------|-------|
| T1                   | L630643 | Input Transformer        | 3.20 | L1304,  |         |                           |       |
| T2                   | L630644 | Audio Transformer        | 8.65 | 1305    | L630689 | OSC Coil(TKXN20616EM)     | 1.80  |
| T4                   | L630645 | Audio Transformer        | 4.55 | L1306   | L630690 | OSC Coil                  | 3.00  |
| T6                   | L630641 | Microphone Transformer   | 3.95 | L1307,  |         |                           |       |
| L1101                | L630680 | Antenna Coil             | 2.30 | 1401    | L630684 | Filter Coil(S010M), 1uH   | 1.30  |
| L1102,               |         |                          |      | L1308   | L630685 | Filter Coil(S101K), 100uH | 1.20  |
| 1103                 | L630674 | RF Coil                  | 2.25 | L1309   | L630686 | Filter Coil, 2.2uH        | 1.65  |
| L1104                | L630676 | RF Coil                  | 2.35 | L1402   | L630692 | RF Coil, 26 MHz           | 2.50  |
| L1105,               |         |                          |      | L1403   | L630691 | RF Coil, 14 MHz           | 2.15  |
| 1109,                |         |                          |      | BPF1    | L630683 | Filter, SFE10.7 MHz       | 3.40  |
| 1110                 | L630679 | Filter Coil              | 2.20 | BPF2,3  | L630682 | Filter(CFU), 455 kHz      | 10.25 |
| L1106                | L630675 | Filter Coil, 1uH         | 1.55 | BPF4    | L630681 | Filter(CFD), 455 kHz      | 5.75  |
| L1107                | L630678 | Filter Coil              | 2.25 | TC1301  | L630693 | Trimmer Cap, 20pF         | 2.60  |
| L1108                | L630677 | RF Coil                  | 2.50 | X1301   | L630723 | Crystal, 36.38 MHz        | 14.00 |
| L1301                | L630688 | Filter Coil (KXN-13636)  | 1.80 | X1302   | L630722 | Crystal, 10.24 MHz        | 14.00 |
| L1302,               |         |                          |      | X1303   | L630724 | Crystal, 10.695 MHz       | 14.00 |
| 1303                 | L630687 | Filter Coil, (KXN-13638) | 2.00 | C1221 ~ | 1242 -- |                           |       |
|                      |         |                          |      | --      | L630602 | Feed-Thru Cap, 2200pF     | 11.95 |

| REF. No. | CRAIG KEY No. | DESCRIPTION | MFR's SUGG RET. PRICE | REF. No. | CRAIG KEY No. | DESCRIPTION | MFR's SUGG RET. PRICE |
|----------|---------------|-------------|-----------------------|----------|---------------|-------------|-----------------------|
|----------|---------------|-------------|-----------------------|----------|---------------|-------------|-----------------------|

### CHOKES, COILS, TRIMMERS & TRANSFORMERS

| AM/FM & TAPE     |         |                       |      |           |         |                              |      |
|------------------|---------|-----------------------|------|-----------|---------|------------------------------|------|
| L1               | S180103 | Choke Filter          | 2.30 | T602      | L630672 | AM IFT w/Ceramic Filter      | 3.20 |
| L2               | S630063 | SOLENOID, Prog Change | 5.10 | T603      | S630078 | AM IFT                       | .85  |
| L401,403,404,501 | 1902045 | IF Trap Coil, 1.5uH   | .60  | T801      | L630642 | Weather IFT                  | 1.05 |
| L402,601         | S630074 | Coil, 4.7uH           | .40  | CF501,502 | L630673 | Ceramic Filter(SFE 10.7 MHz) | 1.60 |
| L405             | L630671 | IF Trap Coil          | .90  | CR501     | S680075 | CR Component                 | 1.10 |
| T401             | 3516096 | FM IFT                | 1.35 | TR401,402 | S630080 | Trimmer, 8pF                 | .65  |
| T501             | 3516097 | FM IFT                | 1.35 | TR403     | S630081 | Trimmer, 5pF                 | .65  |
| T601             | S603641 | AM OSC Coil           | 1.05 | TR601     | S630079 | AM Ant. Trimmer 65pF         | 1.85 |
|                  |         |                       |      | TR602,603 | 1902050 | Trimmer Cap, 50pF            | 1.15 |

### SEMICONDUCTORS

| AM/FM & TAPE  |         |             |      |  |                      |                      |       |
|---|---------|-------------|------|--|----------------------|----------------------|-------|
| Q1,101  | 2SC644  | Transistor  | 1.80 | D401,505,603,801                         | 1SS53                | Diode                | .55   |
| Q2,102,901,902,903,904,905,907                          |         |             |      | D402                                     | 1TT410               | Vari-Cap Diode       | .85   |
| Q401,801  | 2SC1815 | Transistor  | 1.10 | D501,502,503,504,506,507,608,901,901-910 | 1S1588               | Diode                | 1.00  |
| Q402  | 2SK49   | F.E.T.      | 1.50 | D601,606                                 | 1S953                | Diode                | .85   |
| Q403  | 2SC1047 | Transistor  | 1.60 | D602,604,605                             | 1S188                | Diode                | .50   |
| Q501  | 2SC1359 | "           | 1.60 | D609                                     | MZ310A               | Zener Diode          | .75   |
| Q601,603  | 2SC828  | "           | 1.70 | D802,803                                 | 1S2139               | Vari-Cap Diode       | 2.45  |
| Q602  | 2SC941  | "           | 1.30 | IC1,101                                  | TA7205P              | I.C., AUDIO AMP      | 6.55  |
| Q604  | 2SC829  | "           | 1.85 | IC501                                    | SN76600P             | I.C., IF             | 3.80  |
| Q604  | 2SD355  | "           | 1.50 | IC502                                    | SN76642              | I.C., IF             | 3.80  |
| Q802  | 2SC1674 | "           | 1.35 | IC503                                    | SN76115              | I.C., MPX            | 5.70  |
| Q803  | 2SC1675 | "           | 1.35 |  |                      |                      |       |
| Q906  | 2SC982  | "           | 1.55 |  |                      |                      |       |
| D1  | 10D2    | Diode       | .70  |  |                      |                      |       |
| CB  |         |             |      |  |                      |                      |       |
| Q1101   | 2SC1306 | Transistor  | 3.20 | D1301                                    | RD9,1EB              | Zener Diode          | 1.60  |
| Q1102   | 2SC1957 | "           | 3.50 | D1112,1114,1117,1501                     | F14A                 | Rectifier            | 1.40  |
| Q1103,1301,1302,1303,1304,1305,1306,1307,1038,1402,1405 |         |             |      | D1113                                    | 1S1209               | Varistor             | .85   |
| Q1104,1105  | 2SC1675 | Transistor  | 1.30 | D1120,1122                               | RD6.2                | Zener Diode          | 2.50  |
| Q1106,1111  | 2SC1096 | Transistor  | 3.40 | D1121                                    | RD5.1                | " "                  | 1.60  |
| Q1108,1404,1501,1503                                    | 2SC815  | Transistor  | 2.00 | D1123                                    | VD1221               | Varistor             | 1.20  |
| Q1110   | 2SC945  | Transistor  | 1.50 | D1124                                    | 1S2473               | Diode                | 1.05  |
| Q1401,1403  | 2SC1775 | "           | 2.20 | D1302,1401,1402                          | 1S2473, 1S953, 1SV50 | Diode                | 1.05  |
| Q1502   | 2SK19   | F.E.T.      | 4.40 | D1303                                    |                      | Vari-Cap Diode       | 3.60  |
| D1101,1102,1115,1119,1124                               | 2SB564  | Transistor  | 1.15 | D1403,1404,1502,1503,1504                |                      |                      |       |
| D1108,1109,1125,1126                                    | 1S953   | Diode       | .85  | D1601,1602                               | 1S1555               | Diode                | 1.05  |
| D1111   | 1N60    | Diode       | .95  | LED1601                                  | 1S953                | Diode                | .85   |
|   | RD9,1EB | Zener Diode | 1.60 | IC1101,1104                              | SLP1271              | L.E.D.               | 16.95 |
|   |         |             |      | IC1102,1103                              | SL1611               | I.C.                 | 13.70 |
|   |         |             |      | IC1105,1106                              | SL1641               | I.C.                 | 13.75 |
|   |         |             |      | IC1107                                   | SL1612               | I.C.                 | 13.70 |
|   |         |             |      | IC1110                                   | SL1623               | I.C.                 | 17.00 |
|   |         |             |      | IC1301                                   | SL1626               | I.C.                 | 17.00 |
|   |         |             |      | IC302                                    | MC78L05CP            | I.C.                 | 7.65  |
|   |         |             |      | IC1303                                   | SN74LS04             | I.C.                 | 6.50  |
|   |         |             |      | IC1501N                                  | uPD861C              | I.C.                 | 39.95 |
|   |         |             |      |  | M5847641P            | I.C., Segment Driver | 33.40 |

### CAPACITORS

| AM/FM & TAPE     |  |                               |  |  |  |                                 |  |
|------------------|--|-------------------------------|--|--|--|---------------------------------|--|
| C1,101,515       |  | Polyester, 1,000 pF ± 10%/50V |  | C409,412   |  | Ceramic, 15pF ±5% /50V          |  |
| C527,528         |  | " 0.0047 uF, ±10% 50V         |  | C403,802,803   |  | " 18pF " "                      |  |
| C608             |  | " 0.0068 uF, " "              |  | C602   |  | " 22pF " "                      |  |
| C501,503,603,609 |  | " 0.01 uF, ±5% " "            |  | C417   |  | " 27pF " "                      |  |
| C3,103           |  | " 0.015 uF, " " "             |  | C601   |  | " 33pF " "                      |  |
| C526             |  | Polyethylene, 470 pF, ±5% " " |  | C10,110  |  | " 47pF " "                      |  |
| C607             |  | " 680 pF, " " "               |  | C606   |  | " 68pF " "                      |  |
| C525,524         |  | Polyester, 0.022 uF, ±10% " " |  | C13,113,605,610,611  |  | Ceramic, 100pF " "              |  |
| C14,114,522      |  | Tantalum, 0.22 uF/35V " "     |  | C513   |  | " 330pF " "                     |  |
| C523,620         |  | " 0.47 uF/35V " "             |  | C411   |  | " 390pF " "                     |  |
| C420             |  | Gimmick, 1.5 pF/50V " "       |  | C619   |  | " 560pF +10% /50V               |  |
| C408,802         |  | Ceramic, 2 pF/50V " "         |  | C913,914   |  | " 0.001uF +80% -20% /50V        |  |
| C421             |  | " 3 pF/50V " "                |  | C413   |  | " 0.0047uF +80% " "             |  |
| C404,815,816     |  | " 4 pF/50V " "                |  | C406,502,600   |  | " 0.01 " " "                    |  |
| C410,419,804     |  | " 5 pF/50V " "                |  | C402,414,415,422,423,504,505,506,507,508,510,514,519,612,615 |  | Ceramic, 0.022uF +80% -20% /50V |  |
| C407,814         |  | " 8 pF/50V " "                |  |  |  |                                 |  |
| C416,810         |  | " 10 pF/50V " "               |  |  |  |                                 |  |
| C405,418,509,812 |  | " 12 pF/50V " "               |  |  |  |                                 |  |

| REF. NO. | DESCRIPTION | REF. NO. | DESCRIPTION |
|----------|-------------|----------|-------------|
|----------|-------------|----------|-------------|

(CONTINUED)

### CAPACITORS

| AM/FM & TAPE  |               |                           |  |
|---|---------------|---------------------------|--|
| C6,11,111,401,518<br>106,614,616,622  | Ceramic,      | 0.1uF/12V                 |  |
| C5,79105,107,511,<br>520,529,530,604,<br>901,902,904,905,<br>907,908,911,912,<br>915,916  | Electrolytic, | 1uF/50V                   |  |
| C617  | "             | 2.2uF/25V                 |  |
| C2,102  | "             | 4.7uF/25V                 |  |
| C4,104,512,516,<br>517,521,623,613,<br>903,910  | Electrolytic, | 10uF/16V                  |  |
| C621  | "             | 100uF/16V                 |  |
| C15,17,115  | "             | 470uF/16V                 |  |
| C16,116   | "             | 1,000uF/16V               |  |
| C8,12,108,112   | "             | 47uF/10V                  |  |
| C906  | "             | 100uF/10V                 |  |
| C9,109,900  | "             | 220uF/10V                 |  |
| CB  |               |                           |  |
| C1334   | Ceramic,      | 2pF/50V                   |  |
| C1316,1345  | "             | 3pF/50V                   |  |
| C1333   | "             | 4pF/50V                   |  |
| C1146,1304,1320,<br>1401  | Ceramic,      | 5pF/50V                   |  |
| C1312,1331,1332,<br>1347,1362   | Ceramic,      | 10pF/50V                  |  |
| C1107   | "             | 12pF/50V                  |  |
| C1348,1366  | "             | 15pF/50V                  |  |
| C1148,1405  | "             | 22pF/50V                  |  |
| C1314,1324  | "             | 27pF/50V                  |  |
| C1142,1343,1354   | "             | 33pF/50V                  |  |
| C1156   | "             | 39pF/50V                  |  |
| C1328,1336,1337,<br>1339,1325   | Ceramic,      | 47pF/50V                  |  |
| C1124   | "             | 56pF/50V                  |  |
| C1315,1317,1322,<br>1323,1326   | Ceramic,      | 68pF/50V                  |  |
| C1310   | "             | 82pF/50V                  |  |
| C1102,1140,1307,<br>1308,1329,1346,<br>1363,1263  | Ceramic,      | 100pF/50V                 |  |
| C1201,1305,1309   | "             | 150pF/50V                 |  |
| C1138   | "             | 180pF/50V                 |  |
| C1109,1121,1126,<br>1313,1344,1365,<br>1410,1601,1602,<br>1605,1606   | Ceramic,      | 1000pF/50V                |  |
| C1342   | "             | 470pF/50V                 |  |
| C1104,1105,1108,<br>1110,1114,1120,<br>1123,1125,1139,<br>1147,1180,1184,<br>1190,1243,1244,<br>1245,1246,1247,<br>1248,1249,1250 | Ceramic,      | 0.01uF/50V                |  |
| C1321   | Tantalum,     | 1uF/25V                   |  |
| C1341   | "             | 6.8uF/25V                 |  |
| C1327   | Tantalum,     | 0.1uF/35V                 |  |
| C1251,1252,1318,<br>1319,1306-1,1335,<br>1338,1340,1351,<br>1352,1353,1364,<br>1402,1403,1406,<br>1407,1411,1412,                 | Ceramic,      | 0.01uF/50V                |  |
| C1254 ~ C1262   | "             | 0.022uF/50V               |  |
| C1106,1306  | "             | 0.022uF/50V               |  |
| C1103,1141,1157,<br>1367  | Ceramic,      | 0.047uF/50V               |  |
| C1112,1116,1128,<br>1145  | Ceramic,      | 0.1uF/50V                 |  |
| C1408   | Mica,         | 47pF/50V                  |  |
| C1144,1138-2  | "             | 82pF/50V                  |  |
| C1143,1409,1201   | "             | 150pF/50V                 |  |
| C1152   | "             | 220pF/50V                 |  |
| C1153   | "             | 300pF/50V                 |  |
| C1165   | Mylar,        | 1000pF/50V                |  |
| C1158,1159  | "             | 2000pF/50V                |  |
| C1163,1188  | "             | 0.0047uF/50V              |  |
| C1136,1173,1177,<br>1603,1607   | Mylar,        | 0.01uF/50V                |  |
| C1129   | "             | 0.1uF/50V                 |  |
| C1170   | "             | 0.22uF/50V                |  |
| C1181   | Electrolytic, | 47uF/16V                  |  |
| C1130,1132,1134,<br>1179,1604   | Electrolytic, | 1uF/16V                   |  |
| C1131,1162  | "             | 2.2uF/16V                 |  |
| C1164   | "             | 4.7uF/16V                 |  |
| C1113,1117,1160,<br>1176,1178,1302,<br>1303   | Electrolytic, | 10uF/16V                  |  |
| C1301   | "             | 33uF/16V                  |  |
| C1127,1161,1168   | "             | 47uF/16V                  |  |
| C1118,1122,1135   | "             | 100uF/16V                 |  |
| C1171,1172,1174   | "             | 220uF/16V                 |  |
| C1175   | "             | 1000uF/16V                |  |
| C1183,1186  | "             | 1uF/50V                   |  |
| C1121 ~ C1242   | Feed-Thru     | 2200pF(See CHOKES, COILS) |  |

### RESISTORS

(CARBON, OHMS 0.25c OR NOTED)

| AM/FM & TAPE   |                         |  |                          |  |                          |  |   |
|--|-------------------------|--|--------------------------|--|--------------------------|--|---|
| Ref. No.   | Description             | Ref. No.   | Description              | Ref. No.   | Description              | Ref. No.   | Description   |
| R608,624   | 15 Ohm, $\frac{1}{4}W$  | R610,902   | 1k Ohm, $\frac{1}{4}W$   | R6,106   |                          | R529,530   | 33k Ohm, $\frac{1}{4}W$   |
| R501,508   | 22 " "                  | R605   | 1.5k Ohm, $\frac{1}{4}W$ | 409,619,<br>923,924,<br>927                            | 6.8k Ohm, $\frac{1}{4}W$ | R1,101,<br>616   | 47k Ohm, $\frac{1}{4}W$   |
| R401   | 33 " "                  | R9,109,<br>521,609,<br>907,909                                 | 2.2k Ohm, $\frac{1}{4}W$ | R3,103,<br>410,903,<br>914,917,<br>918,928,<br>929,930 | 10k Ohm, $\frac{1}{4}W$  | R510,904,<br>905,911,<br>913,931,<br>932,939,<br>940             | 68k Ohm, $\frac{1}{4}W$   |
| R408,519,<br>603,612,<br>615,617,<br>625                                 | 100 Ohm, $\frac{1}{4}W$ | R403,405,<br>504,513,<br>522,523,<br>601,606,<br>938,941       | 3.3k Ohm, $\frac{1}{4}W$ | R402,516,<br>525,611,<br>613,618                       | 15k Ohm, $\frac{1}{4}W$  | R5,7,105,<br>107,411,<br>412,514,<br>515,901,<br>934,935,<br>936 | 100k Ohm, $\frac{1}{4}W$  |
| R10,110  | 120 " "                 | R8,108,<br>407,526,<br>528,607,<br>620,912,<br>920,921,<br>922 | 3.9k " "                 | R517,621,<br>906,908,<br>910,916,<br>919,926,<br>937   | 2.2k Ohm, $\frac{1}{4}W$ | R604<br>R900<br>R518<br>R11                                      | 220k Ohm, $\frac{1}{4}W$<br>470k " "<br>680k " "<br>3.3 Ohm, $\frac{1}{4}W$ |
| R10,110  | 150 " "                 |  |                          |  |                          |  |   |
| R506,614   | 180 " "                 |  |                          |  |                          |  |   |
| R2,102   | 220 Ohm, $\frac{1}{4}W$ |  |                          |  |                          |  |   |
| R511,527,<br>622   | 330 Ohm, $\frac{1}{4}W$ |  |                          |  |                          |  |   |
| R507,512,<br>602,623   | 470 " "                 |  |                          |  |                          |  |   |
| R509   | 680 " "                 |  |                          |  |                          |  |   |
| R520   | 1k Ohm, $\frac{1}{4}W$  |  |                          |  |                          |  |   |
| R404,502,<br>505,524   |                         |  |                          |  |                          |  |   |
| CB   |                         |  |                          |  |                          |  |   |
| R1136  | 1 Ohm, $\frac{1}{4}W$   | R1106,1107,1308,<br>1317,1319                                  | 330 Ohm, $\frac{1}{4}W$  | R1318,1412   | 1.8k Ohm, $\frac{1}{4}W$ |  |   |
| R1134,1503   | 10 Ohm, $\frac{1}{4}W$  | R1159,1302,1337  | 470 " "                  | R1108,1113   | 2.2k " "                 |  |   |
| R1131  | 22 " "                  | R1154,1320,1322,<br>1339                                       | 560 Ohm, $\frac{1}{4}W$  | R1132,1331,1511  | 2.7k " "                 |  |   |
| R1135  | 33 " "                  | R1338  | 680 " "                  | R1110,1116,1404  | 3.3k " "                 |  |   |
| R1133,1151,1150  | 47 " "                  | R1327,1329   | 820 " "                  | R1138,1330   | 3.9k " "                 |  |   |
| R1202  | 82 " "                  | R1140,1305,1335  | 1k " "                   | R1502,1509,1404  | 4.7k " "                 |  |   |
| R1102,1103,1111,<br>1112,1114,1312,<br>1402,1403,1406,<br>1407,1411,1153 | 100 Ohm, $\frac{1}{4}W$ | R1507  | 1.2k " "                 | R1307,1313,1336  | 5.6k " "                 |  |   |
| R1309  | 180 " "                 | R1109,1115,1147,<br>1324,1325                                  | 1.5k Ohm, $\frac{1}{4}W$ | R1121,1122   | 6.8k " "                 |  |   |
| R1127,1174,1321  | 220 " "                 | R1128,1164,1168,<br>1173,1114,1124                             | 1.8k Ohm, $\frac{1}{4}W$ | R1304,1316,1148,<br>1506,1512,1415,<br>1601            | 10k Ohm, $\frac{1}{4}W$  |  |   |
| R1162  | 270 " "                 |  |                          | R1118,1125,1501  | 12k " "                  |  |   |
|  |                         |  |                          | R1306  | 15k " "                  |  |   |

| REF. No. | DESCRIPTION | REF. No. | DESCRIPTION | REF. No. | DESCRIPTION |
|----------|-------------|----------|-------------|----------|-------------|
|----------|-------------|----------|-------------|----------|-------------|

(CONTINUED)

### RESISTORS

| CB               |                          |                  |                           |            |                                |
|------------------|--------------------------|------------------|---------------------------|------------|--------------------------------|
| R1131,1117,1311  | 18k Ohm, $\frac{1}{4}$ W | R1120,1314,1315, |                           | R1409,1410 | 1M Ohm, $\frac{1}{4}$ W        |
| R1165,1163,1405  | 22k " "                  | 1323,1326,1328,  |                           | R1160      | 30 Ohm, $\frac{1}{2}$ W(metal) |
| R1172,1310       | 33k " "                  | 1334,1401        | 100k Ohm, $\frac{1}{4}$ W | R1301      | 100 Ohm, $\frac{1}{2}$ W       |
| R1169,1504       | 39k " "                  | R1339,1414       |                           | R1152      | 0.47 Ohm, 1W(metal)            |
| R1126,1149,1166, |                          | R1332            |                           | R1155      | 47 Ohm, 1W(wire wound)         |
| 1303,1505        | 47k " "                  | R1201            |                           | R1161      | 82 Ohm, 1W (solid)             |

| REF. No. | DESCRIPTION | REF. No. | DESCRIPTION | REF. No. | DESCRIPTION |
|----------|-------------|----------|-------------|----------|-------------|
|----------|-------------|----------|-------------|----------|-------------|

### MECHANISM, CABINET & CHASSIS

### HARDWARE

(25¢ each or noted)

|    |                       |    |                     |    |                    |    |                        |
|----|-----------------------|----|---------------------|----|--------------------|----|------------------------|
| 60 | Scr, Hex Hd, M3x12    | 68 | Tapp Scr, PH M3x6   | 76 | Scr, BH M2x4       | 84 | Scr, BH M3x6           |
| 61 | Scr, BH M2.6x9        | 69 | Scr, BH M3x5        | 77 | Scr, BH M2.6x5     | 85 | E Ring, M2.0           |
| 62 | Hex Nut, M2.6         | 70 | " " M3x4            | 78 | " " M2x3           | 86 | Hex Nut, M6            |
| 63 | Scr, BH M2.6x4        | 71 | Scr w/Wshr, PH M3x5 | 79 | E Ring, M1.2       | 87 | Plain Washr, M6.1x10x1 |
| 64 | Rivet, FH M5x2.5x4    | 72 | Scr, PH M3x6        | 80 | Scr, FH M2.6x4     | 88 | E Ring, M3.2           |
| 65 | Scr, FH M2.6x4        | 73 | Scr, BH M2x7        | 81 | " " M3x6           | 89 | Scr, BH M3x4 (Blk)     |
| 66 | Plain Wshr, M10x2.4x4 | 74 | Scr, PH M2x3        | 82 | " " M3x4           | 90 | Scr, PH M2x8           |
| 67 | Nylon Nut, M3         | 75 | Scr, BH M3x3        | 83 | Scr, BH M3x6 (Blk) |    |                        |

### MICROPHONE CABINET

|     |                      |     |                      |     |                     |     |                      |
|-----|----------------------|-----|----------------------|-----|---------------------|-----|----------------------|
| 537 | Scr, PH M2x4         | 540 | Tapp Scr, PH M2.3x8  | 543 | Hex Nut, M2.6       | 583 | Hex Nut, M2          |
| 538 | " " M2x5             | 541 | Tapp Scr, PH M3.1x10 | 544 | Spr Wshr, M2.6      | 584 | Scr, Hex Head M1.7x4 |
| 539 | Tapp Scr, PH M2.6x10 | 542 | Tapp Scr, PH M3.1x13 | 582 | Tapp Scr, PH M2.6x5 |     |                      |

### CB CABINET & CHASSIS

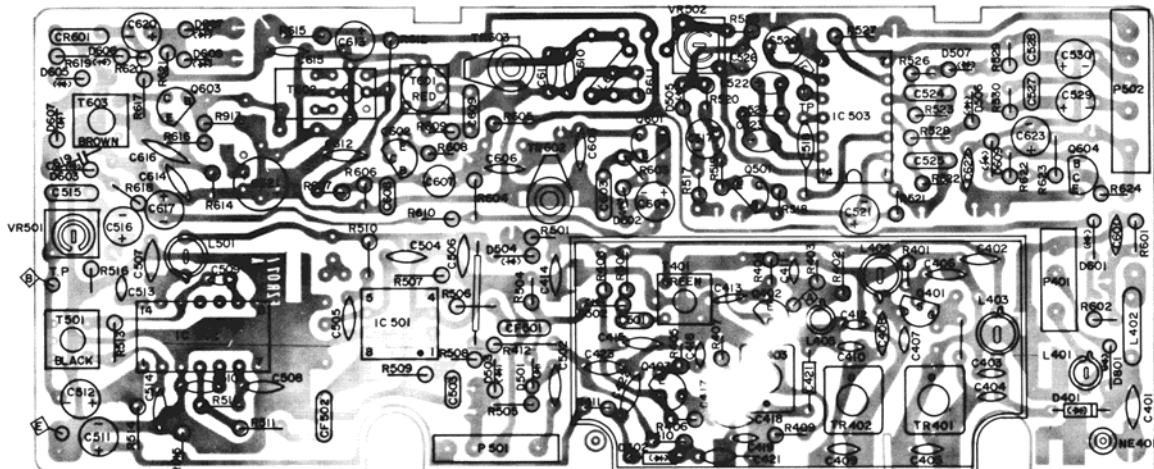
|     |                    |     |                  |     |                  |     |                |
|-----|--------------------|-----|------------------|-----|------------------|-----|----------------|
| 573 | Scr, w/W PH M2.6x5 | 576 | Scr, w/W PH M3x6 | 578 | Blk Scr, PH M3x6 | 580 | Spr Wshr, M2.6 |
| 574 | " " PH M2.6x5      | 577 | Scr, PH M3x4     | 579 | Hex Nut, M2.6    | 581 | Washer, M2.6   |
| 575 | " " PH M2.6x5      |     |                  |     |                  |     |                |

### PACKAGING

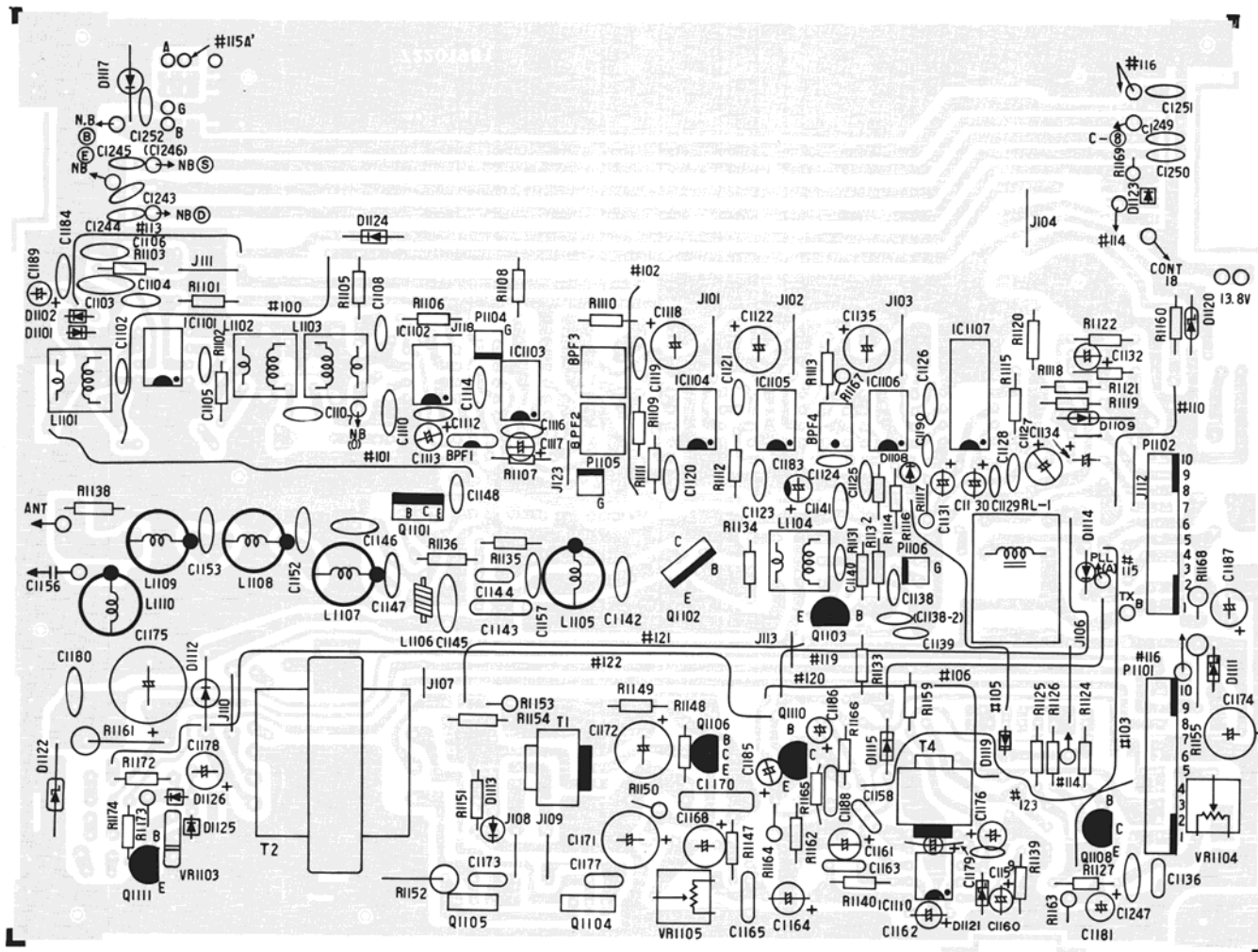
| REF. No. | CRAIG KEY No. | DESCRIPTION                        | MFR's SUGG RET. PRICE | REF. No. | CRAIG KEY No. | DESCRIPTION                        | MFR's SUGG RET. PRICE |
|----------|---------------|------------------------------------|-----------------------|----------|---------------|------------------------------------|-----------------------|
|          | L630001       | Main Individual Carton             | 4.50                  |          | L630629       | 9P Pwr & SP Conn (car side)        | 5.95                  |
|          | S630002       | Styrofoam(L), AM/FM/TAPE           | .65                   |          | 3149004       | Ass'y, Mtg Hardware Kit            | 1.95                  |
|          | S630003       | Styrofoam(R), AM/FM/TAPE           | .65                   |          | 3148021       | Knob, VOL/ON-OFF/PROG & TUNING     | .80                   |
|          | 9744100       | Gasket                             | 2.10                  |          | 3148020       | Knob, TONE/BAL & RADIO/CB/WB       | .75                   |
|          | 3128054       | Bkt, Perforated Mtg Strap          | .40                   |          | L630507       | Ass'y. REMOTE MICROPHONE(complete) | 110.00                |
|          | L630083       | Ass'y, Trim Plate                  | 2.75                  |          | L630231       | Microphone Hanger w/Hardware       | 2.50                  |
|          | S680007       | Trim Plate(Stripped)               | 1.85                  |          | L630002       | Individual Carton, MICROPHONE      | 1.45                  |
|          | L630084       | Index Label(L), PRO/VOL/TONE/BAL   | .45                   |          | L630003       | Cardboard/Styrofoam Filler, CB     | 1.50                  |
|          | L630085       | Index Label(R), TUNING/RADIO/CB/WB | .45                   |          |               |                                    |                       |

### AM/FM RF/IF/MPX PCB

(Top View)

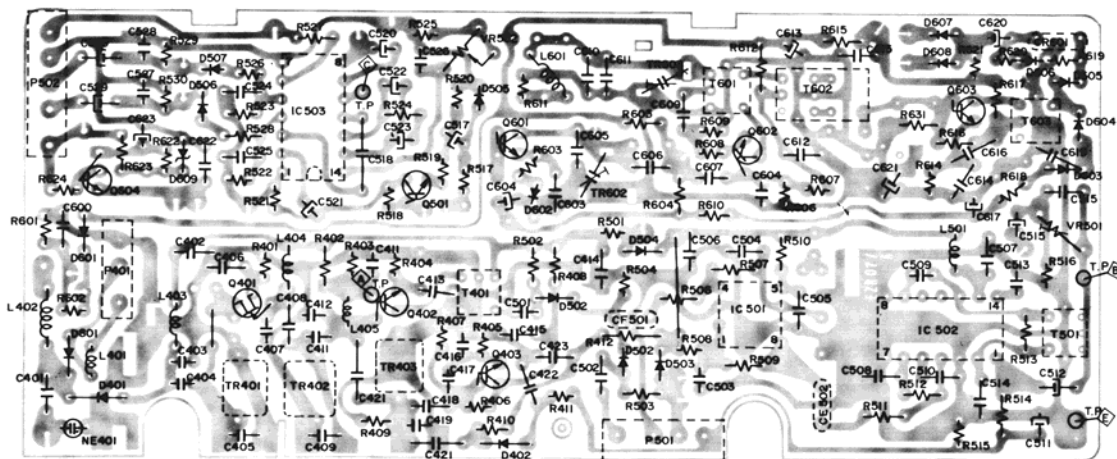


# CB MAIN PCB



# AM/FM RF/IF/MPX PCB

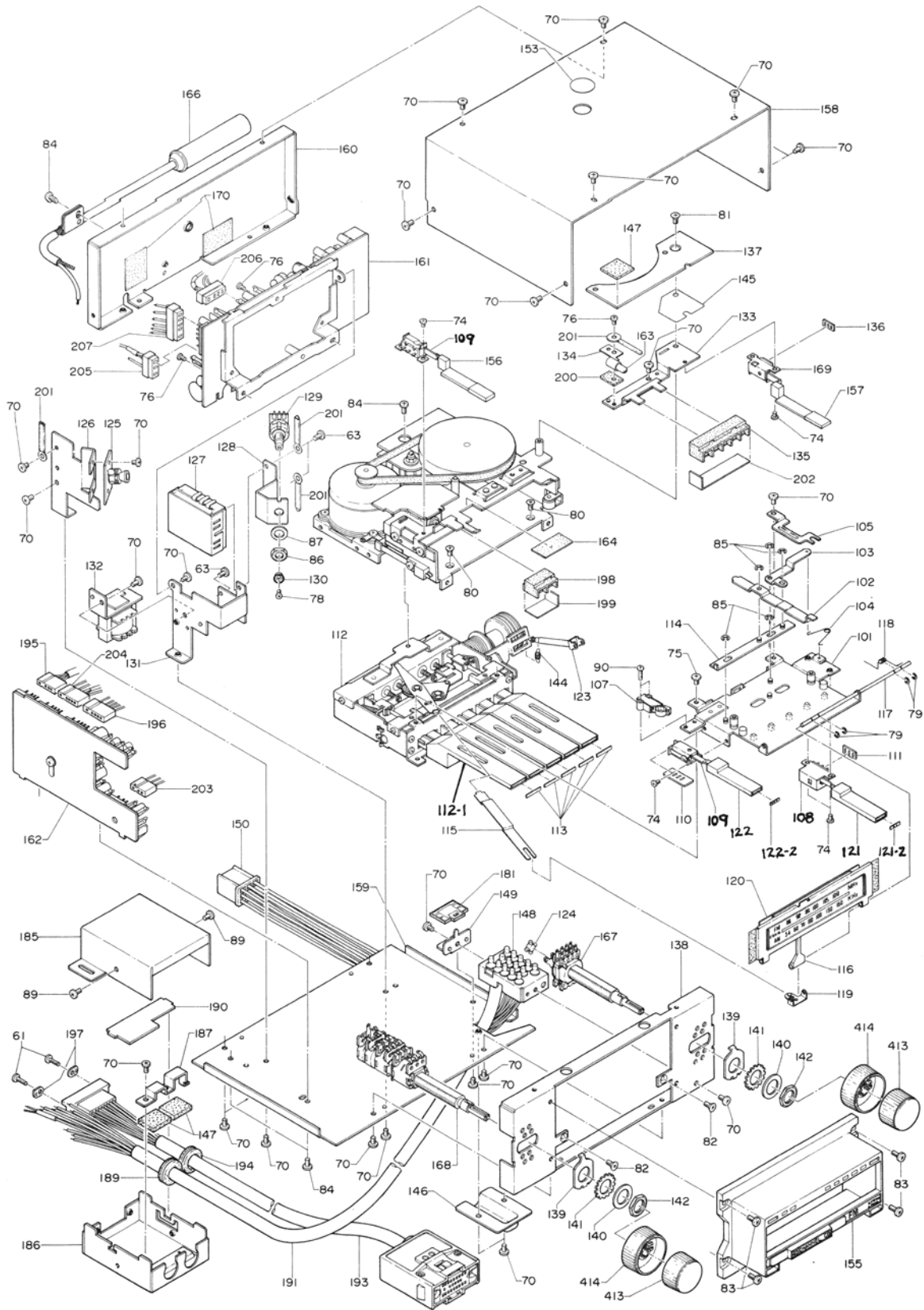
(Bottom View)



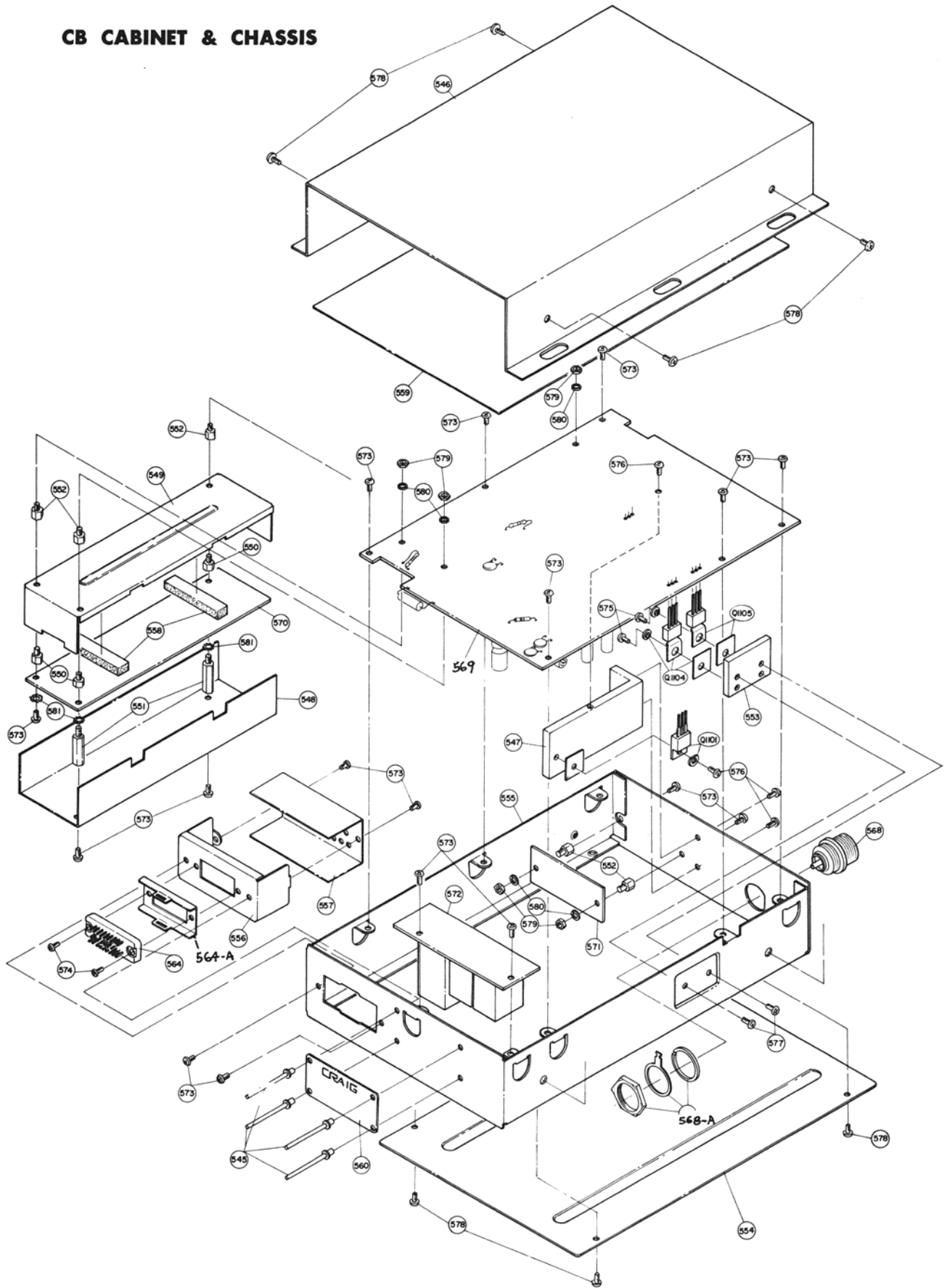




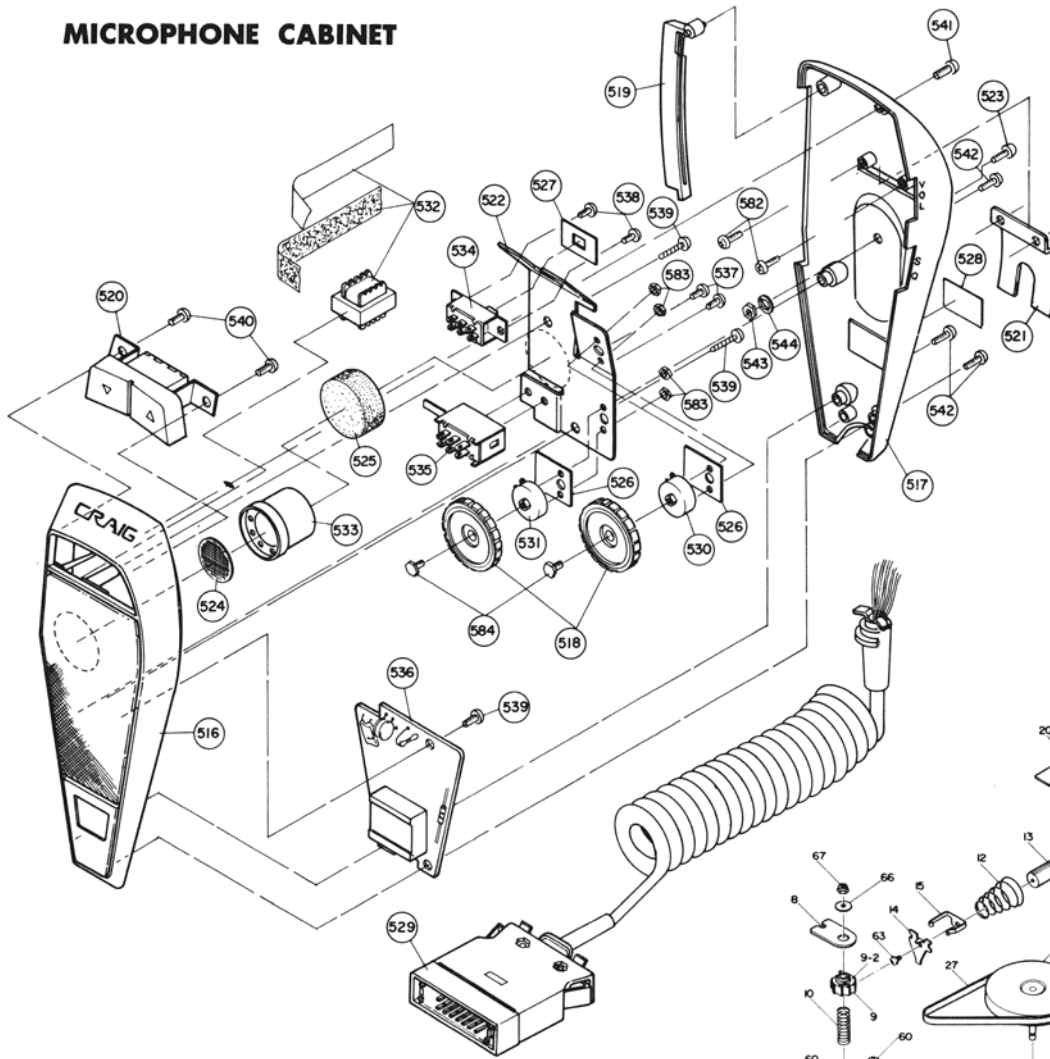
# AM/FM & TAPE CAB & CHASSIS



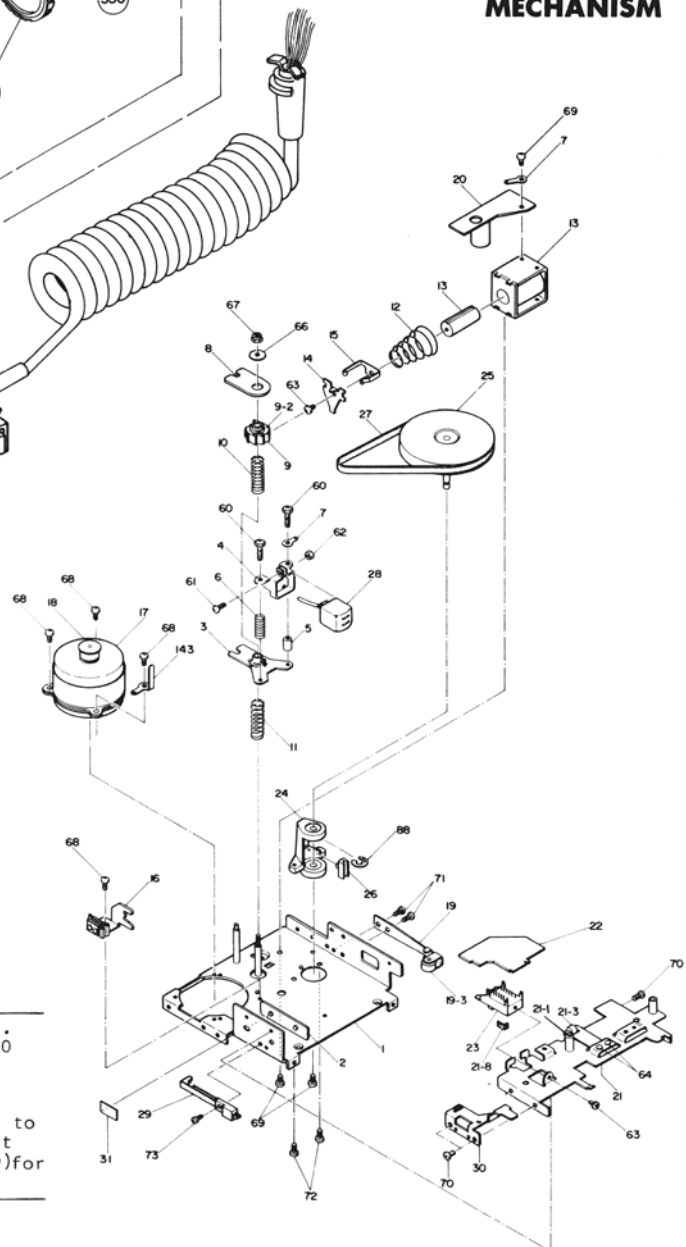
# CB CABINET & CHASSIS



## MICROPHONE CABINET



## MECHANISM



## MECHANISM ADJUSTMENTS

**HEAD AZIMUTH:** Insert a standard Azimuth Test Cartridge. Adjust the azimuth adj screw (Ref. No. 60 on MECHANISM exploded view) for maximum output.

**CROSSTALK:** Insert a standard test cartridge. Set unit to program #3 and adjust the head height adjust nut (Ref. No. 67 on MECHANISM exploded view) for minimum output.

# ALIGNMENT PROCEDURES

Alignment is performed at factory with laboratory test equipment. Therefore, before alignment is attempted the unit should be thoroughly checked for circuit trouble.

## EQUIPMENT REQUIRED

- 1) Power Supply (14 V DC, 2A)
- 2) V.T.V.M.
- 3) AM & FM Signal Generators
- 4) Sweep & Marker Generators
- 5) OSCILLOSCOPE
- 6) FM Stereo Modulator
- 7) Digital Frequency Counter
- 8) AM & FM Dummy Ant.(Fig. 1 & 2)
- 9) Audio Signal Generator
- 10) RF Power Meter
- 11) Pulse Generator
- 12) 50 Ohm Dummy Ant. Load
- 13) Synchroscope
- 14) CB Signal Generator
- 15) Spectrum Analyzer

## NOTES:

- \* Non-metalic tools should be used
- \* Keep Generator signal level as low as possible to avoid clipping.
- \* Volume control should be set to minimum unless otherwise specified.
- \* Set TONE Control to maximum treble.
- \* Standard Modulation is 400 Hz at 30% amplitude for AM (1kHz at 22.5 Hz deviation for FM).
- \* Connect low side of Signal Source and output indicator to chassis GND unless otherwise specified.

## CB PLL

| STEP | ADJUSTING CIRCUIT       | CONNECTIONS   |  | GEN. FREQ'CY | ADJUST                    | REMARKS  |
|------|-------------------------|---|--|--------------|---------------------------|--|
|      |                         | INPUT   | OUTPUT   |              |                           |  |
| 1    | PWR Supp.               | Confirm output of IC1301 to be +5V ± 0.5V DC  |  |              |                           |  |
| 2    | VCO                     | Set to CHANNEL 18 in RECEIVE mode, no signal  | Connect "TP4" (VCO output) to CH-1 on SYNCHROSCOPE, "TP6" to CH-2 and connect FREQUENCY COUNTER to SCOPE output. |              | L1306                     | Obtain a reading of 37.870 MHz ± 800 Hz<br>(See VCO FREQ'CY chart) |
| 3    | BPF                     |   | Connect SYNCHROSCOPE to "TP3"  |              | L1305<br>L1304            | Adjust for maximum output(0.5 V p-p minimum)                       |
| 4    | OSC OUTPUT              | Connect SYNCHROSCOPE & FREQUENCY COUNTER to "TP2", Key Mic to TRANSMIT (CH-18) and confirm OSC output to be 10.695 MHz.   |  |              |                           |  |
| 5    | FREQ'CY                 | Set to CHANNEL 18 in RECEIVE mode, no signal  | Connect SYNCHROSCOPE, FREQ'CY COUNTER & SPECTRUM ANALYZER to "TP1"   |              | L1303,<br>L1302,<br>L1301 | Adjust in ORDER 3-2-1 for max output(0.5V p-p min)                 |
| 6    | FREQ'CY                 |   |  |              | TC1301                    | Adj for 27.175MHz  |
| 7    | SPURIOUS RESPONSE RATIO | Connect a SPECTRUM ANALYZER in place of SYNCHROSCOPE and confirm all channels to be 60dB minimum within band(1MHz/div.). 60dB or better can be obtained by adjusting the core of L1304 & L1305 rotating within a ¼ of a turn. |  |              |                           |  |

## RECEIVER

|  |               |   |   |   |                           |  |
|--|---------------|---|---|---|---------------------------|--|
| (A) Set function Switch(S3) and PA/CB Switch(S1602) to "CB". |               | (C) Set Mic VOLUME control slightly above min.  |   |   |                           |  |
| (B) Set NB Swtich(S8) and STBY Switch(S9) to "OFF".          |               | (D) Set SQUELCH control at minimum.   |   |   |                           |  |
| 1  | SENSITIVITY   | Connect a CB Signal Gen. to CB antenna connector, set unit to CH-18 and apply 30-60 dB  | Connect SCOPE, VTVM to speaker output with a 4 Ohm load across. | (30-60dB)<br>1kHz, 30%<br>Mod.                  | L1101,<br>L1102,<br>L1103 | Adjust for Maximum output  |
| 2  | TIGHT SQUELCH |   |   | apply +15 dB (280uV closed)<br>1kHz 30%<br>Mod. | VR1104                    | Adjust to obtain AF output of 250mW (4 Ohm = 1V) at tight SQUELCH  |
| 3  |               | Extract core of L1403, Insert core of L1402 all the way down. Short out pins 7 & 9 of P1102 which will short out NL circuit. Adjust AF output to 1 V p-p w/Volume control while monitoring SYNCHROSCOPE (see Fig. 3). |   |   |                           |  |
| 4  | NOISE BLANKER | Connect CB Signal Gen. PULSE Gen. to CB Ant. connector. De-energize PULSE Gen. & set to 1Vp-p, attenuator to OUT & FREQUENCY control to 100 pulses/Sec.(Fig. 4)   | Connect SCOPE to speaker output with a 4 Ohm load across.       | (10-12dB)<br>1kHz, 30%<br>Mod.                  | L1402,<br>L1403           | Depress NB Sw(S8), adjust pulse leap to be less than 20mm (see Fig. 5). Remove shorting between pins 7 & 9 of P1102 and see Fig. 6 |

## TRANSMITTER

|   |                           |   |   |                   |   |   |
|---|---------------------------|---|---|-------------------|---|---|
| 1 | TX OUTPUT                 | Connect an Audio Signal Gen to Mic input (CH-18)            | Connect an RF Power Meter with 50 Ohm dummy load, SCOPE to CB Antenna | 1 kHz 30-50% Mod. | L1104,<br>L1105,<br>L1107,<br>L1108,<br>L1109 | Adjust for Max output at each coil, then, adjust for standard output. (3.5 - 4.0 Watts) |
| 2 | TX Mod. OUTPUT            | Same as above & apply 3 mV (600 Ohms)                       |   |                   | VR1105  | Not to exceed 85% Mod.  |
| 3 | MODULATION INDICATOR LAMP | Connect an Audio Signal Generator to Mic input (CHANNEL 18) | Same as above and connect DC Volt Meter across R1174                  | 1 kHz (No Mod.)   | VR1103  | Adjust to obtain 11 V DC  |

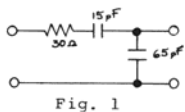


Fig. 1

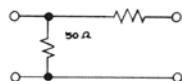


Fig. 2

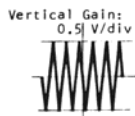


Fig. 3

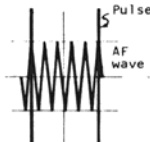


Fig. 4

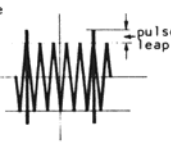


Fig. 5

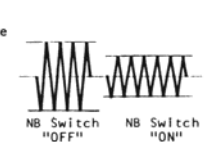


Fig. 6

# AM

| STEP | ADJUSTING CIRCUIT   | CONNECTIONS   |  | GEN. FREQ'CY      | DIAL SETTING | ADJ.           | AJUST FOR  |
|------|---|---|--|-------------------|--------------|----------------|--|
|      |   | INPUT   | OUTPUT   |                   |              |                |  |
| 1    | AM IF   | Connect Signal Generator thru dummy Ant. (Fig 1) to antenna receptacle. | Connect Scope, VTVM to audio output, with a 4 Ohm dummy load in place. | 455kHz (30% Mod.) | Off Station  | T602<br>T603   | Max. symmetrical response.   |
| 2    | AM OSC  |   |  | 500kHz<br>±10 kHz | Low End      | T601           | Adjust together with radio dial rotating gently back & forth for Max. output |
| 3    |   |   |  | 1690kHz<br>±10kHz | High End     | TR603          | Maximum output   |
| 4    | AM RF   |   |  | 1400 kHz          | 1400kHz      | TR602<br>TR601 |  |
| 5    | Repeat adjustments until no further improvement is noticed. |   |  |                   |              |                |  |

# FM /MPX

|   |                   |   |   |                |                          |                         |  |
|---|-------------------|---|---|----------------|--------------------------|-------------------------|--|
| 1 | FM IF             | Connect FM sweep Generator to test point $\diamond$ A                                 | Connect Scope, VTVM to test point $\diamond$ B                          | 10.7MHz        | Off Station              | T401                    | Maximum Output                                     |
| 2 | DETECTOR          |   |   |                |                          | TR501                   | Symmetrical "N" curve                              |
| 3 | RF                | Connect FM Signal Generator thru dummy Ant. (fig. 2) to Ant receptacle                | Connect VTVM, Scope to audio output with a 4 Ohm dummy load in place    | 108 MHz (Mod.) | Low End                  | TR401<br>TR402<br>TR403 | Maximum output                                     |
| 4 | 19 kHz Pilot      |   | Connect a Frequency Counter to Test Point $\diamond$ (Pin #10 of IC503) |                | Tune to a stereo station | VR502                   | Obtain a reading of 19.0 kHz                       |
| 5 | STEREO SEPARATION | Connect FM Signal Gen w/Stereo Signal modulator thru dummy antenna to Ant receptacle. | Connect VTVM to audio output with a 4 Ohm dummy load in place.          | 98 MHz (Mod.)  | 98 MHz                   | VR501                   | Minimum R(L) output when L(R) signal is Modulated. |

NOTE: Adjustment for STEREO Separation may not be necessary after adjusting VR502.

# WB

Set Unit to weather reception and VR801(Weather band fine tuning) to middle.

|   |         |  |  |            |  |              |                |
|---|---------|--|--|------------|--|--------------|----------------|
| 1 | WEATHER | Connect FM Signal Gen. thru dummy antenna to Ant receptacle. | Connect VTVM to audio output with a 4 Ohm Dummy load in place. | 162.55 MHz |  | T801<br>L803 | Maximum Output |
|---|---------|--|--|------------|--|--------------|----------------|

## ----- V C O F R E Q U E N C Y C H A R T -----

| CH | FREQUENCY | CH | FREQUENCY | CH | FREQUENCY | CH | FREQUENCY | CH | FREQUENCY |
|----|-----------|----|-----------|----|-----------|----|-----------|----|-----------|
| 1  | 37.660    | 9  | 37.760    | 17 | 37.860    | 25 | 37.940    | 33 | 38.030    |
| 2  | 37.670    | 10 | 37.770    | 18 | 37.870    | 26 | 37.960    | 34 | 38.040    |
| 3  | 37.680    | 11 | 37.780    | 19 | 37.880    | 27 | 37.970    | 35 | 38.050    |
| 4  | 37.700    | 12 | 37.800    | 20 | 37.900    | 28 | 37.980    | 36 | 38.060    |
| 5  | 37.710    | 13 | 37.810    | 21 | 37.910    | 29 | 37.990    | 37 | 38.070    |
| 6  | 37.720    | 14 | 37.820    | 22 | 37.920    | 30 | 38.000    | 38 | 38.080    |
| 7  | 37.730    | 15 | 37.830    | 23 | 37.930    | 31 | 38.010    | 39 | 38.090    |
| 8  | 37.750    | 16 | 37.850    | 24 | 38.950    | 32 | 38.020    | 40 | 38.100    |