

This Manual is provided by
CBTricks.com

Someone who wanted to help you repair your equipment
scanned this manual.

If you would like to help us put more manuals online support us.

Supporters of CBTricks.com paid for the hosting so you would have this file.

CBTricks.com is a non-commercial personal website was created to help promote the exchange of service, modification, technically oriented information, and historical information aimed at the Citizens Band, GMRS (CB "A" Band), MURS, Amateur Radios and RF Amps.

CBTricks.com is not sponsored by or connected to any Retailer, Radio, Antenna Manufacturer or Amp Manufacturer, or affiliated with any site links shown in the links database. The use of product or company names on my web site is not endorsement of that product or company.

If your company would like to provide technical information to be featured on this site I will put up on the site as long as I can do it in a non-commercial way.

The site is supported with donation from users, friends and selling of the Galaxy Service Manual CD to cover some of the costs of having this website on the Internet instead of relying on banner ads, pop-up ads, commercial links, etc. to pay my costs. Thus I do not accept advertising banners or pop-up/pop-under advertising or other marketing/sales links or gimmicks on my website.

ALL the money from donations is used for CBTricks.com I didn't do all the work to make money (I have a day job). I all didn't do all this work for someone else to make money also, for example the ebay CD sellers.

All Trademarks, Logos, and Brand Names are the property of their respective owners.
This information is not provided by, or affiliated in any way with any radio or antenna Manufacturers.
Thank you for any support you can give.

PHOTOFACT® Folder



**EICO MODELS 760, 760W,
761, 761W, 762, 762W**

NOTICE

ONLY THOSE PERSONS PROPERLY LICENSED ARE PERMITTED TO MAKE REPAIRS OR ADJUSTMENTS WHICH MAY RESULT IN ILLEGAL OPERATION. (REFER TO FCC RULES & REGULATIONS PART 19, SUBPART D, SECTION 19.71).



MODEL 762W

TRADE NAME	Eico Models 760, 760W, 761, 761W, 762, 762W
MANUFACTURER	Electronics Instrument Co., Inc., 3300 Northern Blvd., Long Island City 1, N. Y.
TYPE SET	AC-Battery Operated Single Channel Citizens Band Transmitter-Receiver
POWER SUPPLY	Model 760: 110-120 Volts AC, 60 Cycles Model 761: 110-120 Volts AC, 60 Cycles (or) 6 Volt Storage Battery Model 762: 110-120 Volts AC, 60 Cycles (or) 12 Volt Storage Battery
RATING	46 Watts, .45 Amp. @ 117 Volts AC (or) 8.4 Amp. @ 6.3 Volts DC (or) 4.2 Amp @ 12.6 Volts DC
TUNING RANGE	TRANSMITTER: Any one of Citizens Band Channels 1 thru 23 RECEIVER: Variable Tuning of Citizens Bands 1 thru 23

ALIGNMENT INSTRUCTIONS

ALIGNMENT INSTRUCTIONS—READ CAREFULLY BEFORE ATTEMPTING ALIGNMENT

Temporarily connect a 100K resistor from point (A) to point (B) to provide voltage to transmitter oscillator. This signal will be used to align the receiver oscillator. Turn unit on and allow to warm up for 10 minutes.

RECEIVER ALIGNMENT

	SIGNAL GENERATOR COUPLING	SIGNAL GENERATOR FREQUENCY	CHANNEL	OUTPUT METER	ADJUST	REMARKS
1.	Not Used		Set to channel of crystal being used in transmitter.	Across voice coil.	A1	Adjust Volume control to point where the 120v hum is heard clearly. Adjust A1 for maximum output of this hum. Remove the 100K resistor.
2.	High side thru .001mfd to pin 2 (grid) of Mixer (V2). Low side to chassis.	1750KC (400v 30% AM)		"	A2, A3, A4, A5, A6, A7	Adjust for maximum output.
3.	High side thru 100Ω to either antenna receptacle. Low side to chassis.	27MC	9	"	A8, A9	"

TRANSMITTER ALIGNMENT

ONLY THOSE PERSONS PROPERLY LICENSED ARE PERMITTED TO MAKE REPAIRS OR ADJUSTMENTS WHICH MAY RESULT IN ILLEGAL OPERATION. (REFER TO FCC RULES & REGULATIONS PART 19, SUBPART D, SECTION 19.71)

SPECIAL INSTRUCTIONS	INDICATOR	ADJUST	REMARKS
Connect Antenna	0-100MA DC Meter to Meter Jack	A10, All	Adjust A10 for minimum (20-30MA). Transmit lamp on front panel should increase in brightness. Adjust All so that meter indicates 27MA. Repeat Adjustments until minimum indication obtained by adjusting A10 approaches but does not exceed 27MA.

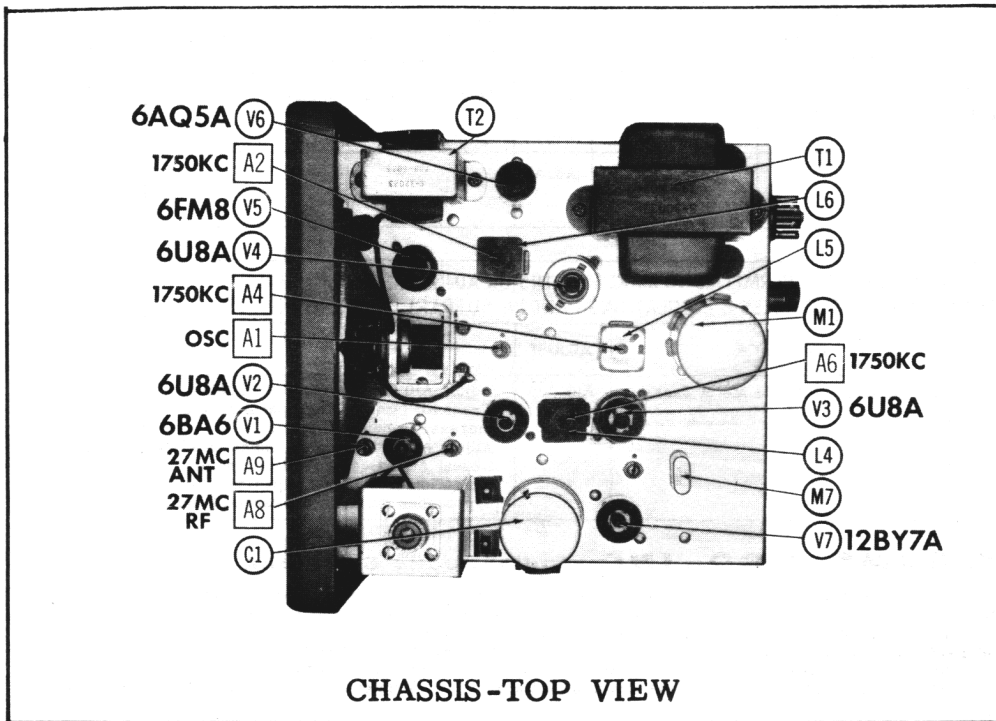
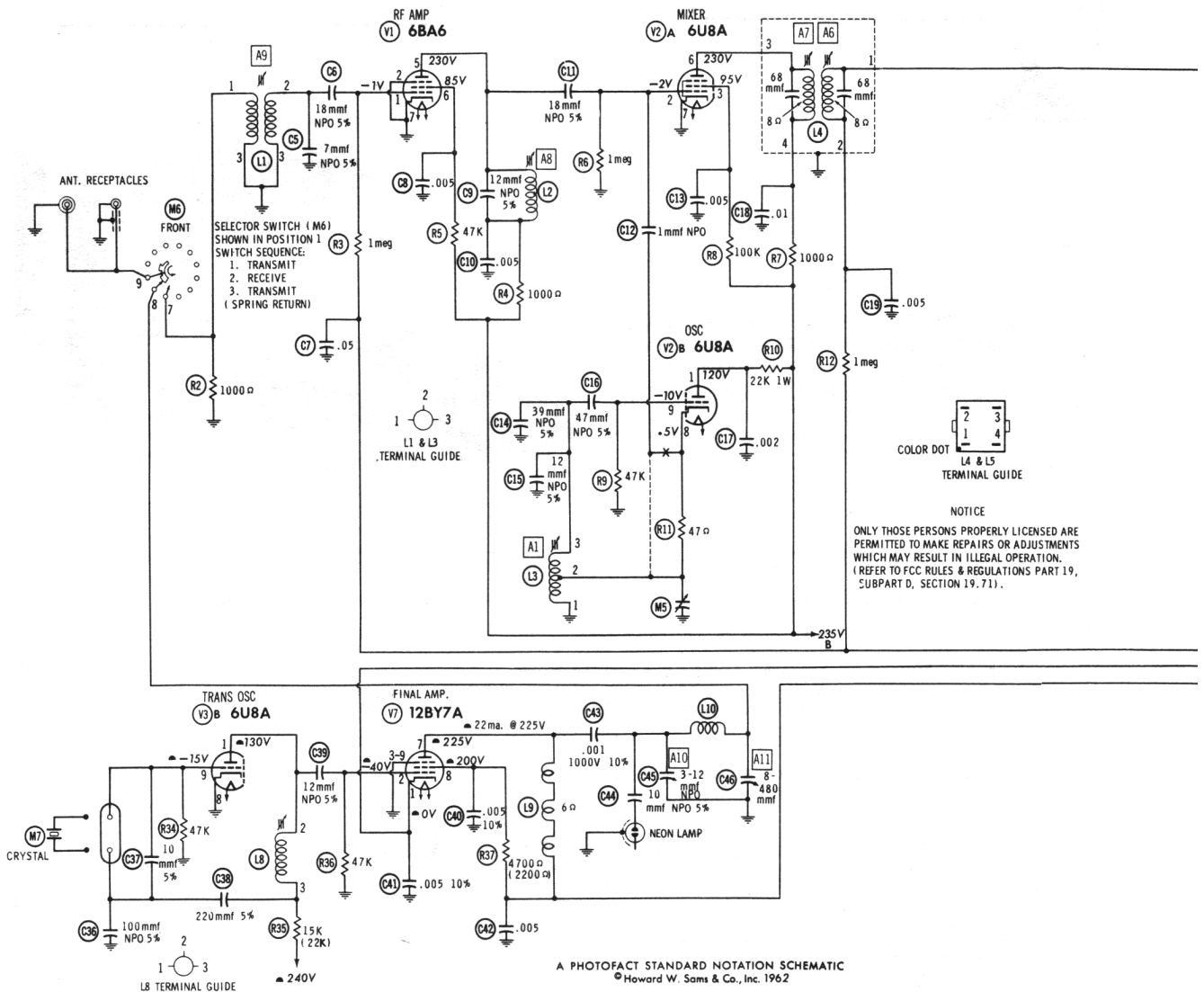
HOWARD W. SAMS & CO., INC. Indianapolis 6, Indiana

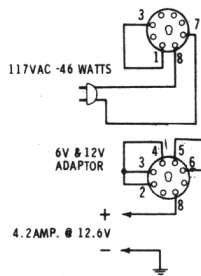
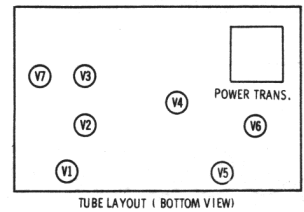
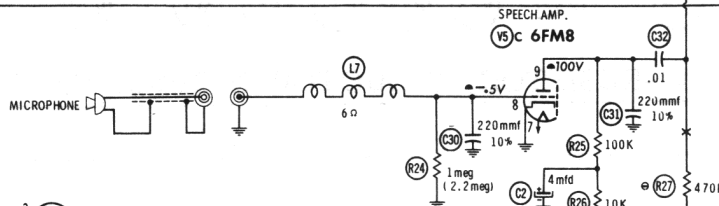
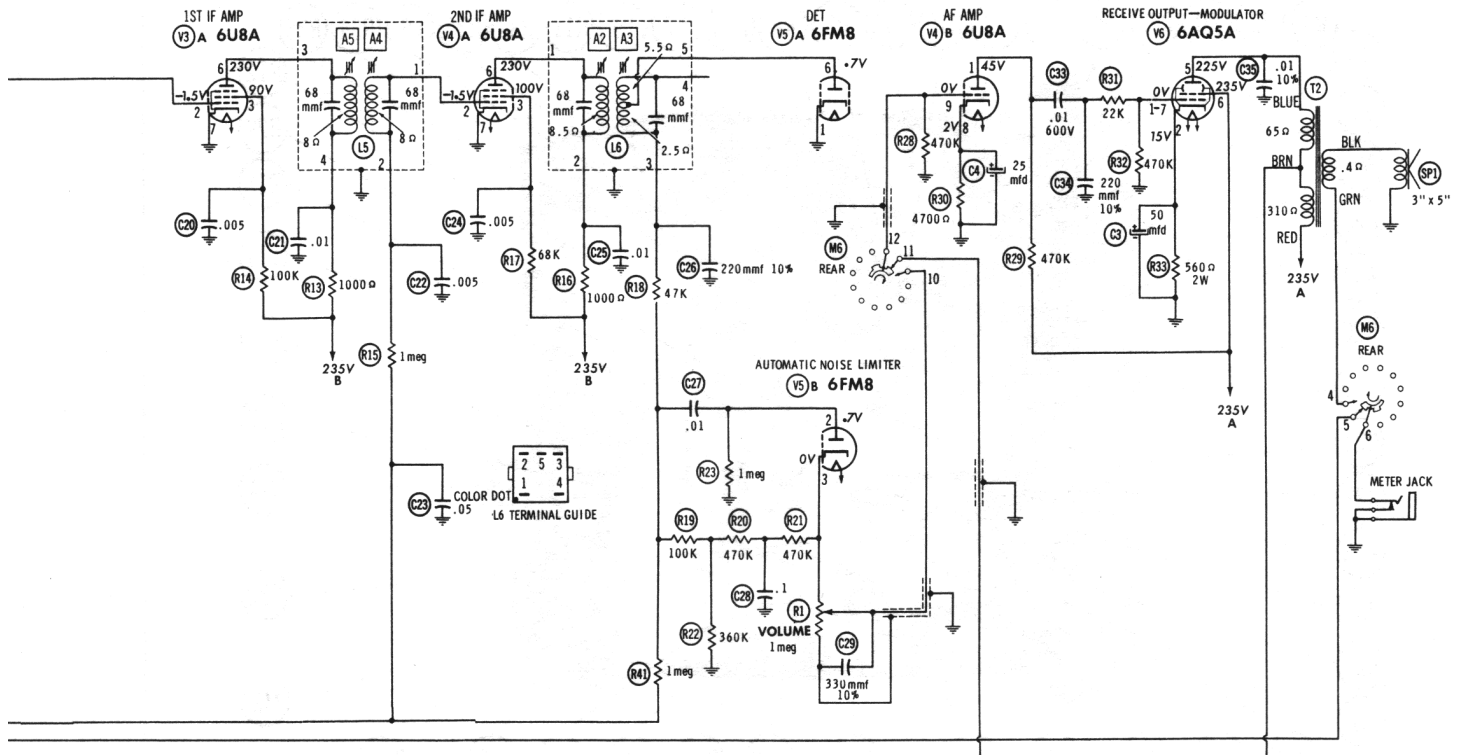
The listing of any available replacement part herein does not constitute in any case a recommendation, warranty or guaranty by Howard W. Sams & Co., Inc., as to the quality and suitability of such replacement part. The numbers of these parts have been compiled from information furnished to Howard W. Sams & Co., Inc., by the manufacturers of KZ989

the particular type of replacement part listed. Reproduction or use, without express permission, of editorial or pictorial content, in any manner, is prohibited. No patent liability is assumed with respect to the use of the information contained herein. © 1962 Howard W. Sams & Co., Inc., Indianapolis 6, Indiana. Printed in U.S. of America

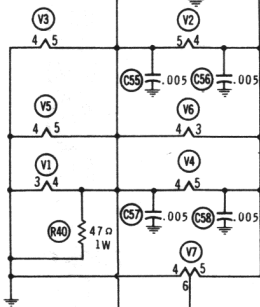


**EICO MODELS 760, 760W,
761, 761W, 762, 762W**

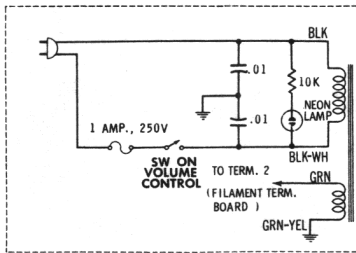
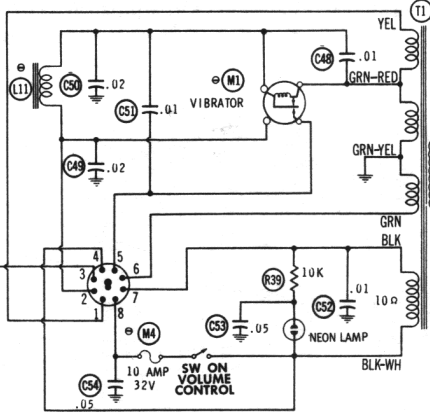




JUMPERS FROM 1 TC 2 & 3 TO 4 IN 6V MODELS.

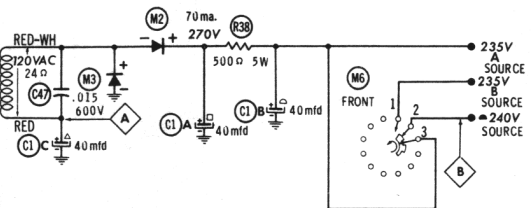


NUMBERS ASSIGNED TO COILS, SWITCHES, PLUGS, SOCKETS, AND TRANSFORMERS ARE TO FACILITATE CIRCUIT TRACING OR COMPONENT REPLACEMENT AND MAY NOT NECESSARILY BE FOUND ON THE UNIT.



SEE PARTS LIST FOR ALTERNATE VALUE OR APPLICATION

DC COIL RESISTANCE VALUES UNDER ONE OHM NOT SHOWN ON SCHEMATIC DIAGRAM



- DC voltage measurements taken with vacuum tube voltmeter; AC voltages measured with 1000 ohm per volt voltmeter.
- Socket connections are shown as bottom views.
- Measured values are from socket pin to common ground.
- Line voltage maintained at 117 volts for voltage readings.
- Nominal tolerance on component values makes possible a variation of +15% in voltage and resistance readings.
- Volume control at maximum, no signal applied for voltage measurements.

RESISTANCE READINGS

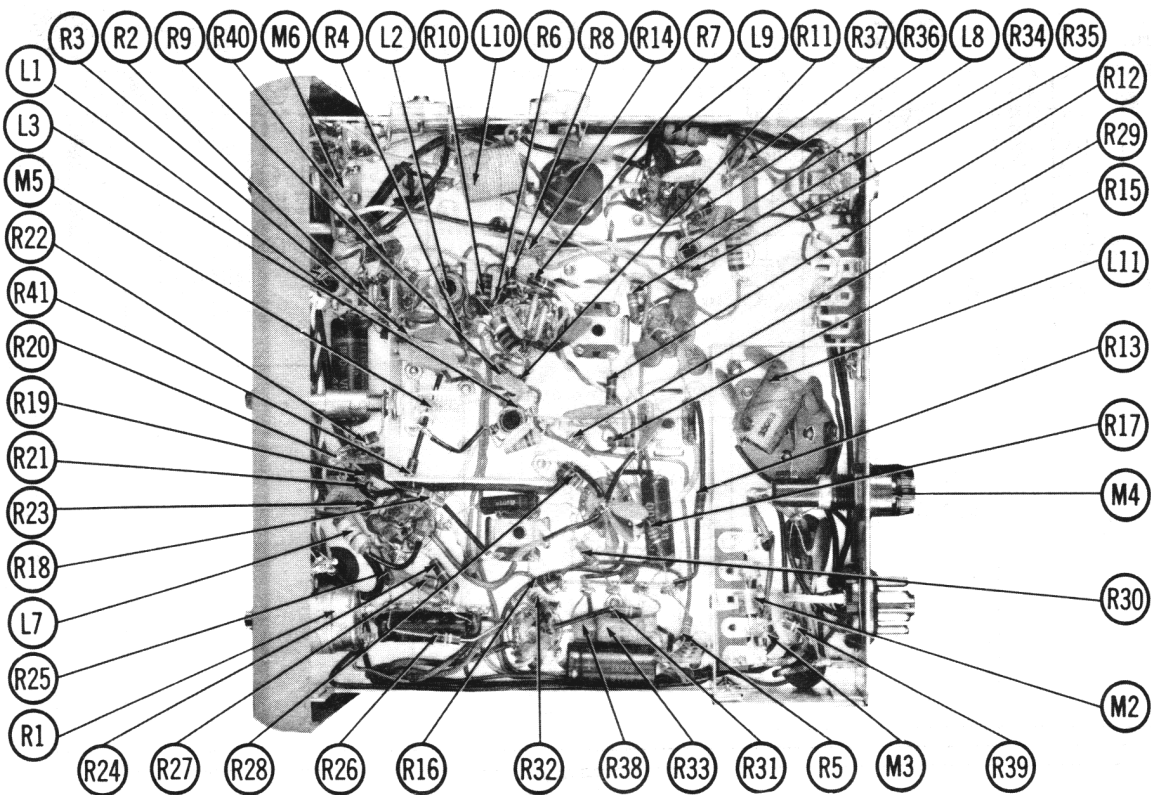
ITEM	TUBE	Pin 1	Pin 2	Pin 3	Pin 4	Pin 5	Pin 6	Pin 7	Pin 8	Pin 9
V1	6 BA6	2.4 meg	0 Ω	FIL	FIL	+1500 Ω	+47K	0 Ω		
V2	6 U8A	+122K	1 meg	+100K	FIL	FIL	+1500 Ω	0 Ω	47 Ω	47K
V3	6 U8A	+115K	2.4 meg	+100K	FIL	FIL	+1500 Ω	0 Ω	0 Ω	47K
V4	6 U8A	+470K	2.4 meg	168K	FIL	FIL	+1500 Ω	0 Ω	4700 Ω	0 Ω
V5	6 FM8	0 Ω	1 meg	500K	FIL	FIL	450 Ω	0 Ω	1 meg	+110K
V6	6 AQ5A	470K	560 Ω	FIL	FIL	1875 Ω	1500 Ω	NC		
V7	12 BY7A	0 Ω	47K	0 Ω	FIL	FIL	FIL	+1810 Ω	+15500 Ω	0 Ω

ALL MEASUREMENTS MADE IN RECEIVE POSITION UNLESS OTHERWISE DESIGNATED.

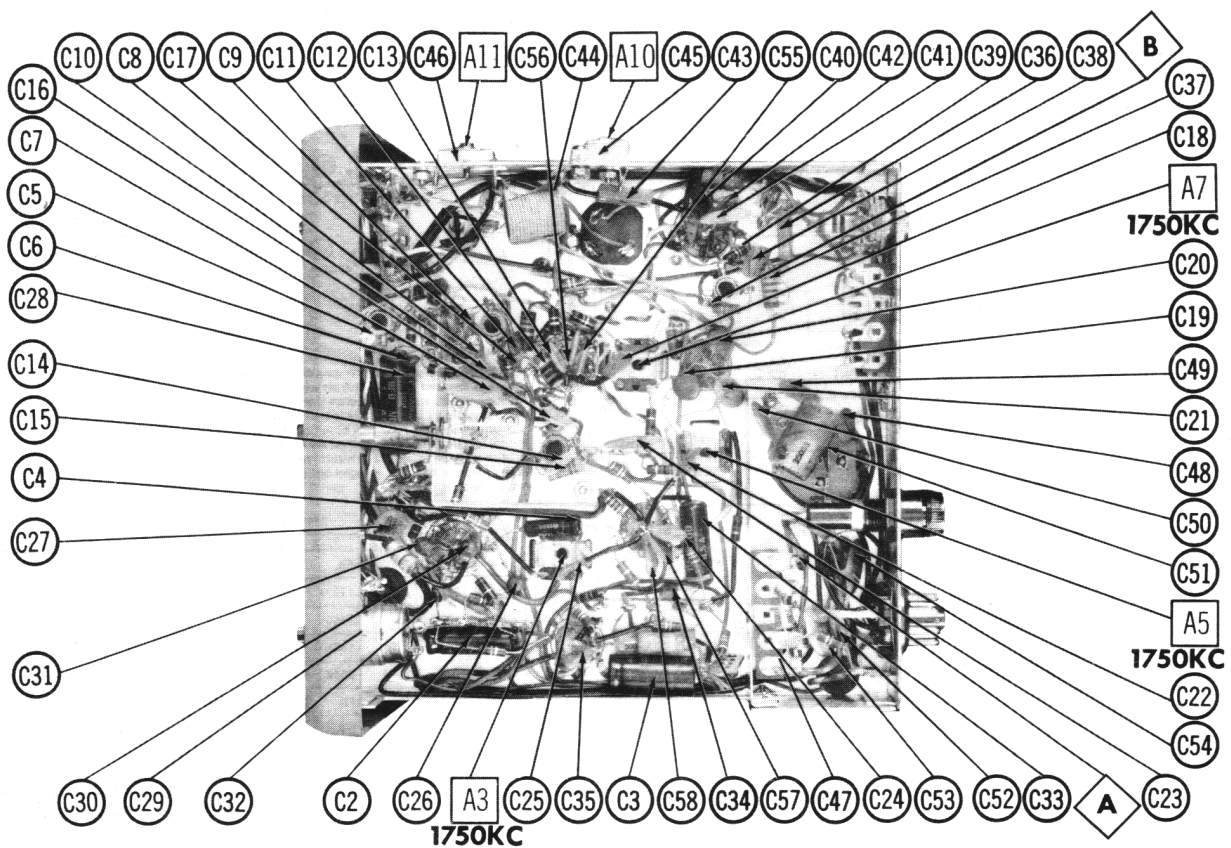
MEASURED IN TRANSMIT POSITION. NC NO CONNECTION

MEASURED FROM OUTPUT OF M2.

EICO MODELS 760, 760W, 761, 761W, 762, 762W



CHASSIS BOTTOM VIEW-RESISTOR, INDUCTOR & MISC. IDENT.



CHASSIS BOTTOM VIEW-ALIGNMENT & CAPACITOR IDENT.

PARTS LIST AND DESCRIPTIONS

TUBES

GENERAL ELECTRIC		RAYTHEON		SYLVANIA	
ITEM No.	USE	ITEM No.	USE	ITEM No.	TYPE
V1	RF Amplifier	6BA6	2nd IF Amp. -AF Amp.	6U8A	6U8A
V2	Rec. Mixer - Osc.	6U8A	Det. -Speech Amp. -ANL	6FM8	6FM8
V3	1st IF Amplifier - Trans. Osc.	6U8A	Rec. Output-Modulator	6AQ5A	6AQ5A
			Final Amplifier	12BY7A	12BY7A

ELECTROLYTIC CAPACITORS

ITEM No.	RATING	REPLACEMENT DATA			
		AEROVOX PART No.	CORNELL-DUBILIER PART No.	GENERAL ELECTRIC PART No.	SPRAGUE PART No.
C1A	40 350	AFH3-44	C0350	XC3-40	TMT-3748
C1B	40 350				
C2	4 250	PRSI550	BBR4-250	QTL-2	TD-4-250
C3	50 50	PTT98	NLW50-50	MTI-17	TC39
C4	25 6	PTT26	NLW25-10	MTI-10	MLV25-6
					TE-1091

FIXED CAPACITORS

ITEM No.	RATING	REPLACEMENT DATA			
		AEROVOX PART No.	CORNELL-DUBILIER PART No.	ELMENC0 PART No.	SPRAGUE PART No.
C5	7 NPO 5%	NFO-SI 6.8	TCZ-6R8	CCTO-6R8	CNO-568
C6	18 NPO 5%		TCZ-18	CM-19B-180J	CNO-418
C7	.05	BPD-05	DD-503	PM6S5	GP150
C8	.005	BPD-005	DD-502	BYA10D5	B-250
C9	12 NPO 5%		TCZ-12	CL0Q12C	CCD-502
C10	.005	BPD-005	DD-502	BYA10D5	CNO-412
C11	18 NPO 5%		TCZ-18	CL0Q18C	B-250
C12	1 NPO	NFO-SI 1.0	TCZ-1	BYA10D5	CNO-418
C13	.005	BPD-005	DD-502	BYA10D5	CNO-510
C14	39 NPO 5%		TCZ-39	CL0Q39C	B-250
C15	12 N750 5%		TCN-12	CL0Q12U	CNO-439
C16	47 NPO 5%		DTZ-47	CL0Q47C	CN7-412
C17	.002		DD-202	BYA10D2	CNO-447
C18	.01		DD-103	BYA10S1	CCD-502
C19	.005		DD-502	BYA10D5	B-110
C20	.005		DD-502	BYA10D5	CCD-502
C21	.01		DD-103	BYA10S1	B-250
C22	.005		DD-502	BYA10D5	CCD-103
C23	.05		DD-503	BYA10D5	CCD-502

FIXED CAPACITORS (cont)

ITEM No.	RATING	REMARKS	REPLACEMENT DATA			
			AEROVOX PART No.	CORNELL-DUBILIER PART No.	ELMENC0 PART No.	SPRAGUE PART No.
C24	.005		BPD-005	DD-302	CCD-502	B-250
C25	220 10%		BPD-01	DD-103	CCD-103	5HK-S10
C26	220 10%		BPD-01	DD-221	CCD-221	10TS-T22
C27	.01		BPD-01	DD-103	CCD-103	5HK-S10
C28	1 400V		P488N-1	DF-104	4DP-3-104	GEM-401
C29	330 10%		DI-330	DD-331	CCD-331	4TM-F10
C30	220 10%		DI-220	DD-221	CCD-221	10TS-F22
C31	220 10%		DI-220	DD-221	CCD-221	10TS-T22
C32	.01		BFD-01	DD-103	CCD-103	5HK-S10
C33	220 10%		P688N-01	DD-331	8DP-2-103	6TM-S10
C34	.01 10%		DI-10000	DD-331	CCD-221	10TS-T22
C35	100 NPO 5%		1469-00002	TCZ-100	C10Q1C	10TS-S10
C36	10 5%		1469-00002	TCZ-220	2RHSQ1	CNO-310
C37	10 5%		1469-00002	TCZ-220	2RHSQ1	MS-41
C38	12 NPO 5%		DI-5000	TCZ-12	CM-19B-120J	10TCC-Q12
C39	.005 10%		BPD-005	DD-502	CCD-502	10TS-D50
C40	.005 10%		BPD-005	DD-502	CCD-502	10TS-D50
C41	.005 10%		BPD-005	DD-502	CCD-502	5HK-D50
C42	.001 1000V 10%		NFO-SI 10	TCZ-10	VCM-20-102K	5HK-D50
C43	3-12 NPO	#29500		TCZ-10	CCTO-100	10TCC-Q10
C44	8-480	#29509		822-FZ		ST-533-Z
C45	.015 600V			DD-153	6DP-2-153	6TM-S15
C46	.01			DD-103	CCD-103	5HK-S10
C47	.02			DD-203	BYB6S2	5HK-S20
C48	.01			DD-203	BYB6S2	5HK-S20
C49	.02			DD-103	BYA10S1	5HK-S10
C50	.01			DD-103	BYA10S1	5HK-S10
C51	.01			DD-103	BYA10S1	5HK-S10
C52	.01			DD-103	BYA10S1	5HK-S10
C53	.05	Note 1		DD-503	PM6S5	5HK-S50
C54	.05			DD-503	PM6S5	5HK-S50
C55	.005			DD-502	BYA10D5	5HK-D50
C56	.005			DD-502	BYA10D5	5HK-D50
C57	.005			DD-502	BYA10D5	5HK-D50
C58	.005			DD-502	BYA10D5	5HK-D50

Eico Part Number.
Note 1. Not used in some versions.

CONTROLS

ITEM No.	RATING	REPLACEMENT DATA				INSTALLATION NOTES
		EICO PART No.	CENTRALAB PART No.	CLAROSTAT PART No.	MALLORY PART No.	
RIA	Imag Switch	18059	B-70-S	A47-Imag-Z	UE3	Volume
B	1/2		Not Req.	KSS-3	Not Req.	Power Off-On
C	Switch		Not Req.	SWE-12	US-26	

PARTS LIST AND DESCRIPTIONS (Continued)

RESISTORS

All wattages 1/2 watt, or less, unless otherwise listed.

ITEM No.	RATING	REPLACEMENT DATA		RATING	REPLACEMENT DATA	
		IRC PART No.	WORKMAN TV PART No.		IRC PART No.	WORKMAN TV PART No.
R2	1000Ω			380K		
R3	1Meg			1Meg		(2.2Meg)*
R4	1000Ω			1Meg		
R5	47K			100K		
R6	1Meg			10K		
R7	1000Ω			470K		
R8	100K			470K		
R9	47K			470K		
R10	22K 1W			4700Ω		Note 1
R11	47Ω			22K		
R12	1Meg			470K		
R13	1000Ω			560Ω 2W		
R14	100K			47K		
R15	1Meg			15K		(22K)*
R16	1000Ω			47K		
R17	68K			4700Ω		(2200Ω)*
R18	47K			500Ω 5W		
R19	100K			10K		
R20	470K			47Ω 1W		
R21	470K			1Meg		

* Alternate Value.

Note 1. Not used in some versions.

COILS (RF-IF)

ITEM No.	USE	REPLACEMENT DATA			NOTES
		EICO PART No.	Miller PART No.	Stancor PART No.	
L1	Ant.	36017		Workman TV PART No.	
L2	RF	36018			
L3	Osc.	36019			
L4	1st IF	34615			
L5	2nd IF	34616			
L6	3rd IF	34617			
L7	RF Choke (100uh)	35052	6112	RTC-8574	T305
L8	Osc. Plate	35050			
L9	RF Choke (100uh)	35052	6112	RTC-8574	T305
L10	Ant. Loading (1.5uh)	35051			
L11	Flash Choke	35053			

① Not used in Model 760

TRANSFORMER (POWER)

ITEM No.	RATING	REPLACEMENT DATA				NOTES				
		SEC. 1		SEC. 2						
		PRI.	SEC.	EICO PART No.	Stancor PART No.		Thordarson PART No.	Triod PART No.		
T1	117V @ .45A or 12.6VCT AC ② 2.4A	120V @ 1.8A AC	12.8V @ 1.8A AC	30037 ①						① Part #80036 used in Model 761. Part #80035 used in Model 760.

TRANSFORMER (AUDIO OUTPUT)

ITEM No.	IMPEDANCE	REPLACEMENT DATA				NOTES				
		SEC.		Triod						
		PRI.	SEC.	EICO PART No.	Stancor PART No.		Thordarson PART No.	Triod PART No.		
T2	8600Ω Tap 3-4Ω			32023						

SPEAKER

ITEM No.	TYPE	REPLACEMENT DATA			NOTES	
		QUAM		PART No.		
		SIZE	FIELD			V. C. IMP.
SP1	3"x 5"	PM	3-4Ω	55014	35A05	

VIBRATOR

ITEM No.	TYPE	INPUT VOLTS/SEQUENCY	FREQUENCY	REPLACEMENT DATA			NOTES
				EICO PART No.	CORNELL-DUBILIER PART No.	MALLOY PART No.	
M1	Interrupter	12.6V 6.3V	115* 115*	39501 39500	6301 5301	G-1601 G-1501	6301 5301

POWER RECTIFIERS

ITEM No.	CURRENT (Measured)	REPLACEMENT DATA			NOTES
		EICO PART No.	RCA PART No.	SARKES TAZIAN PART No.	
M2	.070A	93007	1N1763	F6	
M3	.070A	93007	1N1763	F6	

FUSES

ITEM No.	TYPE	RATING	REPLACEMENT DATA				
			EICO PART No.	HOLDER	LITTELFUSE PART No.	RUSS PART No.	
M4	3AG	10A 32V	91010 ①	97800	307010 (3AG 10A 32V)	342001	MDA 10
		6A 32V	91009 ②	97800	307008 (3AG 6A 32V)	343001	MDA 6
		1A 250V S/B	91008 ③	97800	313001 (3AG 1A 250V)	343001	MDL 1

① Models 761, 6VDC Operation.

② Models 762, 12VDC Operation.

③ 117VAC Operation.

MISCELLANEOUS

ITEM No.	PART NAME	EICO PART No.	NOTES
M5	Variable Cap. Switch	29016	Receiver Tuning Function Selector (Rotary Type)
M6	Crystal	60077	Order by Freq. Desired
M7			

CABINETS & CABINET PARTS

(When Ordering Cabinets & Cabinet Parts, Specify Model, Chassis & Color)

NAME	PART NO.	DESCRIPTION
Knob	53033	Lever
Knob	53034	Tuning, Volume
Front Panel	80073	
Handle	81232	Model 761, 762
Cabinet	88066	Model 761, 762
Cabinet	88070	Model 760

WIRING DATA

General-use Unshielded Hook-up Wire Use BELDEN No. 8530 (Solid) Available in Ten Colors
8524 (Stranded) Available in Ten Colors
Power Cord Use BELDEN No. 1765-B (6 Ft. Length)
1725-K (7½ Ft. Length)