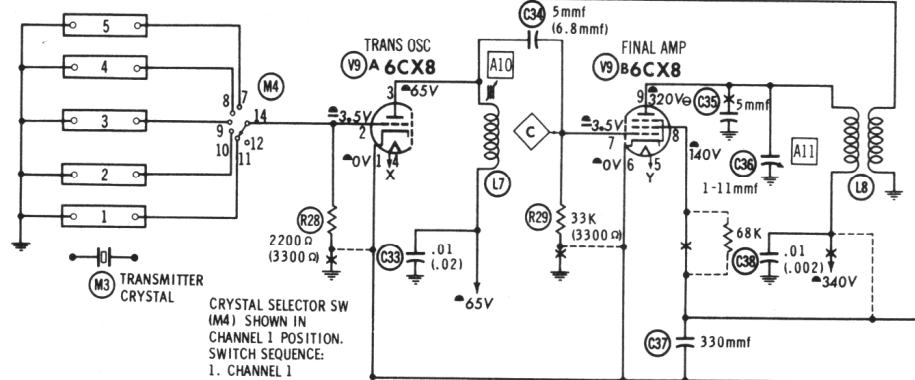


NUMBERS ASSIGNED TO COILS, SWITCHES, PLUGS, SOCKETS, AND TRANSFORMERS ARE TO FACILITATE CIRCUIT TRACING OR COMPONENT REPLACEMENT AND MAY NOT NECESSARILY BE FOUND ON THE UNIT.

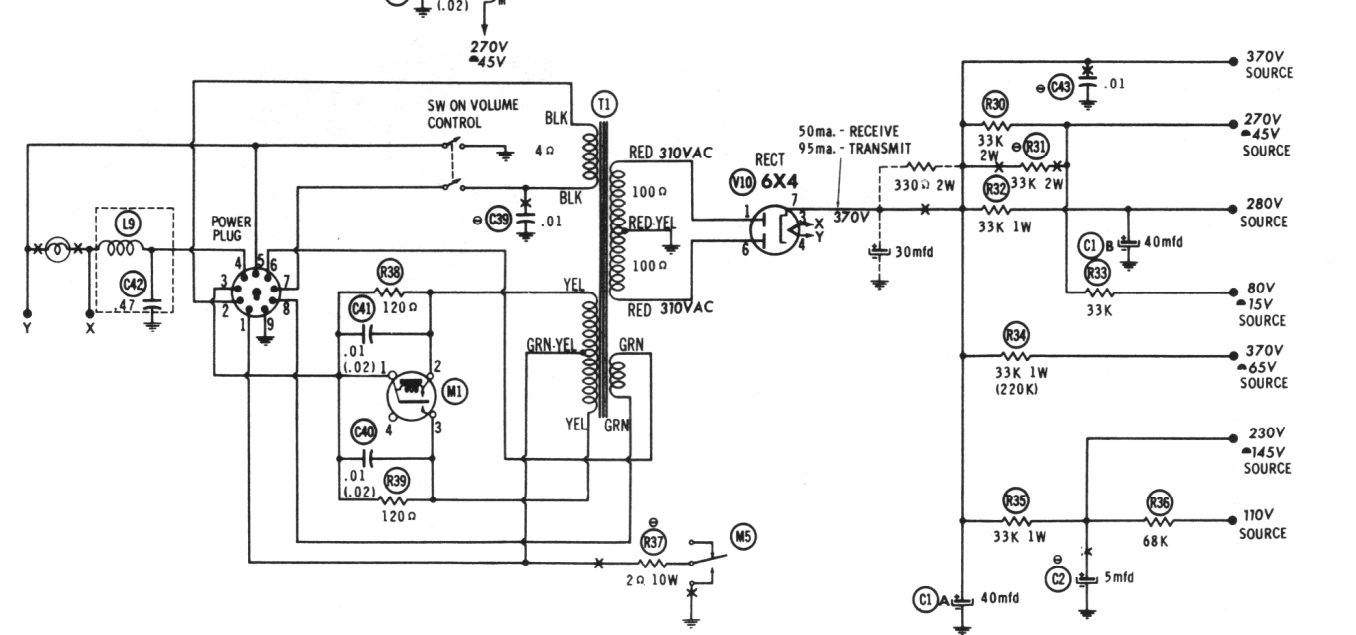
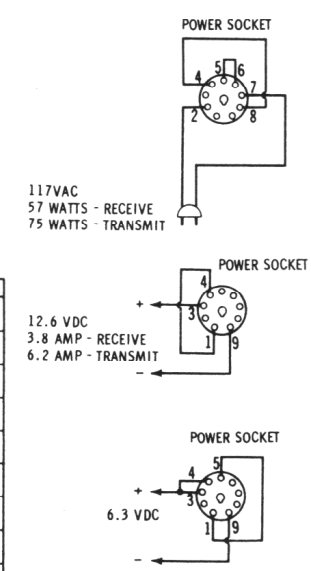


CRYSTAL SELECTOR SW (M4) SHOWN IN CHANNEL 1 POSITION. SWITCH SEQUENCE:
 1. CHANNEL 1
 2. CHANNEL 2
 3. CHANNEL 3
 4. CHANNEL 4
 5. CHANNEL 5

ITEM	TUBE	Pin 1	Pin 2	Pin 3	Pin 4	Pin 5	Pin 6	Pin 7	Pin 8	Pin 9
V1	6BA6	1.9 meg	0 0	FIL	FIL	†15K	†235K	0 0		
V2	6U8A	†48K	2.1 meg	†48K	FIL	FIL	†100K	0 0	0 0	33K
V3	6BA6	1.9 meg	0 0	FIL	FIL	†33K	†235K	0 0		
V4	6BA6	1.9 meg	0 0	FIL	FIL	†36K	†235K	0 0		
V5	6AL5	0 0	470K	FIL	FIL	2.7 meg	0 0	690K		
V6	12AX7	†250K	†2.2 meg	750K	FIL	FIL	†250K	1 meg	0 0	0 0
V7	6AQ5A	470K	330 0	FIL	FIL	†300 0	†33K	470K		
V8	12AU7A	†320K	4.7 meg	†19K	FIL	FIL	†250K	4.7 meg	†19K	FIL
V9	6CX8	†19K	2200 0	†33K	FIL	FIL	†19K	33K	†33K	†0 0
V10	6X4	†100 0	TP	FIL	FIL	TP	†100 0	†		

ALL MEASUREMENTS TAKEN IN "RECEIVE" POSITION UNLESS OTHERWISE DESIGNATED. TP TIE POINT
 † MEASURED FROM PIN 7 OF V10. VOLUME CONTROL SET AT MINIMUM, SQUELCH CONTROL SET AT NORMAL OPERATION.

THIS READING WILL VARY DEPENDING UPON THE CONDITION OF THE ELECTROLYTIC IN THE CIRCUIT.



- TAKEN IN "TRANSMIT" POSITION.
- SEE PARTS LIST FOR ALTERNATE VALUE OR APPLICATION
- 1. DC voltage measurements taken with vacuum tube voltmeter; AC voltages measured with 1000 ohm per volt voltmeter.
- 2. Socket connections are shown as bottom views.
- 3. Measured values are from socket pin to common ground.
- 4. Line voltage maintained at 117 volts for voltage readings.
- 5. Nominal tolerance on component values makes possible a variation of ±15% in voltage and resistance readings.
- 6. Volume control at maximum, no signal applied for voltage measurements.

La SALLE
 MODELS LA101, LA101-A