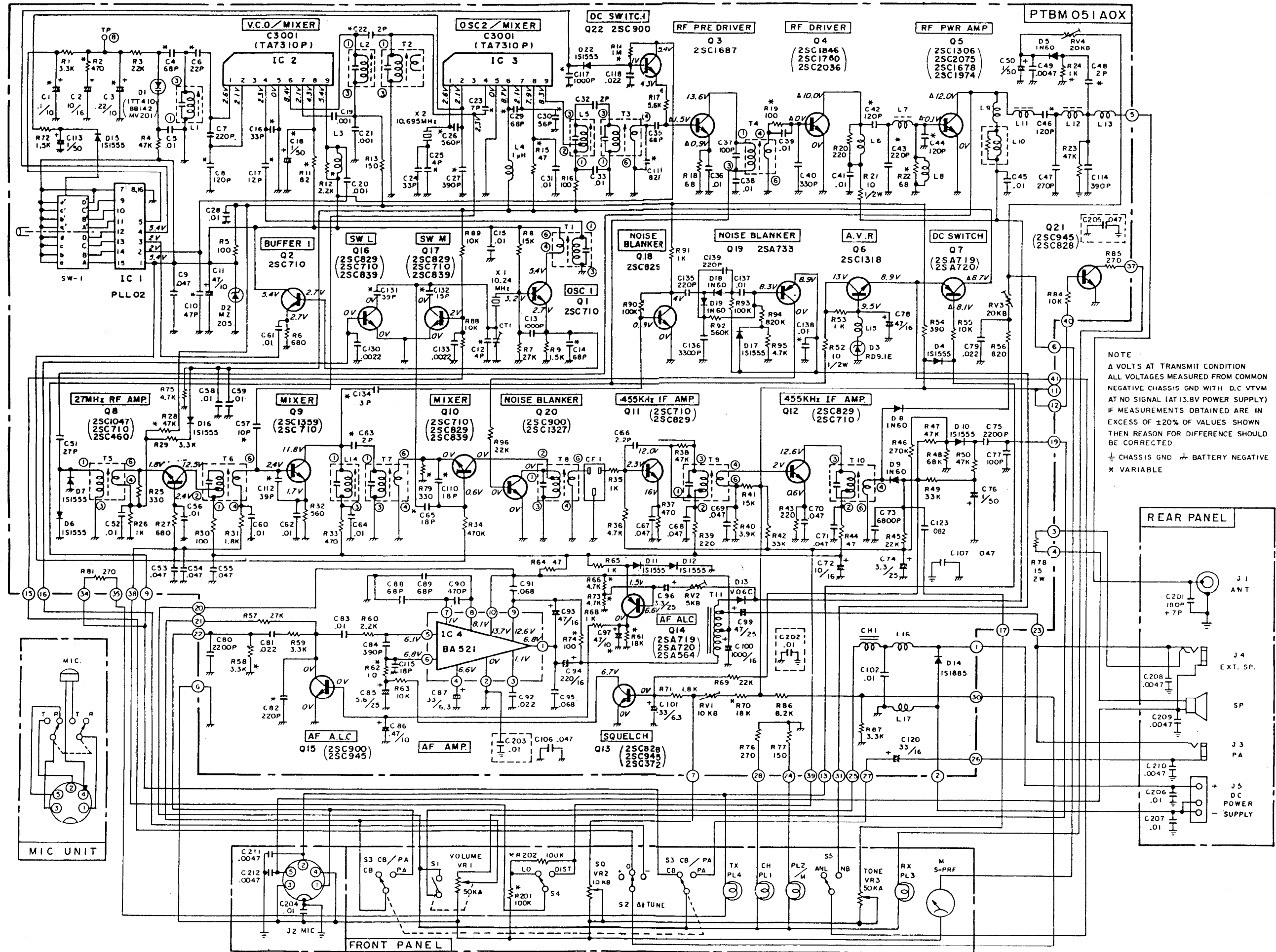
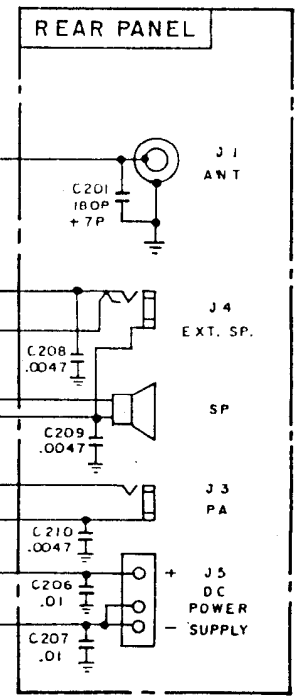


LAFAYETTE - HB-740

Scan by Luciano Sturaro - PY2BBS - sturaro@mailbr.com.br



NOTE
 Δ VOLTS AT TRANSMIT CONDITION
 ALL VOLTAGES MEASURED FROM COMMON
 NEGATIVE CHASSIS GND WITH D.C. VTVM
 AT NO SIGNAL (AT 13.8V POWER SUPPLY)
 IF MEASUREMENTS OBTAINED ARE IN
 EXCESS OF ±20% OF VALUES SHOWN
 THEN REASON FOR DIFFERENCE SHOULD
 BE CORRECTED
 ⊥ CHASSIS GND ⊕ BATTERY NEGATIVE
 * VARIABLE



FRONT PANEL