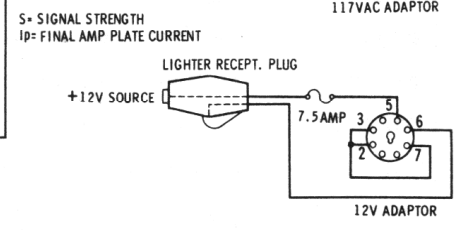
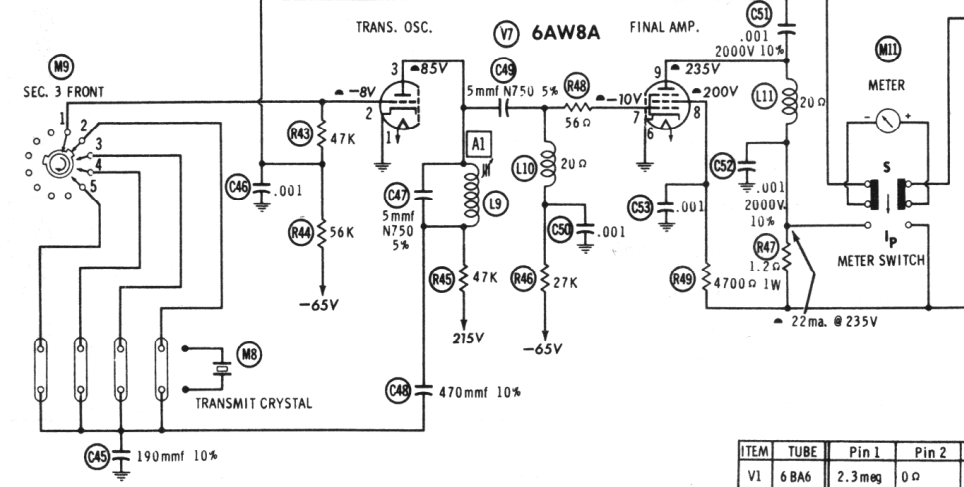


CHANNEL SELECTOR SW (M9)  
SHOWN IN "CHANNEL 1 TUNEABLE  
RECEIVER" POSITION, SWITCH SEQUENCE:

1. CHANNEL 1	TUNEABLE RECEIVER
2. CHANNEL 2	
3. CHANNEL 3	
4. CHANNEL 4	
5. CHANNEL 1	FIXED RECEIVER
6. CHANNEL 2	
7. CHANNEL 3	
8. CHANNEL 4	



RESISTANCE READINGS

ITEM	TUBE	Pin 1	Pin 2	Pin 3	Pin 4	Pin 5	Pin 6	Pin 7	Pin 8	Pin 9
V1	6BA6	2.3 meg	0 Ω	FIL	FIL	†5800 Ω	†30K	68 Ω		
V2	6BE6	47K	.2 Ω	FIL	FIL	†48K	†40K	47K		
V3	EF93 6BA6	1.9 meg	0 Ω	FIL	FIL	†3300 Ω	†30K	68 Ω		
V4	6EAB	†123K	1 meg	†50K	FIL	FIL	†3300 Ω	200 Ω	0 Ω	2.2 meg
V5	6T8	400K	600K	240K	FIL	FIL	2 meg	0 Ω	10 meg	†470K
V6	6AQ5	NC	330 Ω	FIL	FIL	†400 Ω	†1100 Ω	470K		
V7	6AW8A	0 Ω	†47K	†148K	FIL	FIL	0 Ω	†82K	†5100 Ω	†440 Ω

† MEASURED IN "RECEIVE" POSITION WITH METER DISCONNECTED UNLESS OTHERWISE DESIGNATED.  
‡ MEASURED IN "TRANSMIT" POSITION WITH MICROPHONE DISCONNECTED.  
NC NO CONNECTED

NOTICE  
ONLY THOSE PERSONS PROPERLY LICENSED ARE PERMITTED TO MAKE REPAIRS OR ADJUSTMENTS WHICH MAY RESULT IN ILLEGAL OPERATION. (REFER TO FCC RULES & REGULATIONS PART 19, SUBPART D, SECTION 19.71).

- DC voltage measurements taken with vacuum tube voltmeter; AC voltages measured with 1000 ohm per volt voltmeter.
- Socket connections are shown as bottom views.
- Measured values are from socket pin to common ground.
- Line voltage maintained at 117 volts for voltage readings.
- Nominal tolerance on component values makes possible a variation of ±15% in voltage and resistance readings.
- Volume control at maximum, no signal applied for voltage measurements.

NUMBERS ASSIGNED TO COILS, SWITCHES, PLUGS, SOCKETS, AND TRANSFORMERS ARE TO FACILITATE CIRCUIT TRACING OR COMPONENT REPLACEMENT AND MAY NOT NECESSARILY BE FOUND ON THE UNIT.

