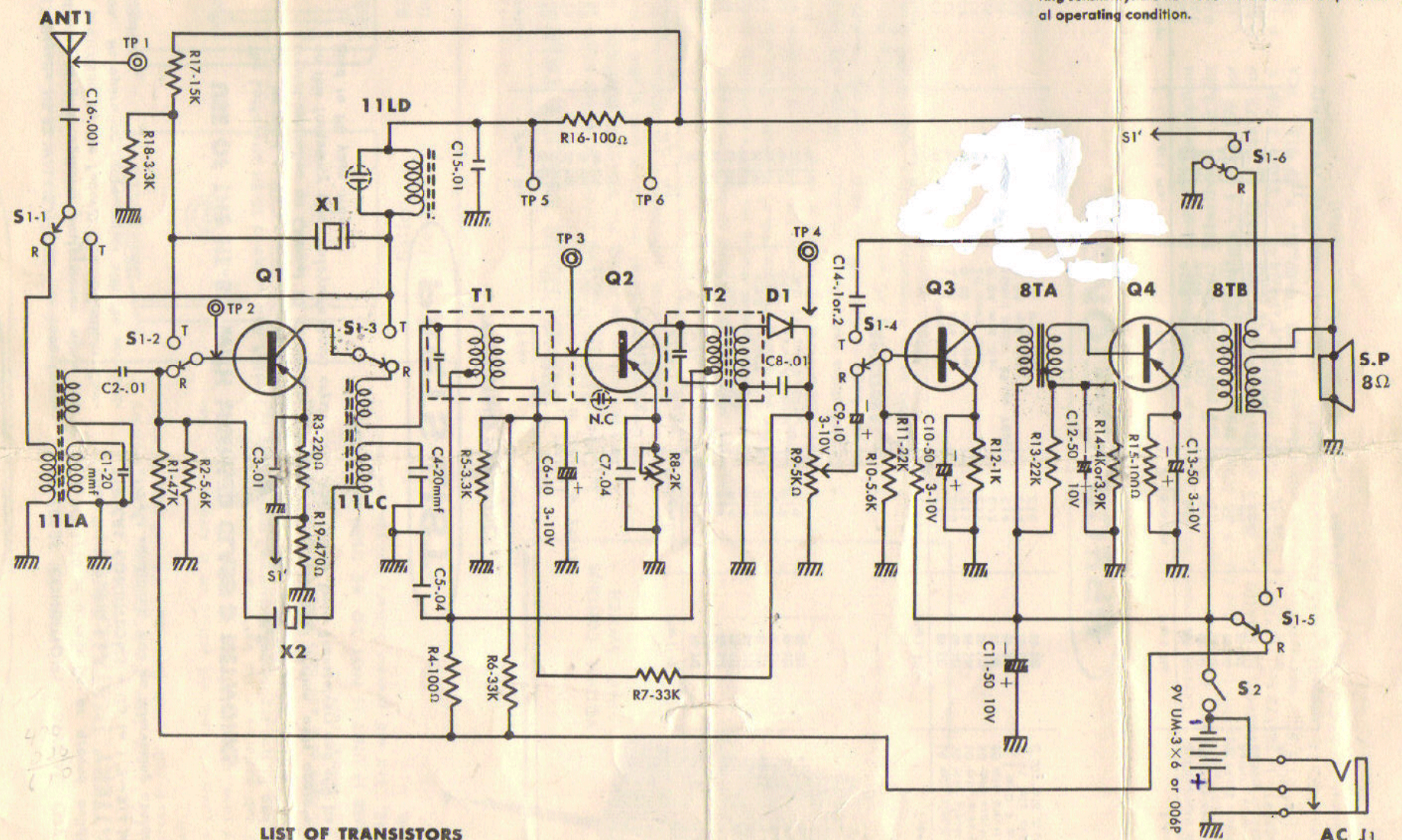


HE-82 "WALKIE-TALKIE"

1. All capacitors in mfd except those which are marked mmf.
2. RB is 2 Kohm variable resistor for adjustment of receiving sensitivity. Do not touch it if the unit keeps normal operating condition.



LIST OF TRANSISTORS

Q1 2SA279 or 2SA246 or 2SA344	Q2 2SA102 or 2SA12 or 2SA103	Q3 2SB171 or 2SB75 or 2SB172 or 2SB77	Q4 2SB172 or 2SB77	D1 MA80 or 1N34A or OA70
(RCA 2N1023)	(RCA 2N218)	(RCA 2N215)	(RCA 2N217)	

4-Transistor WALKIE-TALKIE
LAFAYETTE RADIO ELECTRONICS CORP.