

RADIO AND AUDIO BLOCK

PIN NO	VOLTAGE	PIN NO	VOLTAGE	NO	VOLTAGE	NO	VOLTAGE
IC151							
	9	1.5V(1.5V)	1	3.6V	10	0V(12.5V)	
1	5.1V	10	0.8V(0.8V)	2	2.9V	11	0.8V
2	1.7V	11	0.4V(0.8V)	3	6.8V	12	0.3V
3	1.7V	12	0V(0V)	4	1.7V	13	6.3V
4	0V	13	8.2V(8.2V)	5	1.0V	14	3.1V
5	11.0V	14	2.2V(2.2V)	6	8.2V	15	2.7V
6	2.7V	IC201, 301		7	1.7V	16	8.2V
7	11.0V	1	6.5V	8	1.1V	17	2.4V
IC152							
1	9.2V(10.5V)	3	8.0V	10	1.7V	20	8.2V
2	9.2V(10.5V)	4	11.8V	11	1.0V		
3	3.3V( 9.3V)	5	6.5V	12	11.0V		
4	9.7V( 2.7V)	6	0V	13	1.7V		
5	3.1V( 2.9V)	7	5.8V	14	1.2V		
6	3.1V( 2.9V)	8	13V	15	5.0V		
7	6.8V( 7.8V)	9	13.8V	16	12.5V(13.0V)		
8	6.8V( 8.5V)			17	1.3V(12.0V)		

( ) : at stereo signal input  
 ■ Blue pattern is ⊖ LINE.

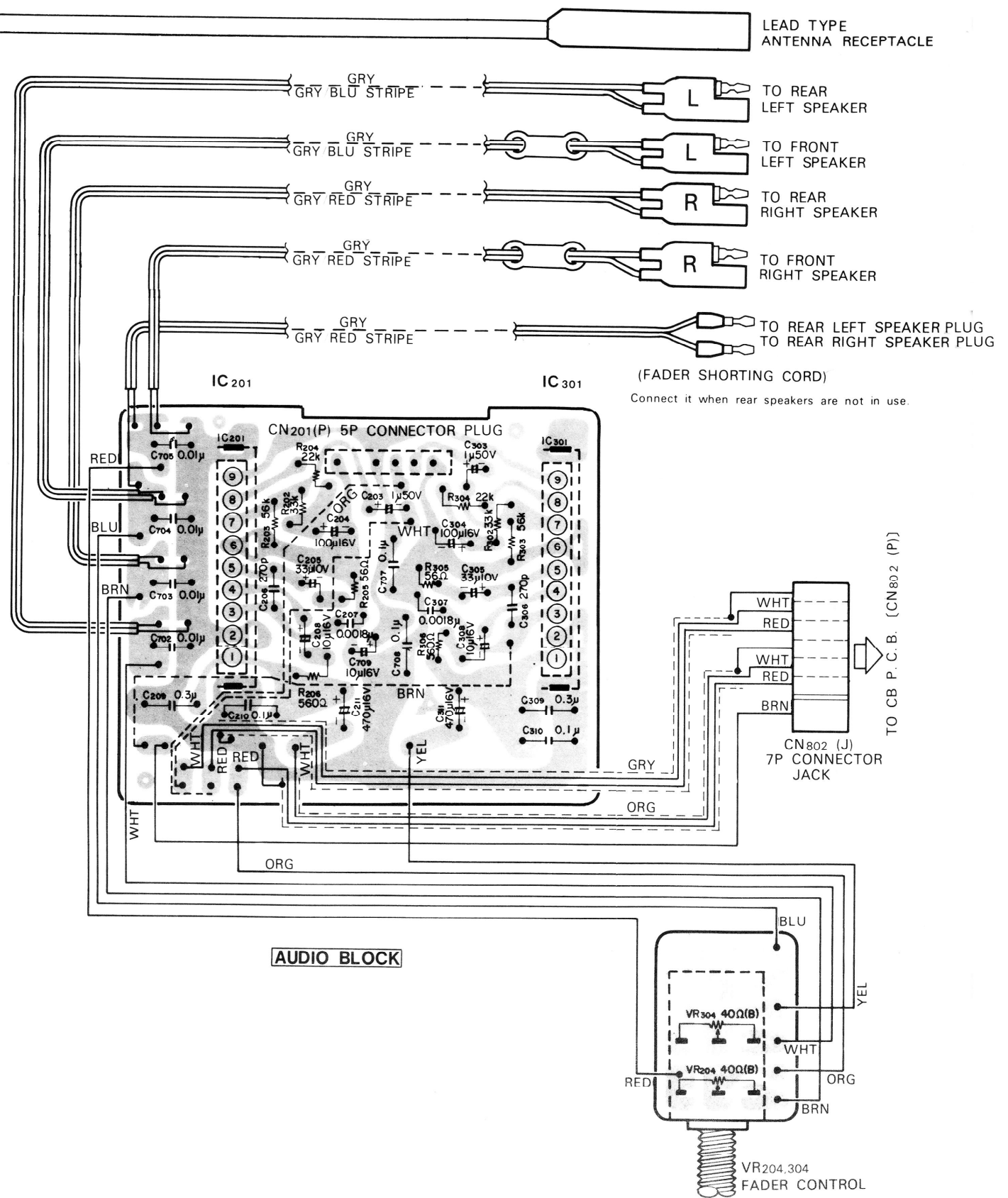
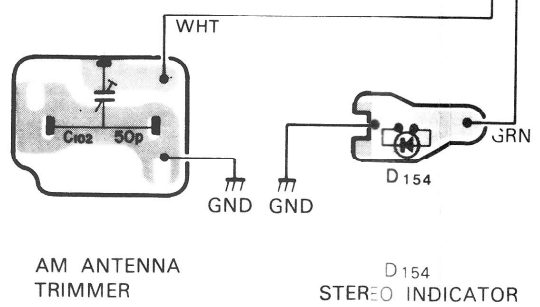


Figure 15. AM/FM/FM-Stereo and Audio Blocks, Wiring Diagram