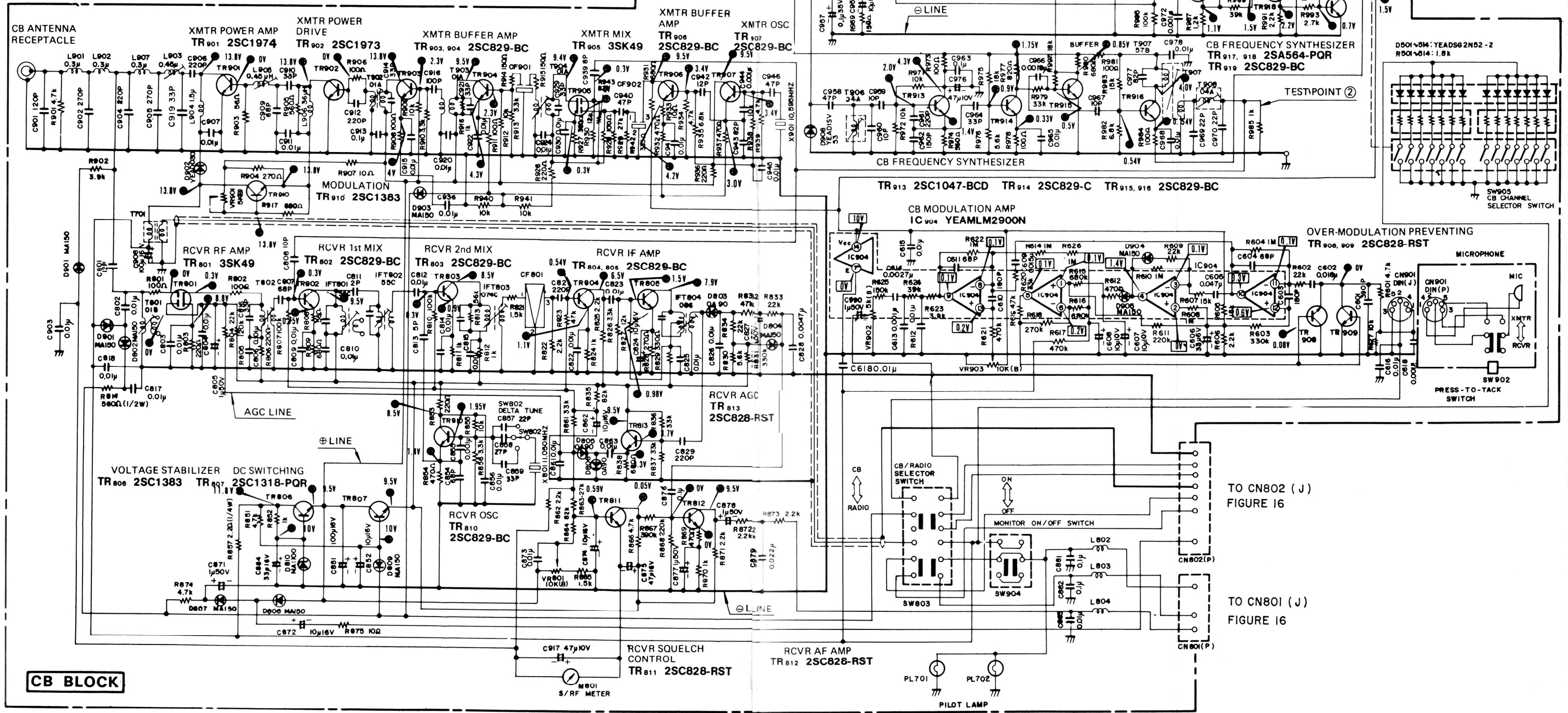


IC901	
1	4.3V
2	1.2V
3	0.1V
4	2.3V
5	0.7V
6	0.4V
7	1.5V
8	4.4V
9	0V

10	4.4V
11	4.4V
12	4.4V
13	4.4V
14	0V
15	0V
16	4V
17	4.4V
18	0V



CB BLOCK

TO CN802 (J)
FIGURE 16

TO CN801 (J)
FIGURE 16

Figure 14. Schematic Diagram – CB Block – 14T405