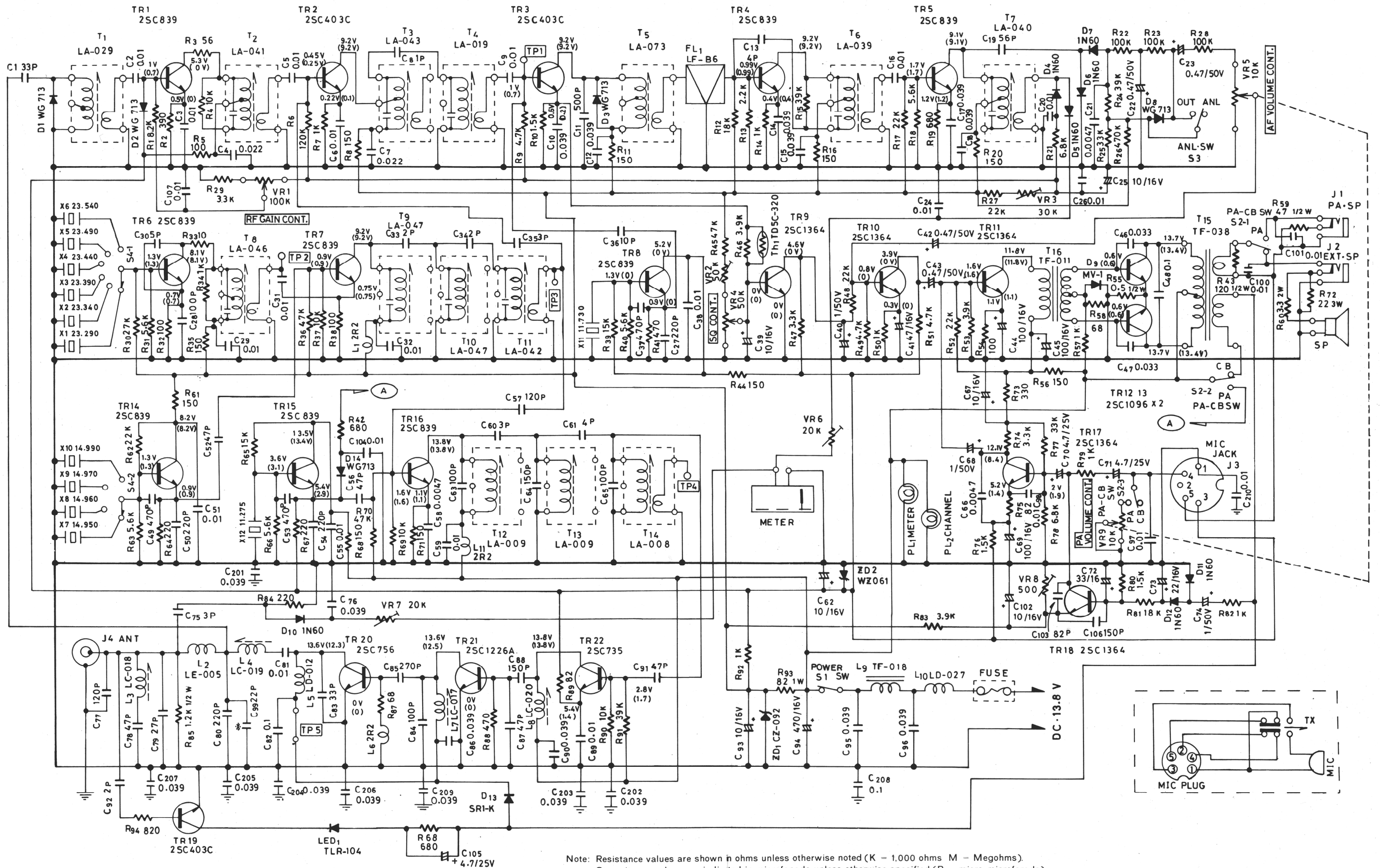


# 10. SCHEMATIC DIAGRAM



Note: Resistance values are shown in ohms unless otherwise noted (K = 1,000 ohms M = Megohms).  
 Capacitance values are indicated in microfarads unless otherwise specified (P = micro-microfarads).  
 Resistor wattages are 1/4W unless otherwise specified.