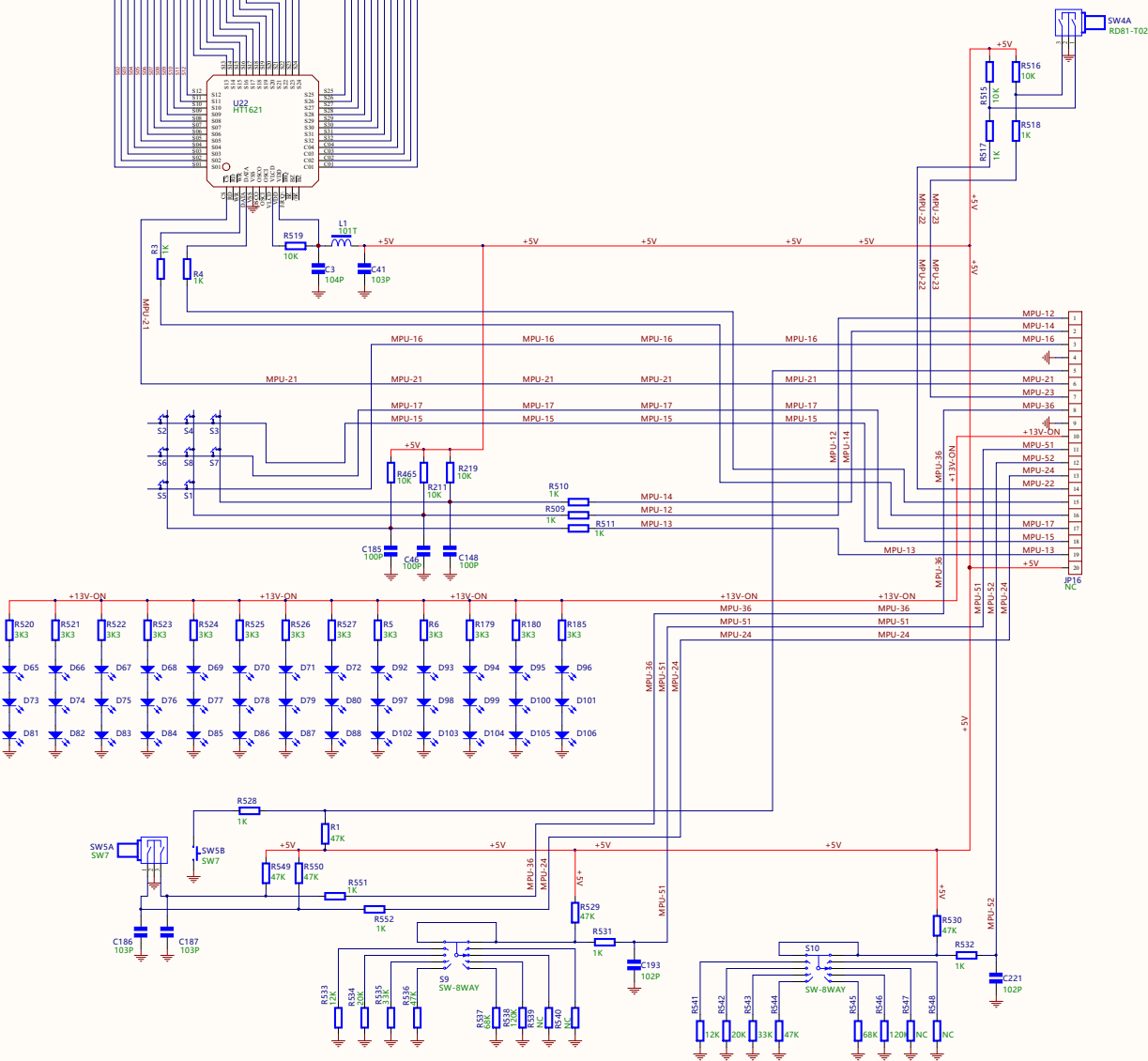
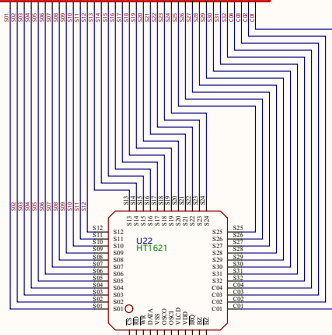


LCD1
SSB
WMV6869ASP



Comment	Description	Designator	Footprint	LibRef	Quantity
104P		C3	C0603	Cap-1	1
103P		C41, C186, C187	C0603	Cap-1	3
100P		C46, C148, C185	C0603	Cap-1	3
102P		C193, C221	C0603	Cap-1	2
LEDO	Typical INFRARED GaAs LED	D65, D66, D67, D68, D69, D70, D71, D72, D73, D74, D75, D76, D77, D78, D79, D80, D81, D82, D83, D84, D85, D86, D87, D88, D92, D93, D94, D95, D96, D97, D98, D99, D100, D101, D102, D103, D104, D105, D106	D0603	LEDO	39
NC		JP16	JP-20	JP20	1
101T		L1	L0603	L-2	1
WMV6869ASP		LCD1	LCD-M9000	LCD-SSB02	1
47K		R1, R529, R530, R536, R544, R549, R550	R0603	Res-1	7
1K		R3, R4, R509, R510, R511, R517, R518, R528, R531, R532, R551, R552	R0603	Res-1	12
3K3		R5, R6, R179, R180, R185, R520, R521, R522, R523, R524, R525, R526, R527	R0805	Res-1	13
10K		R211, R219, R465, R515, R516, R519	R0603	Res-1	6
12K		R533, R541	R0603	Res-1	2
20K		R534, R542	R0603	Res-1	2
33K		R535, R543	R0603	Res-1	2
68K		R537, R545	R0603	Res-1	2
120K		R538, R546	R0603	Res-1	2
NC		R539, R540, R547, R548	R0603	Res-1	4
MENU		S1	KEY	SW-1	1
ENTER		S2	KEY	SW-1	1
VFO		S3, S4	KEY	SW-1	2
1		S5	KEY	SW-1	1
2		S6	KEY	SW-1	1
3		S7	KEY	SW-1	1
		S8	KEY	SW-1	1
SW-8WAY	8Way Switch	S9, S10	KEY1	SW-8WAY	2
RD81-T02		SW4	JK-M9000-ML1702	SW-8	1
SW7		SW5	KEY3	SW-7	1
HT1621		U22	LCC48	U-HT1621-B	1