

GENERAL OPERATING PROCEDURE

CAUTION: BEFORE OPERATING THIS TRANSCEIVER, YOU ARE REQUIRED BY LAW TO READ AND UNDERSTAND PART 95 OF THE FCC RULES AND REGULATIONS.

CHECK TO SEE IF THE PROPER CONNECTIONS HAVE BEEN MADE ON THE POWER CABLE, ANTENNA SYSTEM, AND MICROPHONE.

Receiver

- a. Plug in microphone.
- b. Turn Volume and Squelch control fully counter clockwise.
- c. Rotate channel dial to desired channel.
- d. Rotate Volume control clockwise. You will hear an audible click and the meter and channel dial lights will come on. Continue rotating clockwise to desired listening level.
- e. With no signal present, rotate Squelch control clockwise until the rushing noise disappears. Careful adjustment is necessary.

Transmitter

WARNING: IT IS ILLEGAL TO OPERATE THE TRANSMITTER SECTION OF THIS TRANSCEIVER PRIOR TO RECEIVING A VALID STATION LICENSE AND CALL SIGN FROM THE FEDERAL COMMUNICATIONS COMMISSION.

CAUTION: NEVER OPERATE THIS UNIT WITHOUT AN ADEQUATE ANTENNA SYSTEM OR LOAD. ANTENNA SWR SHOULD NOT EXCEED 3:1. FAILURE TO FOLLOW THESE RECOMMENDATIONS COULD RESULT IN DAMAGE TO THE RF OUTPUT TRANSISTOR.

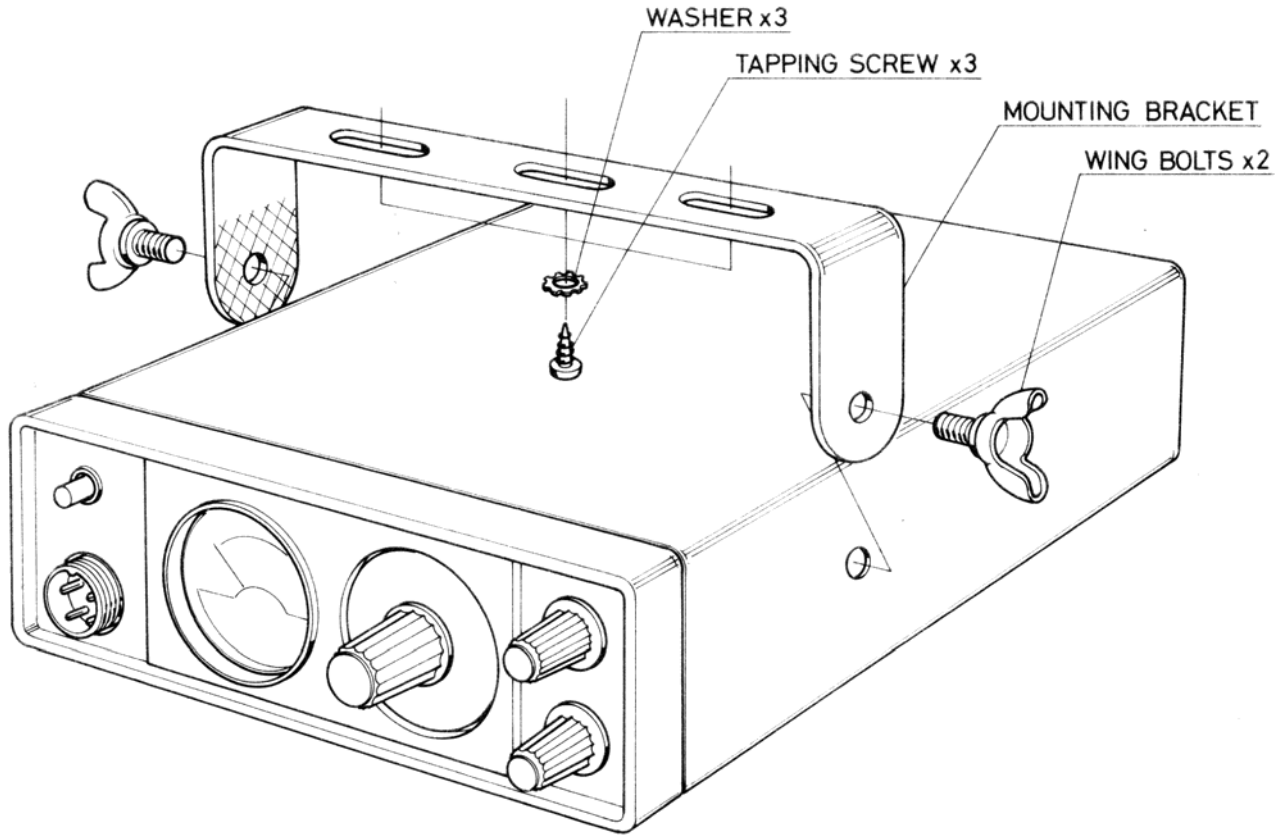
1. Set channel selector to the desired channel.
2. To transmit, depress the Push-To-Talk switch on the microphone. Hold the microphone 3 to 5 inches from your mouth and talk in a normal level.

SERVICING YOUR TRANSCEIVER

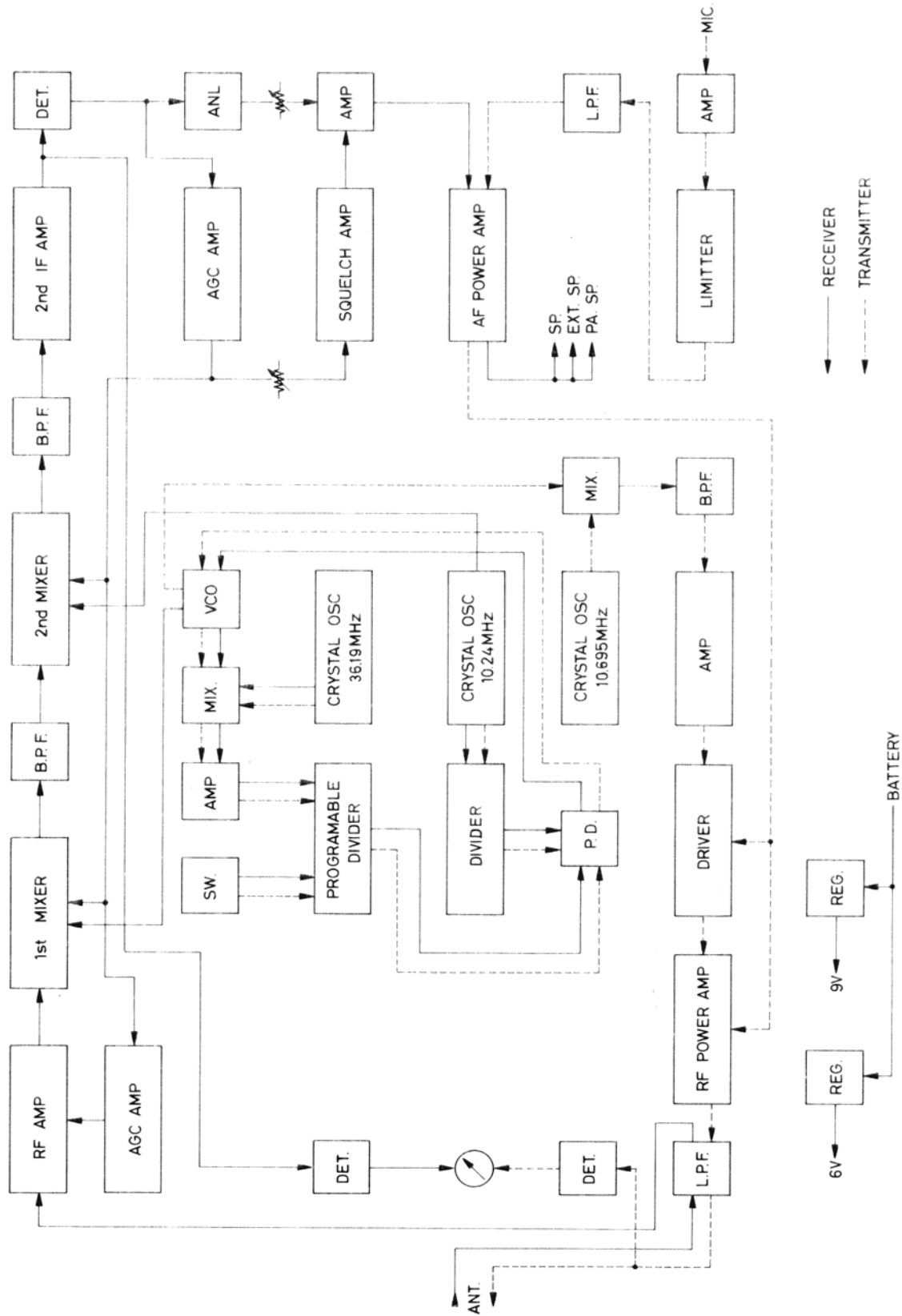
The technical information, diagrams and charts provided in this manual are supplied for the use of a qualified holder of a first or second class radiotelephone license in servicing this transceiver. It is the users responsibility to see that this unit is operating at all times in accordance with the F.C.C. citizens radio service regulations.

If you install your own transceiver, do not attempt to make any transmitter tuning. Adjustments are prohibited by the F.C.C. unless you hold or are in the presence and under the supervision of a first or second class radiotelephone licensed person. A Citizens Band or Amateur license is not sufficient.

MOUNTING INSTRUCTIONS

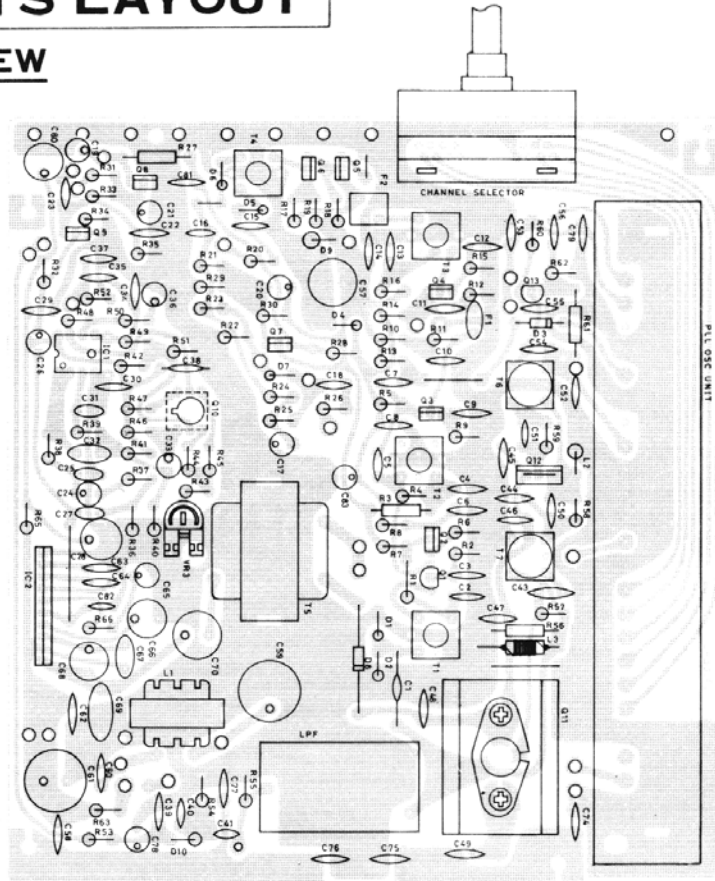


BLOCK DIAGRAM

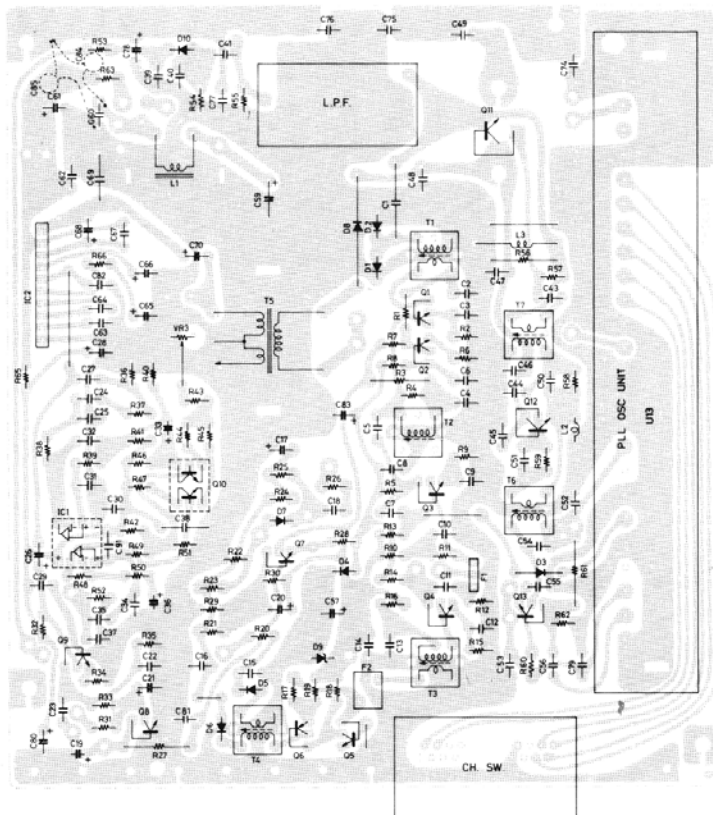


PARTS LAYOUT

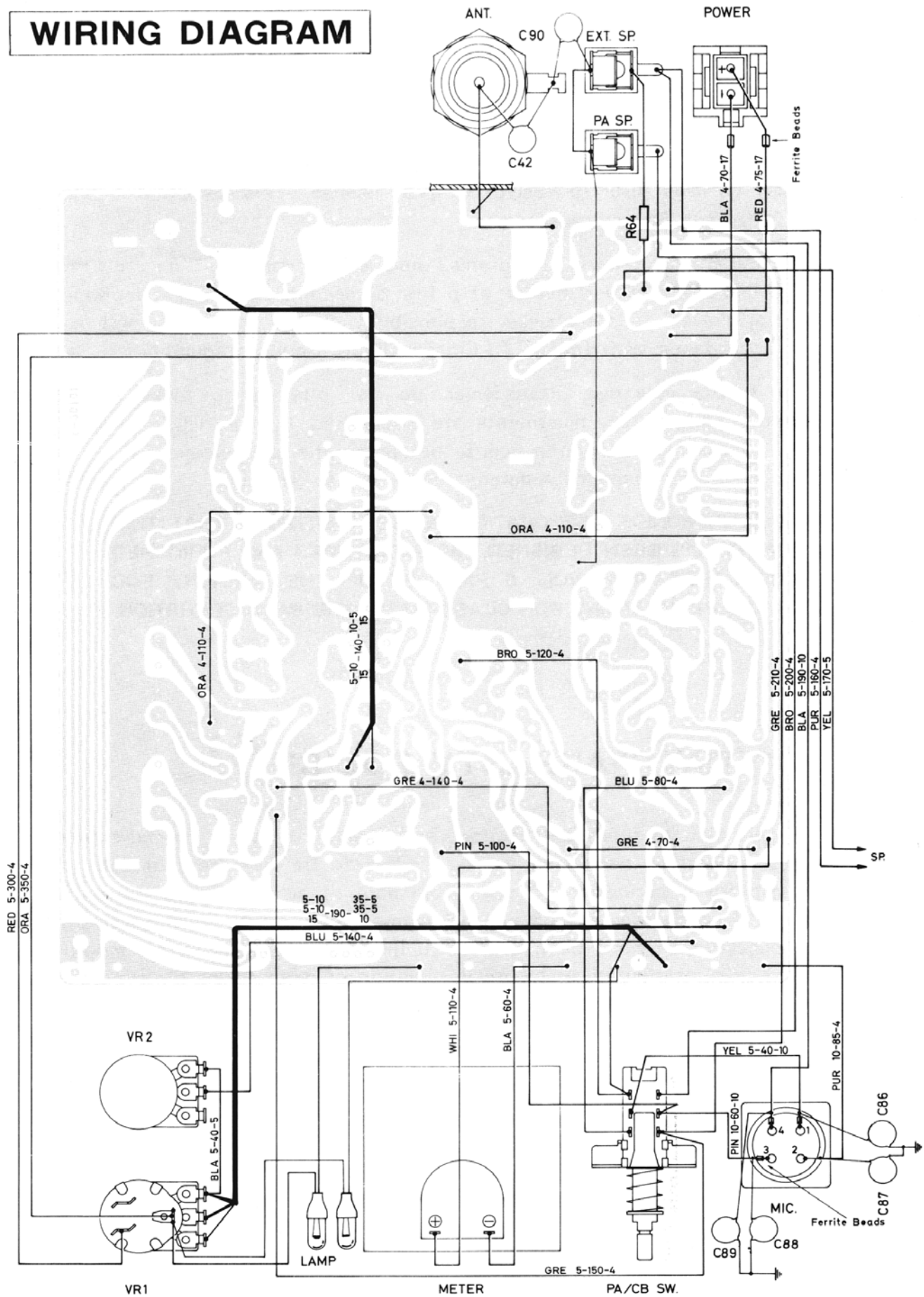
TOP VIEW



BACK VIEW



WIRING DIAGRAM



FEDERAL COMMUNICATION COMMISSIONS REQUIREMENTS

Your new Royce 1-648 is a combination receiver-transmitter designed and built for licensed Class D operation on any of the 23 frequencies designated as citizens band channels by the Federal Communications Commission. You are required to read and understand Part 95 of the F.C.C. rules and regulations prior to operation of this unit. Part 95 regulations are enclosed with this transceiver. You are also required to complete F.C.C. form 505 and submit it to the F.C.C. in order to receive your license to operate this unit. F.C.C. temporal license form may be used prior to receipt of your license. This temporal license form is also enclosed with your Royce transceiver.

NOTE: The technical information, diagrams, and charts provided in this manual are supplied for the use of a qualified holder of a first or second class radiotelephone license in servicing this transceiver. It is the users responsibility to see that this unit is operating at all times in accordance with the F.C.C. Citizens Radio Service regulations.

If you install or service your own transceiver, do not attempt to make any transmitter tuning adjustment. Transmitter adjustments are prohibited by the F.C.C. unless you hold a first or second class radiotelephone license or are in the presence of a person holding such a license. A Citizens Band or Amateur license is not sufficient.

ROYCE ELECTRONICS CORPORATION HEREBY CERTIFIES THAT THIS EQUIPMENT HAS BEEN DESIGNED, MANUFACTURED AND FURNISHED IN ACCORDANCE WITH VOL. 6 PART 95 OF THE CURRENT FCC RULES AND REGULATIONS FOR CLASS D CITIZENS BAND OPERATION.

FULL 90 DAY WARRANTY POLICY

Royce products are built to rigid specifications and quality audited at several stages in their manufacturing. We warrant each new Royce product to be free from defects in material and craftsmanship for a period of 90 days from date of purchase. We will repair free of charge or replace at no charge any unit which becomes defective during the warranty period, except for products which have been subject to misuse, neglect, accident, modification in wiring not of our own installation, or to use in violation of instructions furnished by us. The warranty does not cover any accessory used in connection with this product. In warranty products should be returned to Royce Electronics freight prepaid.

Royce Electronics Corporation will repair or replace, at their option, and return the item freight prepaid.

Royce  **electronics** corporation

Division of Masco Corporation

1746 Levee Road North Kansas City, Missouri 64116

Royce Electronics Corporation Copyright 1977

North Kansas City, Missouri 64116 U.S.A.

Made Exclusively for Royce Electronics Corp. in Japan.