

This Information Is Provided By
CBTricks.com

Royce 1-658 Service Manual

Liability of damages to any equipment is the sole responsibility of the user! Downloading, viewing, or using any information provided on these pages automatically accepts the user to the terms of this agreement!

Modifications are provided for information purposes only!

Supporters of CBTricks.com paid for the hosting so you would have this file.

CBTricks.com is a non-commercial personal website was created to help promote the exchange of service, modification, technically oriented information, and historical information aimed at the Citizens Band, GMRS (CB "A" Band), MURS, Amateur Radios and RF Amps.

CBTricks.com is not sponsored by or connected to any Retailer, Radio, Antenna Manufacturer or Amp Manufacturer, or affiliated with any site links shown in the links database. The use of product or company names on my web site is not endorsement of that product or company.

The site is supported with donations from users, friends and selling of the Site Supporters DVD's to cover some of the costs of having this website on the Internet instead of relying on banner ads, pop-up ads, commercial links, etc. Thus I do not accept advertising banners or pop-up/pop-under advertising or other marketing/sales links or gimmicks on my website.

ALL the money from donations is used for CBTricks.com I didn't do all the work to make money (I have a day job). This work was not done for someone else to make money also, for example the ebay CD sellers.

All Trademarks, Logos, and Brand Names are the property of their respective owners.

This information is not provided by, or affiliated in any way with any radio or antenna Manufacturers.

Thank you for any support you can give.

For information on how to Support CBTricks.com

<http://www.cbtricks.com/support/>

1-658

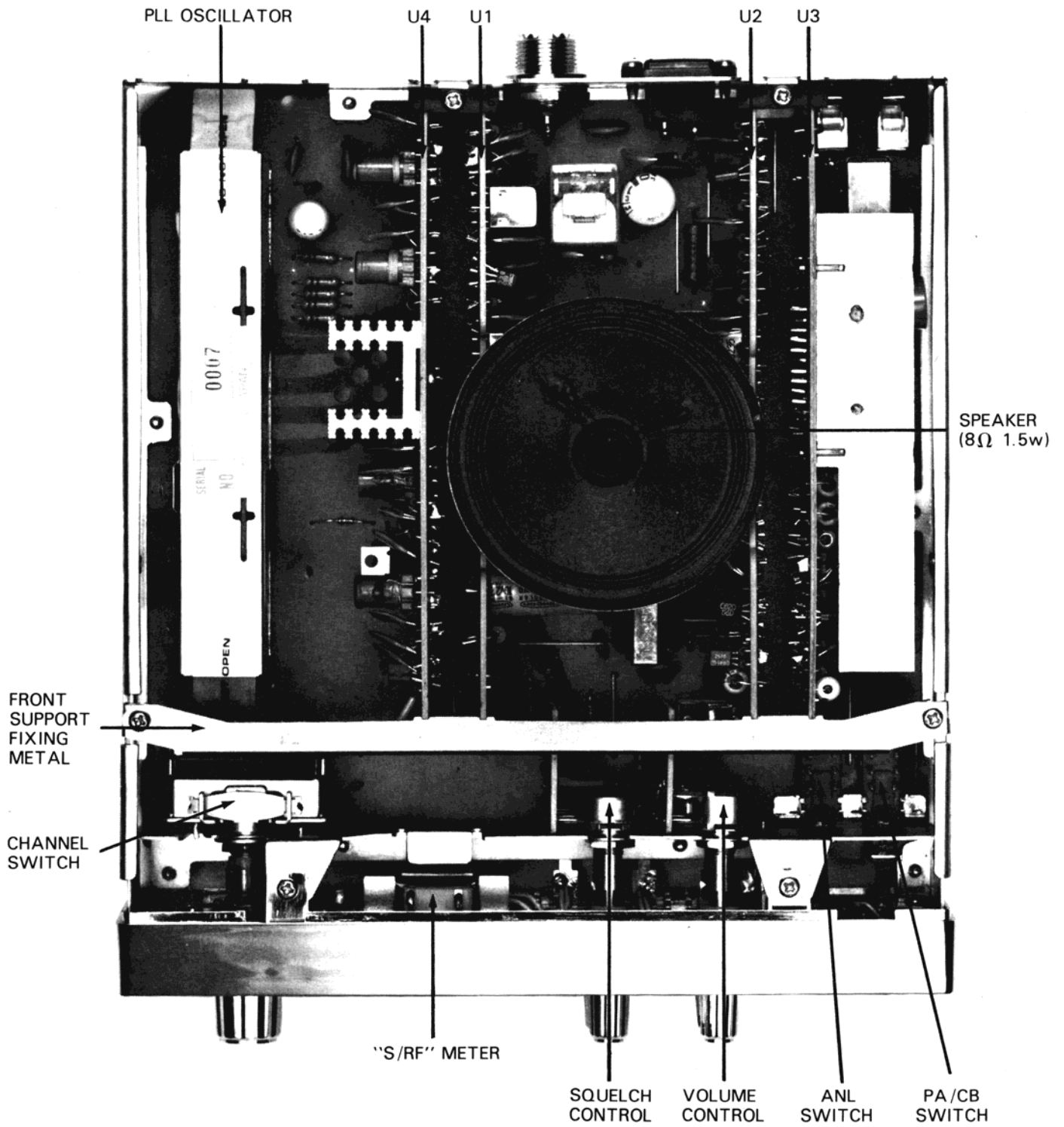


FIG 1

1-658

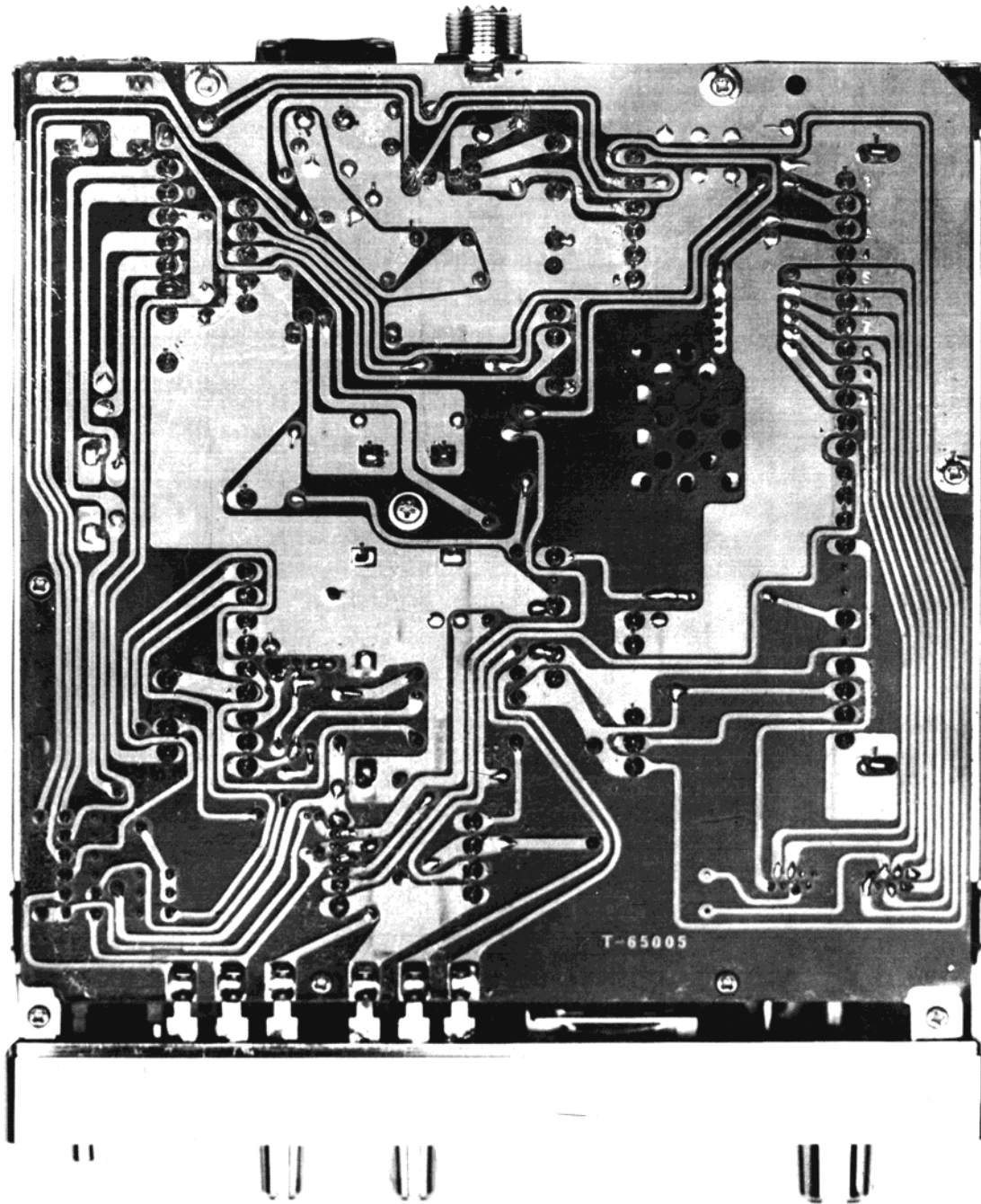
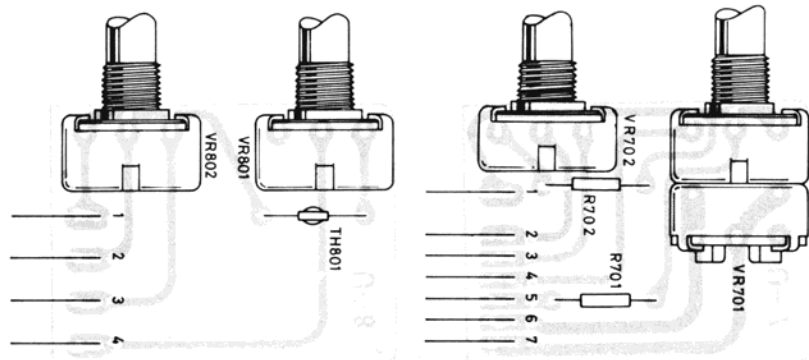
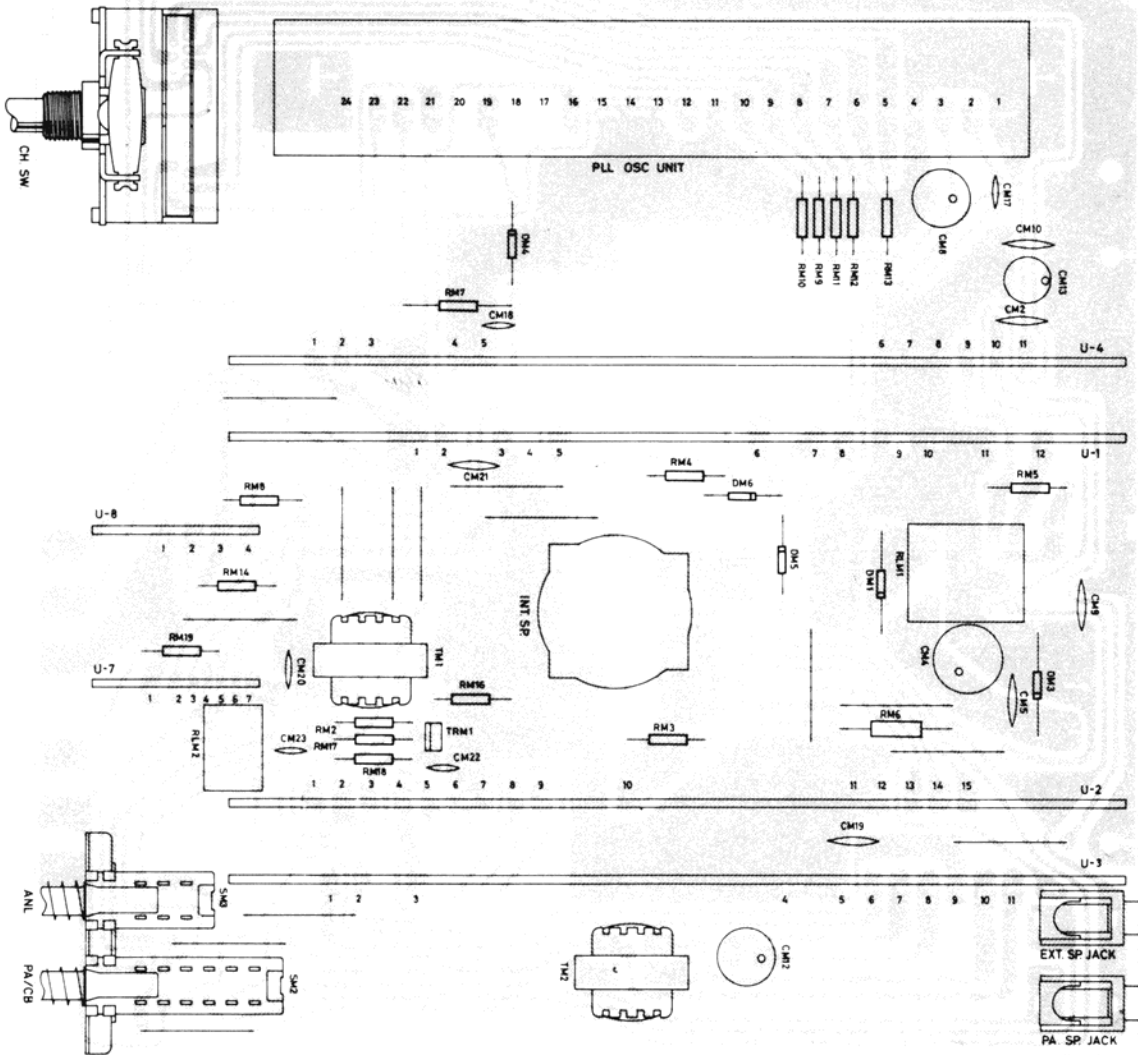
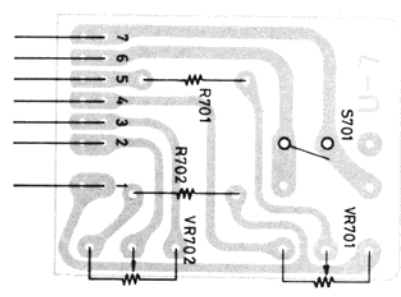
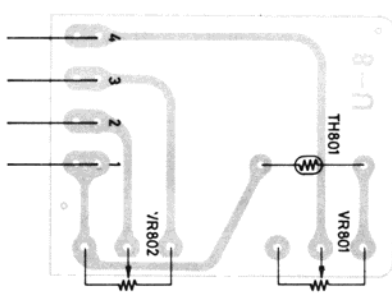
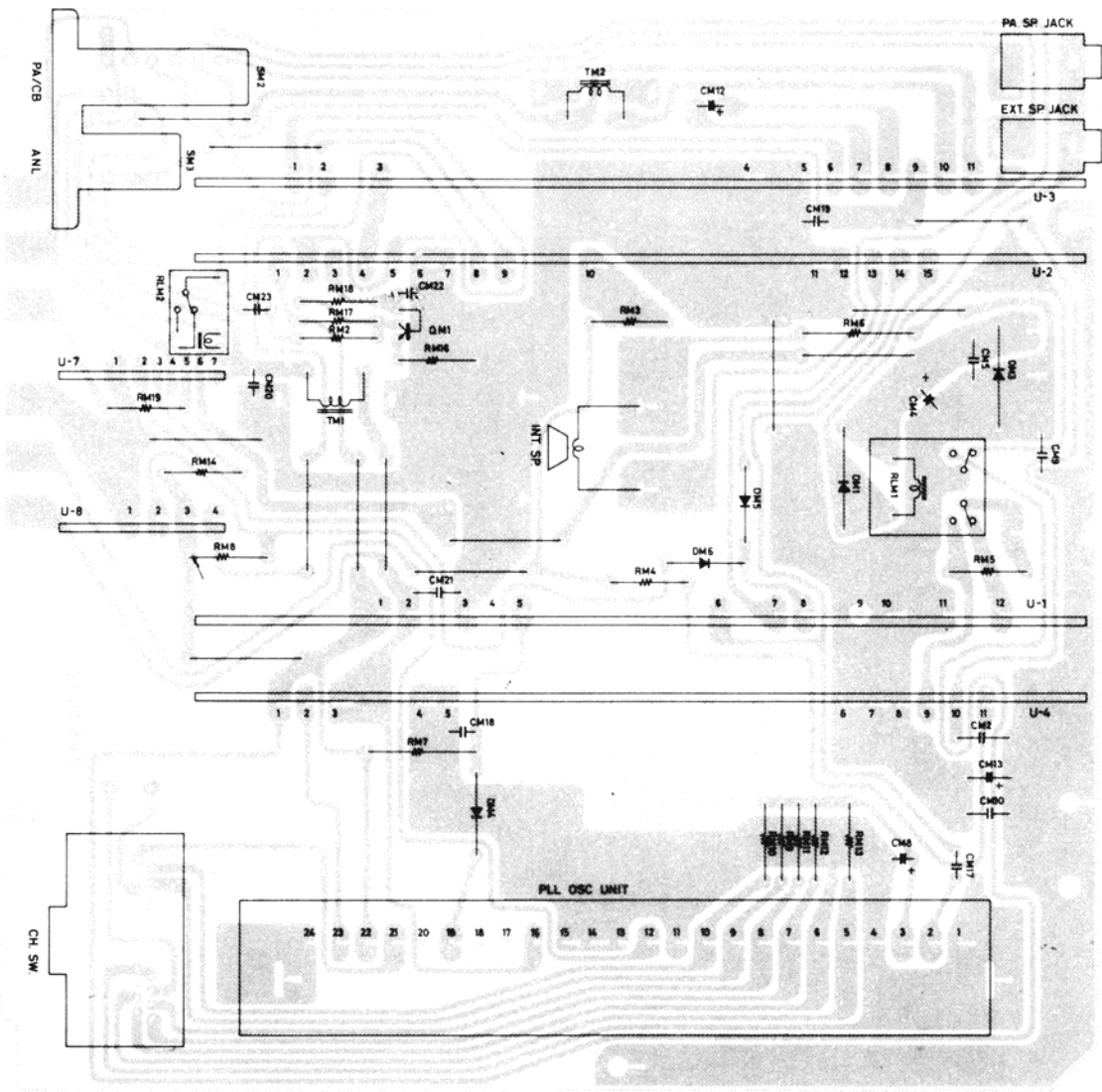


FIG 2

TOP VIEW 1-658

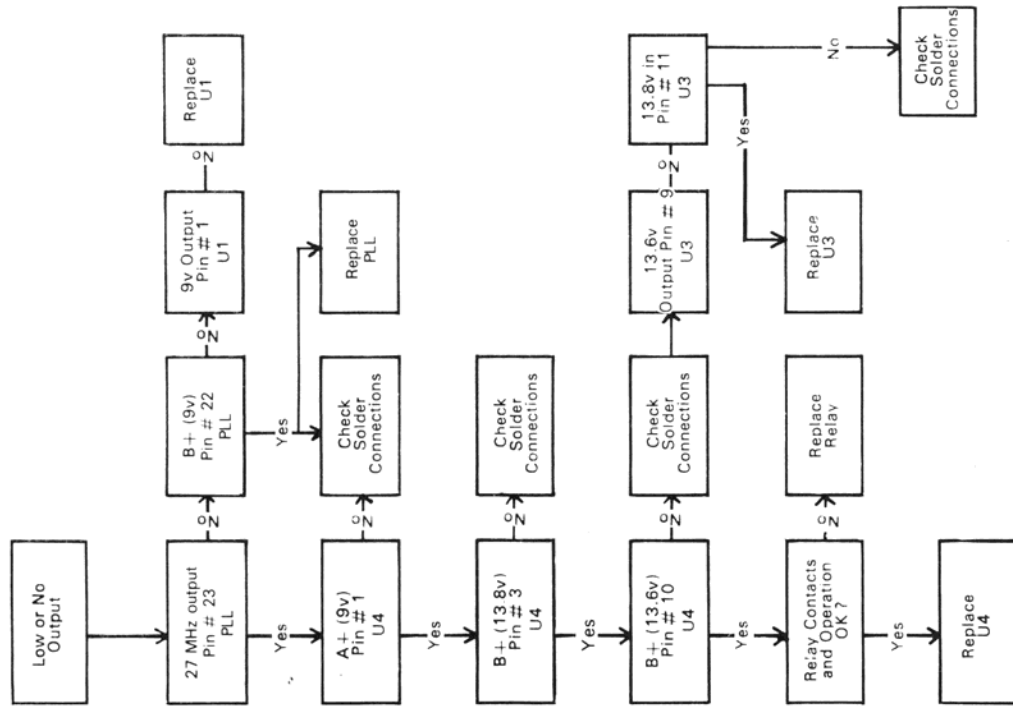


BOTTOM VIEW 1-658

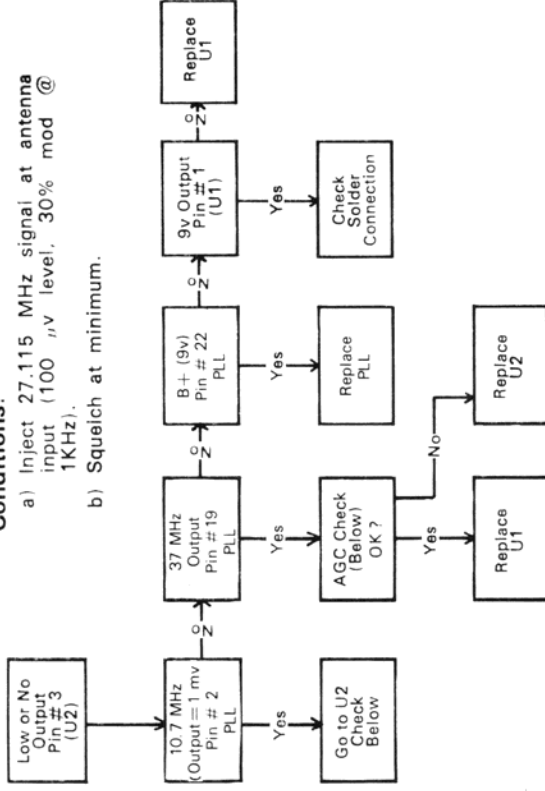


TROUBLE-SHOOTING CHART

Transmitter



Receiver



Conditions:

- a) Inject 27.115 MHz signal at antenna input (100 μ v level, 30% mod @ 1KHz).
- b) Squelch at minimum.

AGC CHECK

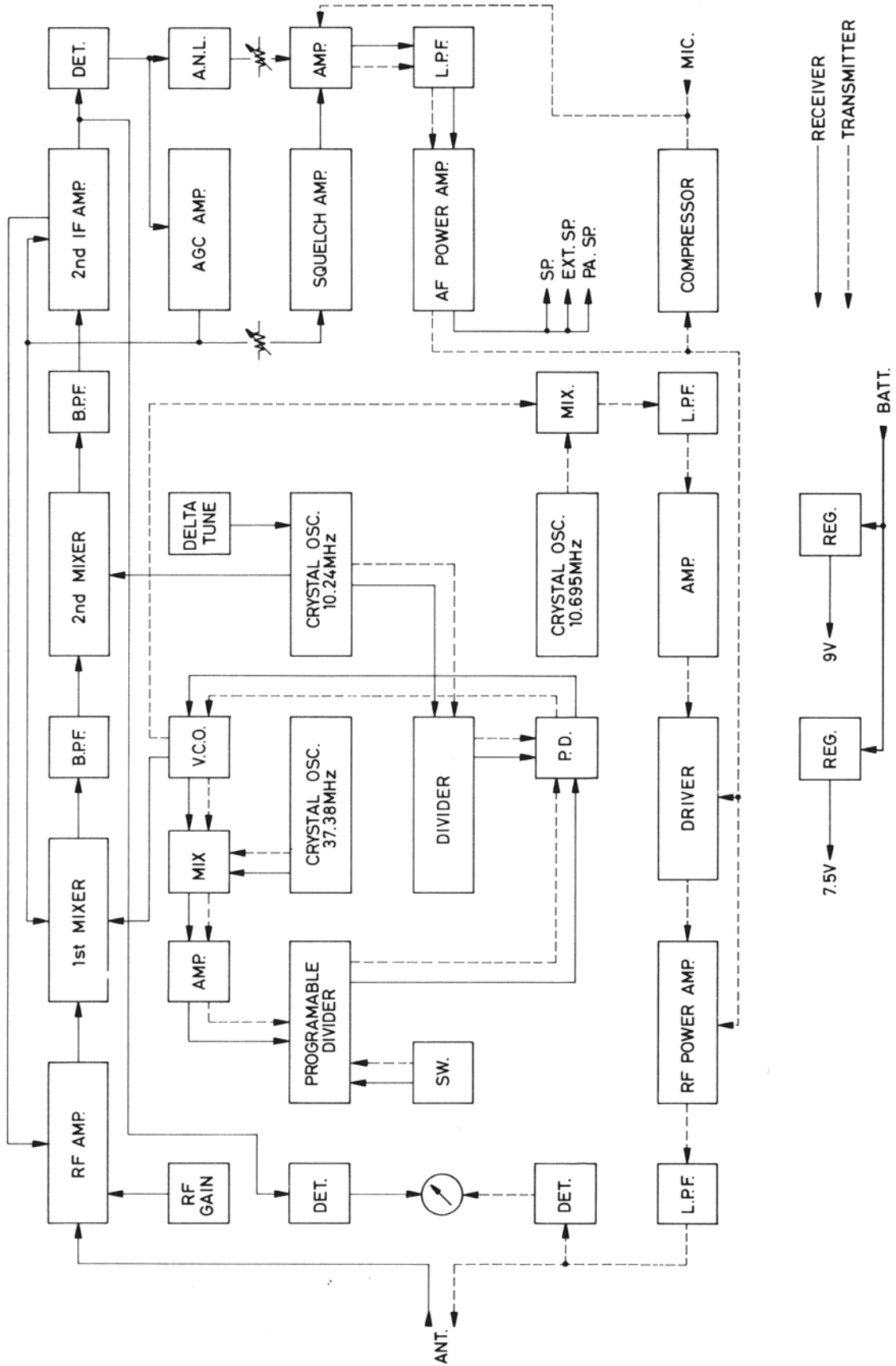
Conditions:

- a) Inject 455 KHz (1mv) at pin 15 (U2), 30% mod @ 1KHz.
- b) Squelch at minimum.
- 1) Disconnect pin 6 (U1), then apply power.
- 2) Inject signal as per conditions above.
- 3) Measure AGC voltage at pin 13 (U2) for the following generator settings:

P13v	
1mv	.45
100 μ v	.54
10 μ v	1.25

BLOCK DIAGRAM

1-658



I-658 Voltage Chart

		Vb (V)		Vc (V)		Ve (V)		
		RX	TX	RX	TX	RX	TX	
Q101	2SC1856	1.6	0	7.0	0	0.9	0	
Q102	2SC710C	1.2	0	7.9	0	0.7	0	
Q201	2SC711E	0.6	0	4.6	0	0	0	
Q202	2SC711E	1.2	0	2.1	0	0.6	0	
Q203	2SC711D	0.7	0	4.5	0	0	0	
Q204	2SA695D	4.5	0	0	0	5.1	0	
Q205	2SC620D	0.7	0	0	0	0	0	NO SQUELCH
		0.1	0	2.1	0	0	0	SQUELCH
Q206	2SC945Q	0.1	0	2.1	0	0	0	NO SQUELCH
		0.7	0	0.1	0	0	0	SQUELCH
Q207	2SC945Q	2.5	0	8.6	0	1.9	0	
Q301	2SB561B		0 [*] ~0.5		—		0	※ MIC INPUT LEVEL 0~100mV/600Ω
Q302	2SC711E	1.2	1.2	11.9	11.9	0.5	0.5	NO SQUELCH
		1.1	1.2	13.3	11.9	1.4	0.5	SQUELCH
Q401	2SC1908	2.1	1.8	13.8	13.8	8.6	1.3	
Q402	2SC1728		—	12.7	12.7		—	
Q403	2SC756A(2)		—	12.7	12.7		—	

PIN NO		1	2	3	4	5	6	7	8	9	10	11
Q303	AN315	V 5.7	0	1.2	6.9	10.7	5.7	0	5.7	5.7	13.0	13.6

I-658 Alignment Instruction

RECEIVER

- A. Inject at the ant. jack a 27.115MHz signal ($\pm .002\%$; 30% modulation at 1KHz).
 B. Connect an audio voltmeter and oscilloscope across on 8 ohm load and plug into external speaker jack.

Test Equipment	Test Point	Adjust	Remarks
1. RF signal generator (low range to avoid audio saturation)	Inject at ant. jack	Channel sel to 13	_____
		T-101, T-102, T-201,	Max. output with vol. control at max, squelch control at min. output should be more than 500mw (2.0v/8 ohm) with gen. voltage at $1\mu\text{V}$; S & N/N= more than 10dB on all channels

AGC RESPONSE

Set the output voltage of a signal generator at $50000\mu\text{V}$ and adjust the volume control so that the voltmeter output is 500mW (2.0v/8 ohms). Then, lower the output voltage of the generator so that the voltmeter output is 10dB down. The output voltage of the signal generator should be under $5\mu\text{V}$ at this time.

AUDIO POWER CHECK

With a generator output of 1mV and squelch control at minimum, audio output should be more than 4W (5.7v/8 ohm) at maximum position of volume control.

TRANSMITTER

- A. Power Supply — 13.8VDC.
 B. Use a suitable power meter, non-inductive dummy load and oscilloscope connected to antenna jack.

Test Equipment	Test Point	Adjust	Remarks
1. Power Meter	antenna jack	T-401, T-402, L-403, L-404,	Adjust for maximum output power
2. Freq. Counter	across dummy load	_____	Check all channels $\pm 800\text{Hz}$
3. A.F. Oscillator with AF voltmeter in shunt (1KHz 10mV)	Inject at mic input	_____	— 90% modulation on oscilloscope
		_____	Reduce AF oscillator output to 5mV; modulation $\geq 50\%$

SPECIFICATIONS

GENERAL

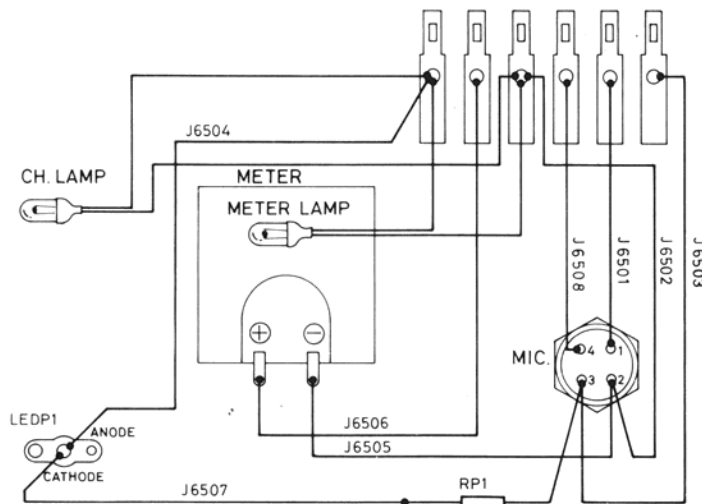
- | | |
|--|---|
| 1. Semiconductors | : 28 transistors, 23 diodes and 4 integrated circuits.
(3 CMOS IC'S) |
| 2. Self Contained Speaker | : 3 inch, 8 ohm voice coil. |
| 3. Microphone | : Dynamic microphone with push-to-talk switch, 500 ohms. |
| 4. Controls, Indicators and Connectors | : Volume control with power on-off switch.
: Variable Squelch Control.
: Channel Selector.
: Illuminated Channel Indicator.
: Variable Fine Tuning control.
: Variable RF Gain.
: Pushbutton A.N.L.
: Pushbutton PA-CB.
: Coaxial type antenna connector.
: Vol-U-Mike.
: External Speaker Jack.
: Public Address Speaker Jack.
: Microphone Connector. |
| 5. Power Supply | : 13.8 Volts DC (positive or negative ground). |
| 6. Cabinet Description | : Plastic front with chrome plating and vinyl coated metal cabinet. |
| 7. Dimensions | : 7-9/16"(W) × 2-3/8"(H) × 8-13/16"(D). |

RECEIVER

- | | |
|--|-----------------------------------|
| 1. Frequency Range (MHz) | : 26.965~27.255. |
| 2. Sensitivity | : 0.5 Microvolts for 10db S+N/N. |
| 3. Selectivity | : 5KHz minimum at 6db down. |
| 4. Adj. Channel Rejection | : More than 60db. |
| 5. Audio Power output at 8 ohm | : More than 4W at 10% distortion. |
| 6. Audio fidelity
(1KHz=0db, 6 db down) | : 400Hz~2,000Hz. |
| 7. A.G.C. figure of merit
(input 94db for 10db range) | : More than 80db. |
| 8. Squelch sensitivity
(Thres-hold) | : 0.3~500 Microvolts. |
| 9. Spurious Rejection | : 55db or more. |

TRANSMITTER

- | | |
|--------------------------|-------------------|
| 1. Frequency Range (MHz) | : 26.965~27.255. |
| 2. RF Output Power | : 4W average. |
| 3. Modulation Capability | : 100%. |
| 4. Spurious Suppression | : More than 50db. |
| 5. Frequency Tolerance | : ±0.005%. |



1-658 SERVICE NOTES

1. After localizing a defective module, it will be necessary to remove the module front support metal before the module can be extracted (see Figure 1).
2. Take particular care in desoldering and resoldering on the main chassis. Engineering tests indicate an average of five solderings before damage results to the foil patterns.
3. If it becomes necessary to remove boards U1 or U2, it is also necessary to remove the entire speaker assembly on some models.
4. The PLL oscillator module is not designed as a field-serviceable unit. Parts will not be made available, so please do not attempt repair. Return defective modules for replacement.