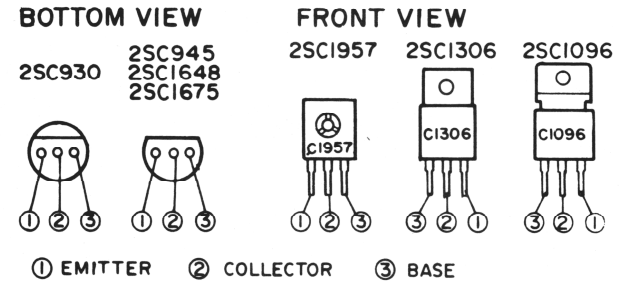
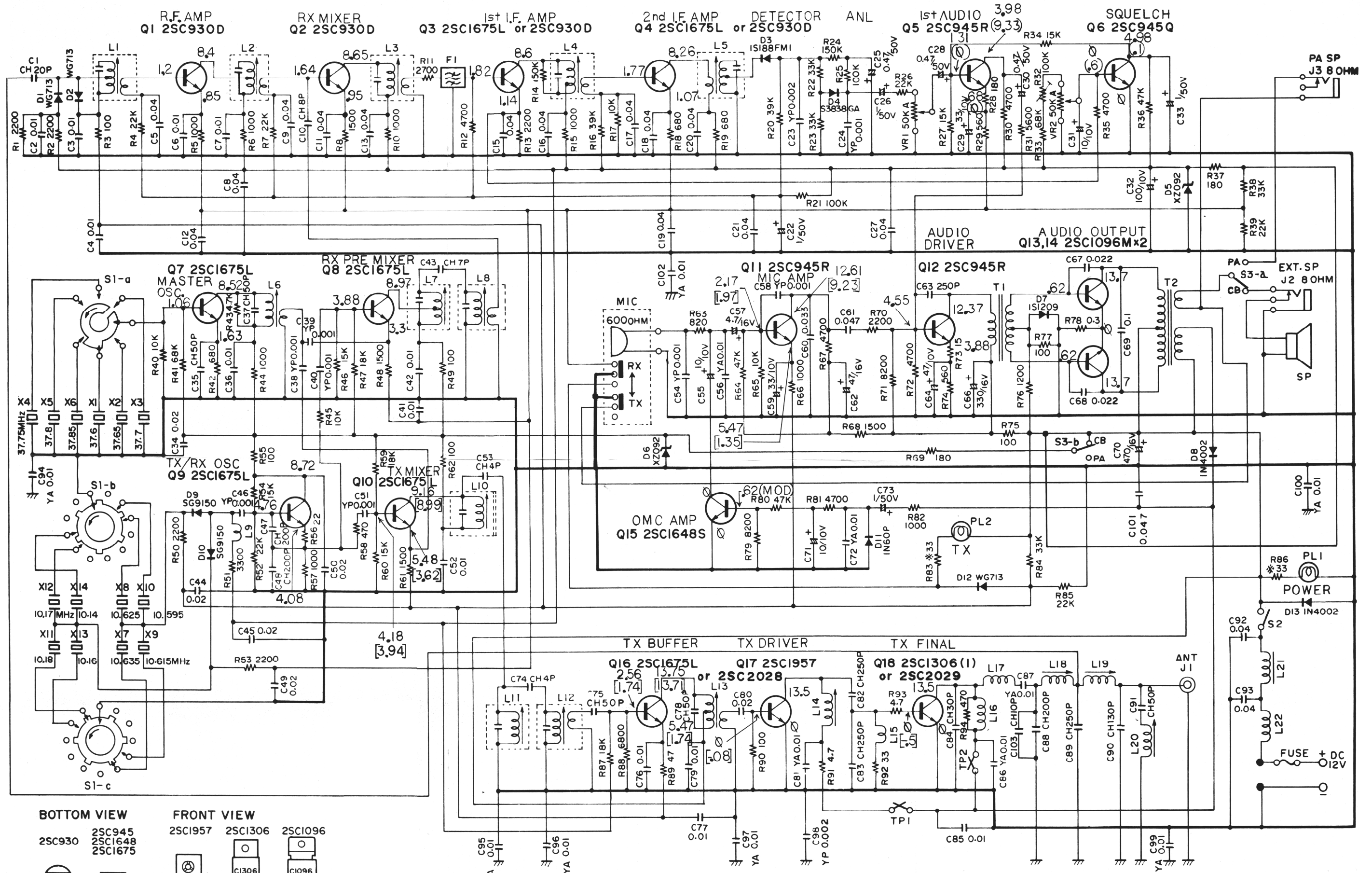


# SCHEMATIC DIAGRAM M-349



[ ] VOLTAGES TX MODE  
 ( ) FULLY SQUELCHED VOLTAGE