

SPECIFICATIONS

General

Compliance	F.C.C. Type Accepted (Part 95, Class D)
Channels	40
Frequency Range	26.965 to 27.405 MHz
Frequency Control	Crystal control, digitally Synthesized
Frequency Tolerance	0.003%
Operating Temperature Range	-30°C to +50°C
Humidity	+95%
Input Voltage	13.8V DC positive or negative ground
Microphone	Dynamic
Size	Height: 62 mm (2.44") Width: 197 mm (7.75") Depth: 220 mm (8.66")
Weight	4 pounds, 1.8 Kg.

Receiver

Sensitivity	AM: 0.7uV for 10db S+N/N ratio SSB: 0.25uV for 10db S+S/N ratio
Selectivity	AM: -65db @ 10 KHz
IF Frequencies	7.8 MHz
Image Rejection	-65db
Automatic Gain Control	Less than 10db change in audio output for signal input from 3-500,000uV
Squelch	Threshold 1uV
Clarifier Range	±1500 Hertz
Audio Output Power	2.5 watts at less than 10% distortion at 1 KHz
Frequency Response	350-2500 Hertz
Built-in Speaker	8 ohms, 3" round
External Speaker (not supplied)	8 ohms, disables internal speaker when connected

Transmitter

Power Output	AM: 4 watts (maximum) SSB: 12 watts PEP (maximum)
Modulation	AM: limited to 100%
Modulator Response	350-2500 Hertz
Output Impedance	50 ohms unbalanced
Spurious Emission	greater than 60db
Carrier Suppression	greater than 60db
Unwanted Sideband	greater than 50db
ALC Control	holds PEP output to 1db increase with 10db increase in audio input

PA System

Power Output	2.5 watts into external 8 ohm PA speaker.
--------------	---

Power Requirements

DC	Received mode squelched .8 amps Received mode full audio 1.3 amps TX mode AM — no modulation 2.5 amps 100 % modulation 3.0 amps SSB TX mode — no modulation 1.0 amps SSB full modulation 3.0 amps
----	--

SERVICE

If your Sidebander VI fails to perform as stated in this manual, it is recommended that SBE be contacted in writing at the following address:

SBE, INC.
220 Airport Boulevard
Watsonville, California 95076

SBE will either authorize return of the unit to the factory or refer you to an authorized SBE repair agency in your area. Do not ship equipment without prior written authorization from SBE. Your letter to SBE must include the following particulars.

1. Model number and serial number of equipment.
2. Date of purchase of equipment.
3. Nature of trouble.
4. Cause of trouble if known
5. Name of distributor from whom the equipment was purchased.
6. Your return address.
7. Method of shipment by which the equipment should be returned.
8. Should your unit require warranty service, proof of purchase will be necessary.

Also, include any information that you feel will be helpful in locating or correcting the problem.

ORDERING PARTS

When ordering replacement parts, direct your order to an SBE distributor or SBE's parts facility at:

220 Airport Boulevard
Watsonville, California 95076

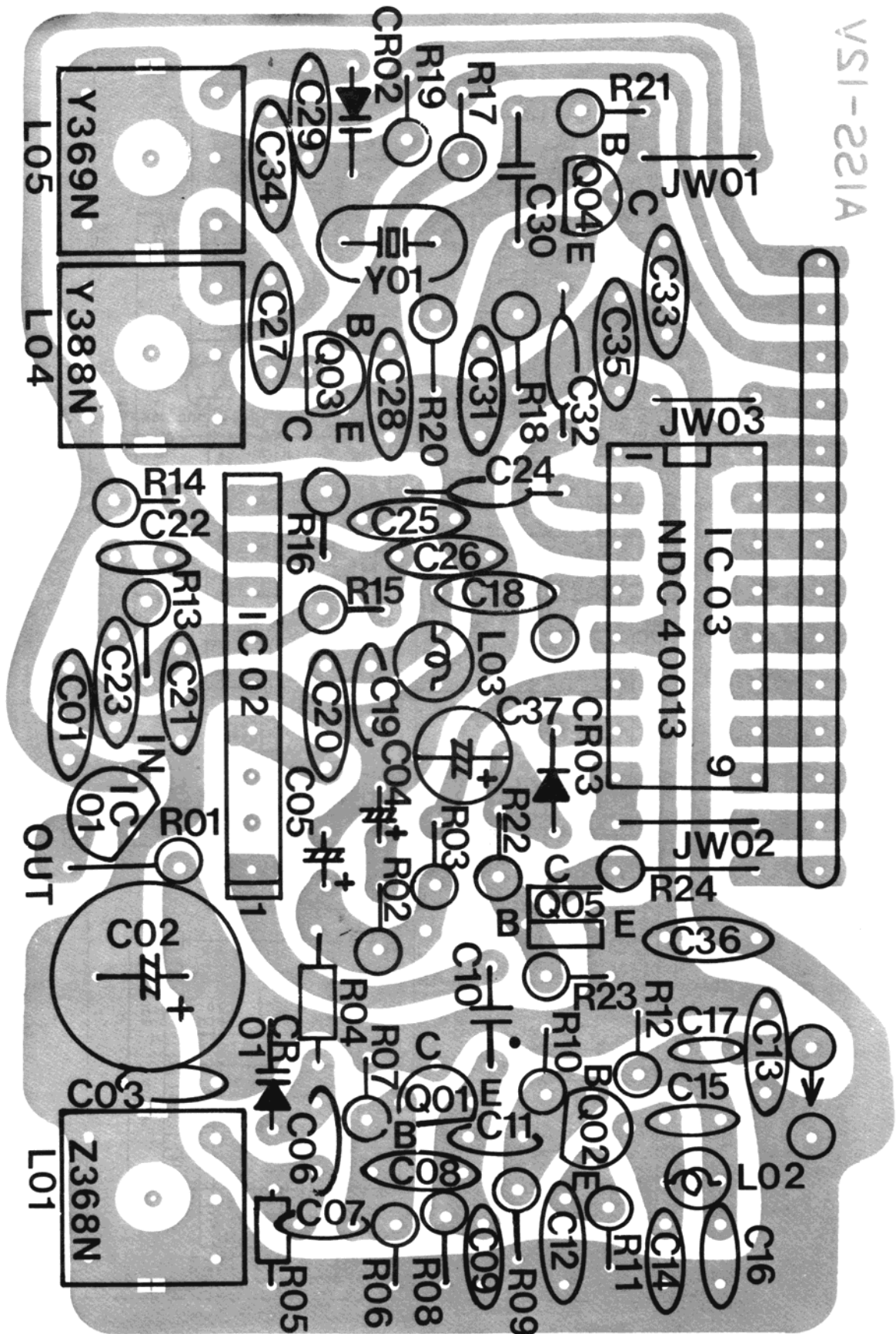
Please furnish the following information:

1. Quantity required.
2. SBE part number and description.
3. Item or symbol number obtained from parts list, schematic or component location drawing.
4. SBE model number and serial number.

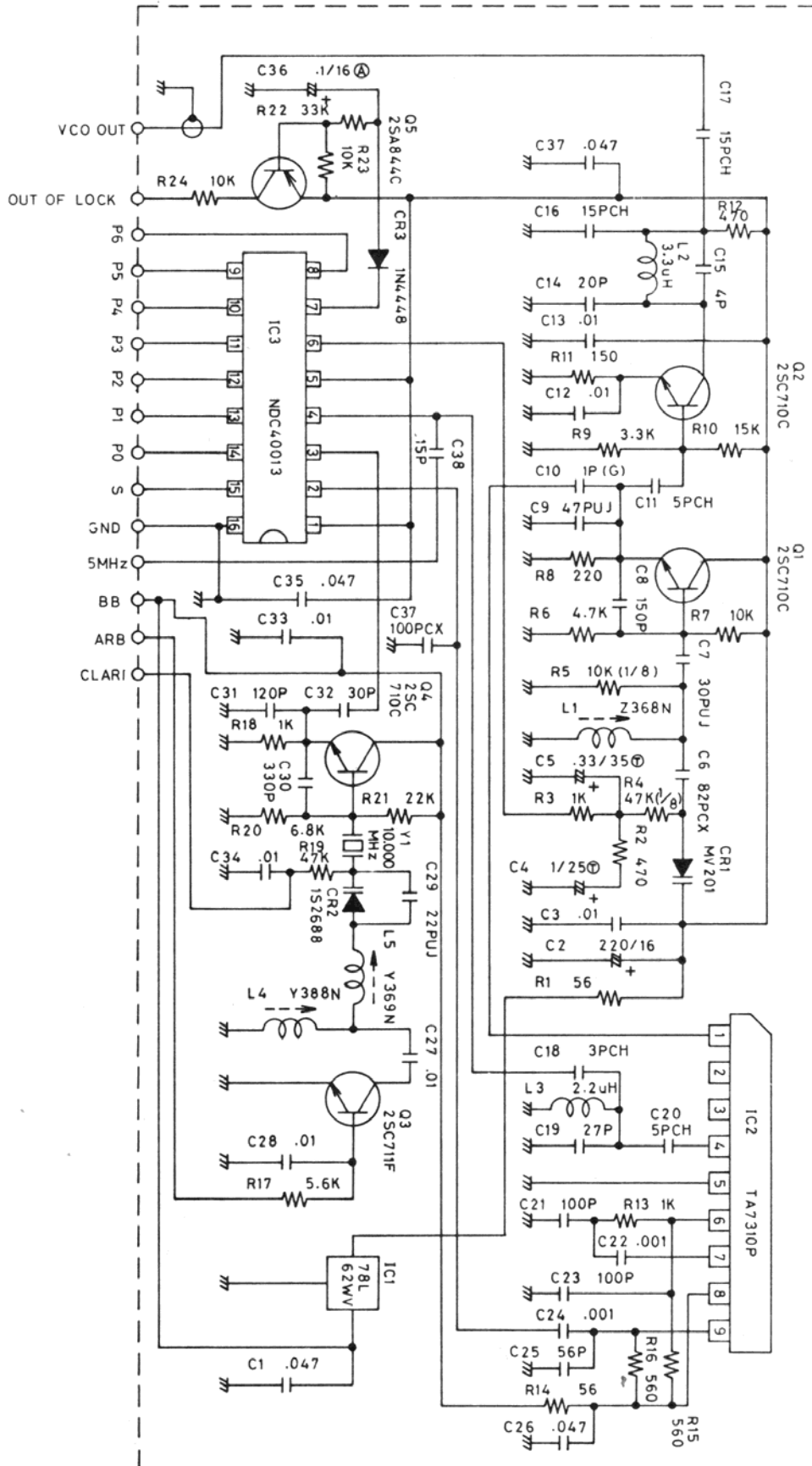
Unless specified, SBE will determine the best method of shipment for the parts involved. If payment does not accompany the order, parts will be sent C.O.D.

PLL PCB

V51-221A



PLL SCHEMATIC DIAGRAM



SIDEBANDER VI PARTS LIST

SYMBOL #	PART #	DESCRIPTION
C1	1-.047M50	Capacitor, 0.047mfd, 50V, Ceramic
C2	4-220M16	Capacitor, 220mfd, 16V, Electrolytic
C3	1-.01M50	Capacitor, 0.01mfd, 50V, Ceramic
C4	5-1M25	Capacitor, 1mfd, 25V, Tantalum
C5	5-.22M25	Capacitor, 0.22mfd, 25V, Tantalum
C6	2-56P50	Capacitor, 56pfd, 50V, Mica
C7	2-30P50-UJ	Capacitor, 30pfd, UJ, 50V, Mica
C8	2-150P50	Capacitor, 150pfd, 50V, Mica
C9	2-47P50-UJ	Capacitor, 47pfd, UJ, 50V, Mica
C10	6-1P	Capacitor, 1pfd, Gimmic
C11	1-5P50	Capacitor, 5pfd, 50V, Ceramic
C12	1-.01M50	Capacitor, 0.01mfd, 50V, Ceramic
C13	1-.01M50	Capacitor, 0.01mfd, 50V, Ceramic
C14	1-20P50	Capacitor, 20pfd, 50V, Ceramic
C15	2-4P50	Capacitor, 4pfd, 50V, Mica
C16	1-15P50	Capacitor, 15pfd, 50V, Ceramic
C17	1-15P50	Capacitor, 15pfd, 50V, Ceramic
C18	1-3P50	Capacitor, 3pfd, 50V, Ceramic
C19	1-27P50	Capacitor, 27pfd, 50V, Ceramic
C20	1-5P50	Capacitor, 5pfd, 50V, Ceramic
C21	1-100P50	Capacitor, 100pfd, 50V, Ceramic
C22	1-.001M50	Capacitor, 0.001mfd, 50V, Ceramic
C23	2-100P50	Capacitor, 100pfd, 50V, Mica
C24	1-.001M50	Capacitor, 0.001mfd, 50V, Ceramic
C25	1-56P50	Capacitor, 56pfd, 50V, Ceramic
C26	1-.047M50	Capacitor, 0.047mfd, 50V, Ceramic
C27	1-.01M50	Capacitor, 0.01mfd, 50V, Ceramic
C28	1-.01M50	Capacitor, 0.01mfd, 50V, Ceramic
C29	2-22P50-UJ	Capacitor, 22pfd, UJ, 50V, Mica
C30	2-330P50	Capacitor, 330pfd, 50V, Mica
C31	1-120P50	Capacitor, 120pfd, 50V, Ceramic
C32	2-30P50	Capacitor, 30pfd, 50V, Mica
C33	1-.01M50	Capacitor, 0.01mfd, 50V, Ceramic
C34	1-.01M50	Capacitor, 0.01mfd, 50V, Ceramic
C35	1-.047M50	Capacitor, 0.047mfd, 50V, Ceramic
C36	4-.1M16	Capacitor, 0.1mfd, 16V, Aluminum
C37	1-.047M50	Capacitor, 0.047mfd, 50V, Ceramic
C38	2-15P50	Capacitor, 15pfd, 50V, Mica
C101	2-35P50	Capacitor, 35pfd, 50V, Mica
C102	4-1M50	Capacitor, 1mfd, 50V, Electrolytic
C103	1-.01M50	Capacitor, 0.01mfd, 50V, Ceramic
C104	1-.01M50	Capacitor, 0.01mfd, 50V, Ceramic
C105	1-.01M50	Capacitor, 0.01mfd, 50V, Ceramic
C106	1-.01M50	Capacitor, 0.01mfd, 50V, Ceramic
C107	1-.01M50	Capacitor, 0.01mfd, 50V, Ceramic
C108	1-.01M50	Capacitor, 0.01mfd, 50V, Ceramic
C109	6-2P	Capacitor, 2pfd, Gimmic
C110	1-.01M50	Capacitor, 0.01mfd, 50V, Ceramic

SYMBOL #	PART #	DESCRIPTION
C111	1-.01M50	Capacitor, 0.01mfd, 50V, Ceramic
C112	2-15P50	Capacitor, 15pfd, 50V, Mica
C113	3-.02M50	Capacitor, 0.02mfd, 50V, Mylar
C114	3-.01M50	Capacitor, 0.01mfd, 50V, Mylar
C115	Not Used	
C116	1-.01M50	Capacitor, 0.01mfd, 50V, Ceramic
C117	2-15P50	Capacitor, 15pfd, 50V, Mica
C118	2-15P50	Capacitor, 15pfd, 50V, Mica
C119	1-.01M50	Capacitor, 0.01mfd, 50V, Ceramic
C120	1-.001M50	Capacitor, 0.001mfd, 50V, Ceramic
C121	1-.01M50	Capacitor, 0.01mfd, 50V, Ceramic
C122	1-.01M50	Capacitor, 0.01mfd, 50V, Ceramic
C201	Not Used	
C202	1-.001M50	Capacitor, 0.001mfd, 50V, Ceramic
C203	1-.01M50	Capacitor, 0.01mfd, 50V, Ceramic
C204	1-.01M50	Capacitor, 0.01mfd, 50V, Ceramic
C205	Not Used	
C206	2-24P50	Capacitor, 24pfd, 50V, Mica
C207	1-.01M50	Capacitor, 0.01mfd, 50V, Ceramic
C208	Not Used	
C209	1-.01M50	Capacitor, 0.01mfd, 50V, Ceramic
C210	3-.047M50	Capacitor, 0.047mfd, 50V, Mylar
C211	1-.01M50	Capacitor, 0.01mfd, 50V, Ceramic
C212	1-.01M50	Capacitor, 0.01mfd, 50V, Ceramic
C213	3-.047M50	Capacitor, 0.047mfd, 50V, Mylar
C214	1-.01M50	Capacitor, 0.01mfd, 50V, Ceramic
C215	1-.01M50	Capacitor, 0.01mfd, 50V, Ceramic
C216	1-.01M50	Capacitor, 0.01mfd, 50V, Ceramic
C217	1-.01M50	Capacitor, 0.01mfd, 50V, Ceramic
C218	2-100P50	Capacitor, 100pfd, 50V, Mica
C219	4-1M50	Capacitor, 1mfd, 50V, Electrolytic
C220	2-220P50	Capacitor, 220pfd, 50V, Mica
C221	1-.01M50	Capacitor, 0.01mfd, 50V, Ceramic
C222	4-1M50	Capacitor, 1mfd, 50V, Electrolytic
C223	3-.047M50	Capacitor, 0.047mfd, 50V, Mylar
C224	4-4.7M25	Capacitor, 4.7mfd, 25V, Electrolytic
C225	5-.22M16	Capacitor, 0.22mfd, 16V, Aluminum
C226	4-1M50	Capacitor, 1mfd, 50V, Electrolytic
C227	1-.01M50	Capacitor, 0.01mfd, 50V, Ceramic
C228	1-.01M50	Capacitor, 0.01mfd, 50V, Ceramic
C229	1-.001M50	Capacitor, 0.001mfd, 50V, Ceramic
C230	1-.01M50	Capacitor, 0.01mfd, 50V, Ceramic
C231	1-.001M50	Capacitor, 0.001mfd, 50V, Ceramic
C232	1-.01M50	Capacitor, 0.01mfd, 50V, Ceramic
C233	2-5P50	Capacitor, 5pfd, 50V, Mica
C234	1-.01M50	Capacitor, 0.01mfd, 50V, Ceramic
C235	4-1M50	Capacitor, 1mfd, 50V, Electrolytic
C236	5-.22M35	Capacitor, 0.22mfd, 35V, Tantalum
C237	2-5P50	Capacitor, 5pfd, 50V, Mica
C238	1-.001M50	Capacitor, 0.001mfd, 50V, Ceramic
C239	4-.47M16	Capacitor, 0.47mfd, 16V, Aluminum
C240	1-.01M50	Capacitor, 0.01mfd, 50V, Ceramic

SYMBOL #	PART #	DESCRIPTION
C241	3-1M50	Capacitor, 0.1mfd, 50V, Mylar
C242	4-1M50	Capacitor, 1mfd, 50V, Electrolytic
C301	2-33P50	Capacitor, 33pfd, 50V, Mica
C302	1-.01M50	Capacitor, 0.01mfd, 50V, Ceramic
C303	2-33P50	Capacitor, 33pfd, 50V, Mica
C304	1-.01M50	Capacitor, 0.01mfd, 50V, Ceramic
C305	1-.01M50	Capacitor, 0.01mfd, 50V, Ceramic
C306	1-.01M50	Capacitor, 0.01mfd, 50V, Ceramic
C307	2-33P50	Capacitor, 33pfd, 50V, Mica
C308	1-.01M50	Capacitor, 0.01mfd, 50V, Ceramic
C309	1-.01M50	Capacitor, 0.01mfd, 50V, Ceramic
C310	1-.001M50	Capacitor, 0.001mfd, 50V, Ceramic
C311	Not Used	
C312	1-.001M50	Capacitor, 0.001mfd, 50V, Ceramic
C313	1-.001M50	Capacitor, 0.001mfd, 50V, Ceramic
C314	1-.001M50	Capacitor, 0.001mfd, 50V, Ceramic
C315	4-4.7M25	Capacitor, 4.7mfd, 25V, Electrolytic
C316	Not Used	
C317	2-15P50	Capacitor, 15pfd, 50V, Mica
C318	2-56P50	Capacitor, 56pfd, 50V, Mica
C319	1-.01M50	Capacitor, 0.01mfd, 50V, Ceramic
C401	2-30P50	Capacitor, 30pfd, 50V, Mica
C402	2-30P50	Capacitor, 30pfd, 50V, Mica
C403	1-.01M50	Capacitor, 0.01mfd, 50V, Ceramic
C404	2-1P50	Capacitor, 1pfd, 50V, Mica
C405	2-1P50	Capacitor, 1pfd, 50V, Mica
C406	2-35P50	Capacitor, 35pfd, 50V, Mica
C407	2-330P50	Capacitor, 330pfd, 50V, Mica
C408	1-.01M50	Capacitor, 0.01mfd, 50V, Ceramic
C409	1-.01M50	Capacitor, 0.01mfd, 50V, Ceramic
C410	1-.01M50	Capacitor, 0.01mfd, 50V, Ceramic
C411	2-130P50	Capacitor, 130pfd, 50V, Mica
C412	1-.01M50	Capacitor, 0.01mfd, 50V, Ceramic
C413	2-33P50	Capacitor, 33pfd, 50V, Mica
C414	2-270P50	Capacitor, 270pfd, 50V, Mica
C415	1-.01M50	Capacitor, 0.01mfd, 50V, Ceramic
C416	1-.01M50	Capacitor, 0.01mfd, 50V, Ceramic
C417	1-.01M50	Capacitor, 0.01mfd, 50V, Ceramic
C418	2-35P50	Capacitor, 35pfd, 50V, Mica
C419	1-.01M50	Capacitor, 0.01mfd, 50V, Ceramic
C420	2-150P50	Capacitor, 150pfd, 50V, Mica
C421	4-22M16	Capacitor, 22mfd, 16V, Electrolytic
C422	1-.01M50	Capacitor, 0.01mfd, 50V, Ceramic
C423	3-.047M50	Capacitor, 0.047mfd, 50V, Mylar
C424	2-56P50	Capacitor, 56pfd, 50V, Mica
C425	2-170P50	Capacitor, 170pfd, 50V, Mica
C426	1-.047M50	Capacitor, 0.047mfd, 50V, Ceramic
C427	1-.047M50	Capacitor, 0.047mfd, 50V, Ceramic
C428	2-270P50	Capacitor, 270pfd, 50V, Mica
C429	2-510P50	Capacitor, 510pfd, 50V, Mica
C430	1-.047M50	Capacitor, 0.047mfd, 50V, Ceramic
C431	2-200P50	Capacitor, 200pfd, 50V, Mica

SYMBOL #	PART #	DESCRIPTION
C432	2-15P50	Capacitor, 15pfd, 50V, Mica
C433	1-33P50	Capacitor, 33pfd, 50V, Ceramic
C434	1-.01M50	Capacitor, 0.01mfd, 50V, Ceramic
C435	Not Used	
C436	2-100P50	Capacitor, 100pfd, 50V, Mica
C437	Not Used	
C438	1-.01M50	Capacitor, 0.01mfd, 50V, Ceramic
C439	1-.01M50	Capacitor, 0.01mfd, 50V, Ceramic
C440	1-.01M50	Capacitor, 0.01mfd, 50V, Ceramic
C441	2-2P50	Capacitor, 2pfd, 50V, Mica
C442	1-.01M50	Capacitor, 0.01mfd, 50V, Ceramic
C443	1-.01M50	Capacitor, 0.01mfd, 50V, Ceramic
C444	3-.047M50	Capacitor, 0.047mfd, 50V, Mylar
C445	1-.01M50	Capacitor, 0.01mfd, 50V, Ceramic
C446	2-150P50	Capacitor, 150pfd, 50V, Mica
C447	1-.01M50	Capacitor, 0.01mfd, 50V, Ceramic
C448	2-65P50	Capacitor, 65pfd, 50V, Mica
C449	2-65P50	Capacitor, 65pfd, 50V, Mica
C450	Not Used	
C451	1-.01M50	Capacitor, 0.01mfd, 50V, Ceramic
C452	1-.01M50	Capacitor, 0.01mfd, 50V, Ceramic
C453	1-.01M50	Capacitor, 0.01mfd, 50V, Ceramic
C454	1-.01M50	Capacitor, 0.01mfd, 50V, Ceramic
C455	1-.047M50	Capacitor, 0.047mfd, 50V, Ceramic
C456	1-.047M50	Capacitor, 0.047mfd, 50V, Ceramic
C457	2-65P50	Capacitor, 65pfd, 50V, Mica
C501	4-1M50	Capacitor, 1mfd, 50V, Electrolytic
C502	1-.01M50	Capacitor, 0.01mfd, 50V, Ceramic
C503	4-22M16	Capacitor, 22mfd, 16V, Electrolytic
C504	4-10M16	Capacitor, 10mfd, 16V, Electrolytic
C505	1-.01M50	Capacitor, 0.01mfd, 50V, Ceramic
C506	3-.047M50	Capacitor, 0.047mfd, 50V, Mylar
C507	3-.047M50	Capacitor, 0.047mfd, 50V, Mylar
C508	1-.01M50	Capacitor, 0.01mfd, 50V, Ceramic
C509	5-10M16	Capacitor, 10mfd, 16V, Tantalum
C510	1-.01M50	Capacitor, 0.01mfd, 50V, Ceramic
C511	1-.01M50	Capacitor, 0.01mfd, 50V, Ceramic
C512	4-47M16	Capacitor, 47mfd, 16V, Electrolytic
C513	1-.01M50	Capacitor, 0.01mfd, 50V, Ceramic
C514	3-.1M50	Capacitor, 0.1mfd, 50V, Mylar
C515	4-220M16	Capacitor, 220mfd, 16V, Electrolytic
C516	Not Used	
C517	1-.01M50	Capacitor, 0.01mfd, 50V, Ceramic
C518	1-.01M50	Capacitor, 0.01mfd, 50V, Ceramic
C519	1-.01M50	Capacitor, 0.01mfd, 50V, Ceramic
C520	Not Used	
C521	Not Used	
C522	3-.02M50	Capacitor, 0.02mfd, 50V, Mylar
C523	3-.02M50	Capacitor, 0.02mfd, 50V, Mylar
C601	1-.01M50	Capacitor, 0.01mfd, 50V, Ceramic
C602	1-.01M50	Capacitor, 0.01mfd, 50V, Ceramic
C603	1-.01M50	Capacitor, 0.01mfd, 50V, Ceramic
C604	1-.01M50	Capacitor, 0.01mfd, 50V, Ceramic
C605	4-4.7M25	Capacitor, 4.7mfd, 25V, Electrolytic
C606	1-.01M50	Capacitor, 0.01mfd, 50V, Ceramic
C607	3-.005M50	Capacitor, 0.005mfd, 50V, Mylar

SYMBOL #	PART #	DESCRIPTION
C608	5-.22M35	Capacitor, 0.22mfd, 35V, Tantalum
C609	5-22M16	Capacitor, 22mfd, 16V, Tantalum
C610	4-1M50	Capacitor, 1mfd, 50V, Electrolytic
C611	1-.01M50	Capacitor, 0.01mfd, 50V, Ceramic
C612	4-1M50	Capacitor, 1mfd, 50V, Electrolytic
C613	5-.22M35	Capacitor, 0.22mfd, 35V, Tantalum
C614	4-47M16	Capacitor, 47mfd, 16V, Electrolytic
C615	3-.047M50	Capacitor, 0.047mfd, 50V, Mylar
C616	3-.005M50	Capacitor, 0.005mfd, 50V, Mylar
C617	3-.1M50	Capacitor, 0.1mfd, 50V, Mylar
C618	3-.04M50	Capacitor, 0.04mfd, 50V, Mylar
C619	4-1M50	Capacitor, 1mfd, 50V, Electrolytic
C620	1-.01M50	Capacitor, 0.01mfd, 50V, Ceramic
C621	4-1M50	Capacitor, 1mfd, 50V, Electrolytic
C622	1-.01M50	Capacitor, 0.01mfd, 50V, Ceramic
C623	1-.01M50	Capacitor, 0.01mfd, 50V, Ceramic
C624	Not Used	
C625	1-.01M50	Capacitor, 0.01mfd, 50V, Ceramic
C626	1-.001M50	Capacitor, 0.001mfd, 50V, Ceramic
C627	3-.047M50	Capacitor, 0.047mfd, 50V, Mylar
C628	2-75P50	Capacitor, 75pfd, 50V, Mica
C629	2-20P50	Capacitor, 20pfd, 50V, Mica
C630	2-100P50	Capacitor, 100pfd, 50V, Mica
C631	2-150P50	Capacitor, 150pfd, 50V, Mica
C632	1-.047M50	Capacitor, 0.047mfd, 50V, Ceramic
C633	2-510P50	Capacitor, 510pfd, 50V, Mica
C634	1-.01M50	Capacitor, 0.01mfd, 50V, Ceramic
C635	2-5P50	Capacitor, 5pfd, 50V, Mica
C636	1-.01M50	Capacitor, 0.01mfd, 50V, Ceramic
C637	1-.01M50	Capacitor, 0.01mfd, 50V, Ceramic
C638	3-.047M50	Capacitor, 0.047mfd, 50V, Ceramic
C639	1-.01M50	Capacitor, 0.01mfd, 50V, Mylar
C640	1-.001M50	Capacitor, 0.001mfd, 50V, Ceramic
C701	1-.01M50	Capacitor, 0.01mfd, 50V, Ceramic
C702	1-.001M50	Capacitor, 0.001mfd, 50V, Ceramic
C703	1-.01M50	Capacitor, 0.01mfd, 50V, Ceramic
C704	Not Used	
C705	Not Used	
C706	Not Used	
C707	Not Used	
C708	4-22M16	Capacitor, 22mfd, 16V, Electrolytic
C709	4-1M50	Capacitor, 1mfd, 50V, Electrolytic
C710	1-.01M50	Capacitor, 0.01mfd, 50V, Ceramic
C711	Not Used	
C712	Not Used	
C713	4-220M16	Capacitor, 220mfd, 16V, Electrolytic
C714	4-220M16	Capacitor, 220mfd, 16V, Electrolytic
C715	4-2200M16	Capacitor, 2200mfd, 16V, Electrolytic
C716	1-.01M50	Capacitor, 0.01mfd, 50V, Ceramic
C801	1-.001M50	Capacitor, 0.001mfd, 50V, Ceramic

SYMBOL #	PART #	DESCRIPTION
C802	4-22M25	Capacitor, 0.22mfd, 25V, Aluminum
C803	1-01M50	Capacitor, 0.01mfd, 50V, Ceramic
C804	5-1M25	Capacitor, 1mfd, 25V, Tantalum
C805	4-22M16	Capacitor, 22mfd, 16V, Electrolytic
C806	3-1M50	Capacitor, 0.1mfd, 50V, Mylar
C901	1-01M50	Capacitor, 0.01mfd, 50V, Ceramic
C902	4-220M35	Capacitor, 220mfd, 35V, Electrolytic
CR1	22-1-68	Diode, MV201
CR2	22-1-59	Diode, 1S2688
CR3	22-1-93	Diode, 1N4448
CR101	22-1-102	Diode, M1301
CR102	22-1-102	Diode, M1301
CR103	22-1-5	Diode, 1N60
CR104	22-1-54	Diode, 1S1007
CR105	22-1-5	Diode, 1N60
CR201	22-1-5	Diode, 1N60
CR202	22-1-5	Diode, 1N60
CR203	22-1-5	Diode, 1N60
CR204	22-1-5	Diode, 1N60
CR205	22-1-6	Diode, 1N34A
CR206	22-1-93	Diode, 1N4448
CR207	22-1-5	Diode, 1N60
CR208	22-1-93	Diode, 1N4448
CR209	22-1-93	Diode, 1N4448
CR210	22-1-93	Diode, 1N4448
CR211	22-1-5	Diode, 1N60
CR212	22-1-50	Diode, 1S2472
CR213	22-1-93	Diode, 1N4448
CR301	22-1-93	Diode, 1N4448
CR302	22-1-5	Diode, 1N60
CR303	22-1-5	Diode, 1N60
CR304	22-1-6	Diode, 1N34A
CR401	22-1-15	Diode, 1S990S
CR402	22-1-15	Diode, 1S990S
CR403	22-1-15	Diode, 1S990S
CR404	Not Used	
CR405	Not Used	
CR406	22-1-5	Diode, 1N60
CR407	22-1-93	Diode, 1N4448
CR408	22-1-50	Diode, 1S2472
CR409	22-1-93	Diode, 1N4448
CR410	22-1-93	Diode, 1N4448
CR501	22-1-93	Diode, 1N4448
CR502	22-1-93	Diode, 1N4448

SYMBOL #	PART #	DESCRIPTION
CR601	22-1-93	Diode, 1N4448
CR602	22-1-93	Diode, 1N4448
CR603	22-1-112	Diode, WZ061 or BZ061
CR604	22-1-93	Diode, 1N4448
CR605	22-1-93	Diode, 1N4448
CR606	22-1-93	Diode, 1N4448
CR607	22-1-93	Diode, 1N4448
CR701	22-1-93	Diode, 1N4448
CR702	22-1-93	Diode, 1N4448
CR703	22-1-93	Diode, 1N4448
CR704	22-1-57	Diode, U05B
CR705	Not Used	
CR706	Not Used	
CR707	22-1-111	Diode, BZ100
CR801	22-1-93	Diode, 1N4448
CR802	22-1-93	Diode, 1N4448
CR803	22-1-93	Diode, 1N4448
CR804	22-1-77	Diode, 1N4002
CR805	22-1-51	Diode, BZ090
CV601	9-10P	Capacitor, Trimmer, 10pfd
DS1	22-2-10	Channel LED, HP5082
DS2	22-2-10	Channel LED, HP5082
F1	99-4	Fuse 4A for DC
FIL-1	55-2-22	Crystal Filter, 7.8MHz
IC1	11-60	Integrated Circuit, 78L62WV
IC2	11-84	Integrated Circuit, TA7310P
IC3	11-118	Integrated Circuit, NDC40013
IC301	11-119	Integrated Circuit, SN76600P
IC501	11-83	Integrated Circuit, HA1366W
IC502	11-120	Integrated Circuit, MC14016 B
IC601	11-52	Integrated Circuit, SL1626

SYMBOL #	PART #	DESCRIPTION
IC602	11-55	Integrated Circuit, SL1640
IC801	11-121	Integrated Circuit, MC14001
IC802	11-122	Integrated Circuit, MM5799NBR
IC803	11-81	Integrated Circuit, MM74C93
IC901	11-80	Integrated Circuit, MC14511
IC902	11-80	Integrated Circuit, MC14511
INT SP	8-11-057	Speaker, B-26
J1	8-4-069	Antenna Connector, S0239
J2	8-4-070	Mike Jack, 4P
J3	8-6-088	PA Jack
J4	8-6-088	EXT Jack
K.B. 1	8-57-021	Keyboard (channel)
KL1	8-57-013	Keyboard Lamp
KL2	8-57-013	Keyboard Lamp
KL3	8-57-013	Keyboard Lamp
KL4	8-57-013	Keyboard Lamp
L1	44-613	Coil, Z368N
L2	33-3.3B	Choke, 3.3uH
L3	33-2.2B	Choke, 2.2uH
L4	44-614	Coil, Y388N
L5	44-482	Coil, Y369N
L201	33-22A	Choke, 22uH
L202	33-22A	Choke, 22uH
L203	33-22A	Choke, 22uH
L401	33-.65A	Choke, 0.65uH
L402	44-436	Coil, C813
L403	33-.65A	Choke, 0.65uH
L404	44-477	Coil, C996N
L405	33-1.2B	Choke, 1.2uH
L406	33-.22A	Choke, 0.22uH
L407	44-054	Coil, C043N
L408	44-435	Coil, C997N
L409	33-.22A	Choke, 0.22uH
L410	44-615	Coil, Z839NZ
L501	44-432	Coil, K69
L601	44-432	Coil, K69
L602	44-432	Coil, K69
L603	33-22B	Choke, 22uH
L604	44-437	Coil, Y372N
L605	33-22B	Choke, 22uH
L701	44-209	Choke, K10

SYMBOL #	PART #	DESCRIPTION
MDL1	8-4-142	Lamp, 16V 40mA
MDL2	8-4-142	Lamp, 16V 40mA
MDL3	8-4-142	Lamp, 16V 40mA
Q1	2SC710G	Transistor, 2SC710C
Q2	2SC710C	Transistor, 2SC710C
Q3	2SC711F	Transistor, 2SC711F
Q4	2SC710C	Transistor, 2SC710C
Q5	2SA844C	Transistor, 2SA844C
Q101	3SK41L	Transistor, 3SK41L
Q102	2SK55E	Transistor, 2SK55E
Q103	2SC710C	Transistor, 2SC710C
Q201	2SC710C	Transistor, 2SC710C
Q202	2SC710C	Transistor, 2SC710C
Q203	2SC710C	Transistor, 2SC710C
Q204	2SC710C	Transistor, 2SC710C
Q205	2SC710C	Transistor, 2SC710C
Q206	2SC710C	Transistor, 2SC710C
Q207	2SC710C	Transistor, 2SC710C
Q208	2SC710C	Transistor, 2SC710C
Q209	2SK34E	Transistor, 2SK34E
Q210	2SC710C	Transistor, 2SC710C
Q211	2SC710C	Transistor, 2SC710C
Q212	2SC710C	Transistor, 2SC710C
Q213	Not Used	
Q214	Not Used	
Q215	2SC710C	Transistor, 2SC710C
Q301	2SC710C	Transistor, 2SC710C
Q302	2SC710C	Transistor, 2SC710C
Q303	2SC710C	Transistor, 2SC710C
Q304	2SC710C	Transistor, 2SC710C
Q305	2SK41F	Transistor, 2SK41F
Q401	3SK41L	Transistor, 3SK41L
Q402	2SC710C	Transistor, 2SC710C
Q403	2SC1957	Transistor, 2SC1957
Q404	2SC1306	Transistor, 2SC1306
Q405	2SC1969H	Transistor, 2SC1969H
Q501	2SC710C	Transistor, 2SC710C
Q502	2SC1061D	Transistor, 2SC1061D
Q601	2SC710C	Transistor, 2SC710C
Q602	2SC710C	Transistor, 2SC710C
Q603	2SC710C	Transistor, 2SC710C
Q604	2SC710C	Transistor, 2SC710C
Q605	2SC710C	Transistor, 2SC710C
Q606	2SC710C	Transistor, 2SC710C
Q607	2SC710C	Transistor, 2SC710C

SYMBOL #	PART #	DESCRIPTION
Q701	2SC710D	Transistor, 2SC710D
Q702	2SC710D	Transistor, 2SC710D
Q703	2SC710D	Transistor, 2SC710D
Q704	2SC710D	Transistor, 2SC710D
Q705	2SC710D	Transistor, 2SC710D
Q706	2SC710D	Transistor, 2SC710D
Q707	2SC710D	Transistor, 2SC710D
Q708	2SC710D	Transistor, 2SC710D
Q709	Not Used	
Q710	Not Used	
Q711	Not Used	
Q712	Not Used	
Q713	Not Used	
Q714	Not Used	
Q715	2SC1014	Transistor, 2SC1014
Q801	2SC710C	Transistor, 2SC710C
Q802	2SK355C	Transistor, 2SK355C
Q803	2SC710C	Transistor, 2SC710C
RL-1	Not Used	
RL-2	8-4-141	Relay, MY-4-02
S1	88-1-47	Rotary Switch
S2	88-2-27	Slide Switch, Bright/Dim
S3	88-2-27	Slide Switch, PA/CB
S4	88-2-27	Slide Switch, NB/OFF
T101	44-433	Transformer, C366Z
T102	44-438	Transformer, C1931
T103	44-438	Transformer, C1931
T104	44-215	Transformer, S183AT
T105	44-215	Transformer, S183AT
T201	44-215	Transformer, S183AT
T202	44-215	Transformer, S183AT
T203	44-216	Transformer, S190AT
T204	44-217	Transformer, Z185Z
T301	44-370	Transformer, C544N
T302	44-490	Transformer, Z561D
T303	44-490	Transformer, Z561D
T304	44-371	Transformer, S518A
T305	44-434	Transformer, Z542R

SYMBOL #	PART #	DESCRIPTION
T401	44-223	Transformer, C181Z
T402	44-370	Transformer, C544NT
T403	44-222	Transformer, C182Z
T404	44-70	Transformer, C042Z
VR1	60-10K-3	Resistor, Variable, 10K ohm B
VR2	64-10K-1	Resistor, Variable, 10K ohm B, 3T
VR101	60-10K-3	Resistor, Variable, 10K ohm B
VR201	65-10K-5	Resistor, Variable, 10K ohm, 2T
VR202	65-5K-2	Resistor, Variable, 5K ohm, 2T
VR203	65-10K-5	Resistor, Variable, 10K ohm, 2T
VR204	60-10K-3	Resistor, Variable, 10K ohm B
VR401	65-50K-1	Resistor, Variable, 50K ohm, 2T
VR402	Not Used	
VR403	Not Used	
VR404	64-10K-1	Resistor, Variable, 10 ohm, 3T
VR501	61-10K-2	Resistor, Variable, 10K ohm D
VR502	60-10K-3	Tone Control, 10K ohm B
VR601	64-10K-1	Resistor, Variable, 10K ohm, 2T
VR602	64-10K-1	Resistor, Variable, 10K ohm, 3T
VR603	64-10K-1	Resistor, Variable, 10K ohm, 3T
VR604	64-10K-1	Resistor, Variable, 10K ohm, 3T
Y1	50-1-84	Crystal, 10.000 MHz
Y601	50-1-112	Crystal, 7.8015 MHz
	8-52-023	S/RF Meter
	8-67-062	PC Board, (PLL)
	8-68-001	PC Board, (Channel Driver)
	8-67-002	PC Board, (Channel LED)
	8-67-036	PC Joiner, N = 14
	8-67-035	PC Joiner, N = 9
	8-67-024	Shield PLL Case
	8-67-025	PLL Top Shield
	8-67-023	Shield VFO Case
	8-68-003	Heat Sink, TX
	8-68-004	Heat Sink, AF
	8-68-005	Mount, Battery
	8-57-029	Front Bezel
	8-57-030	Cabinet Top
	8-57-031	Cabinet Bottom
	8-55-016	Control Knob
	8-68-008	Overlay
	8-68-009	Channel Window
	8-52-033	Mounting Bracket
	8-52-031	Styrofoam Box
	8-68-010	Display Box

