

Fig. 1

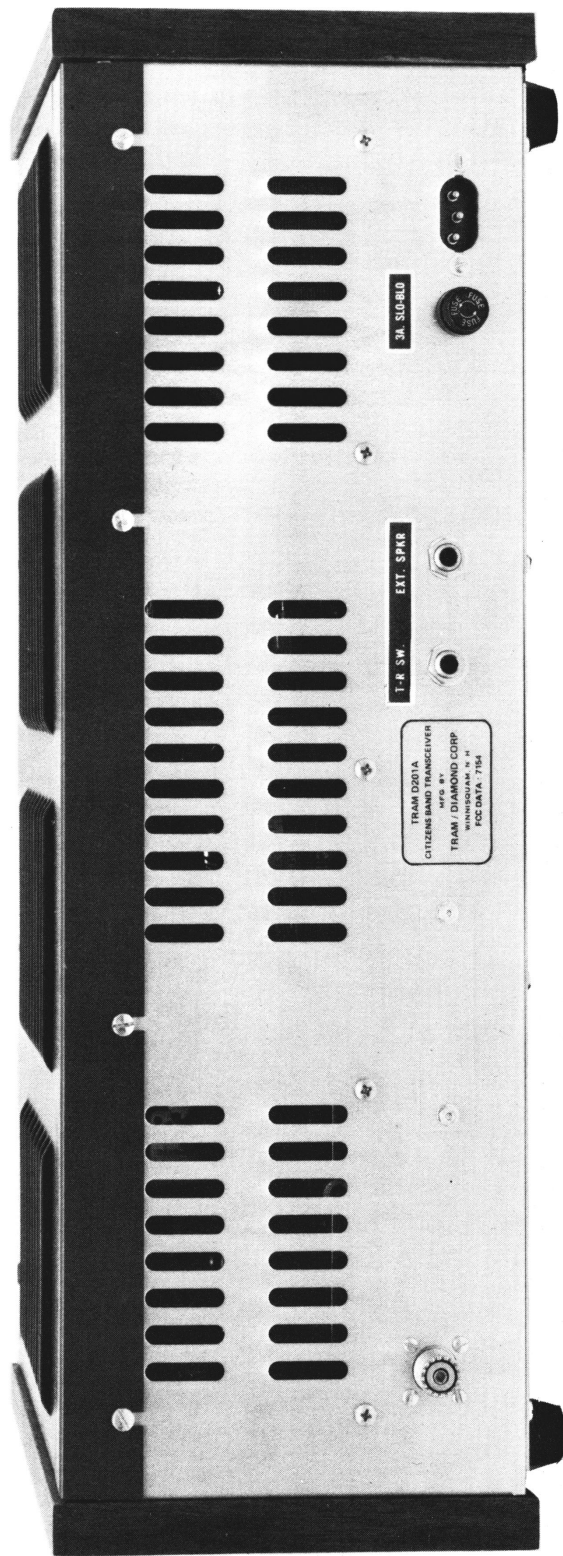
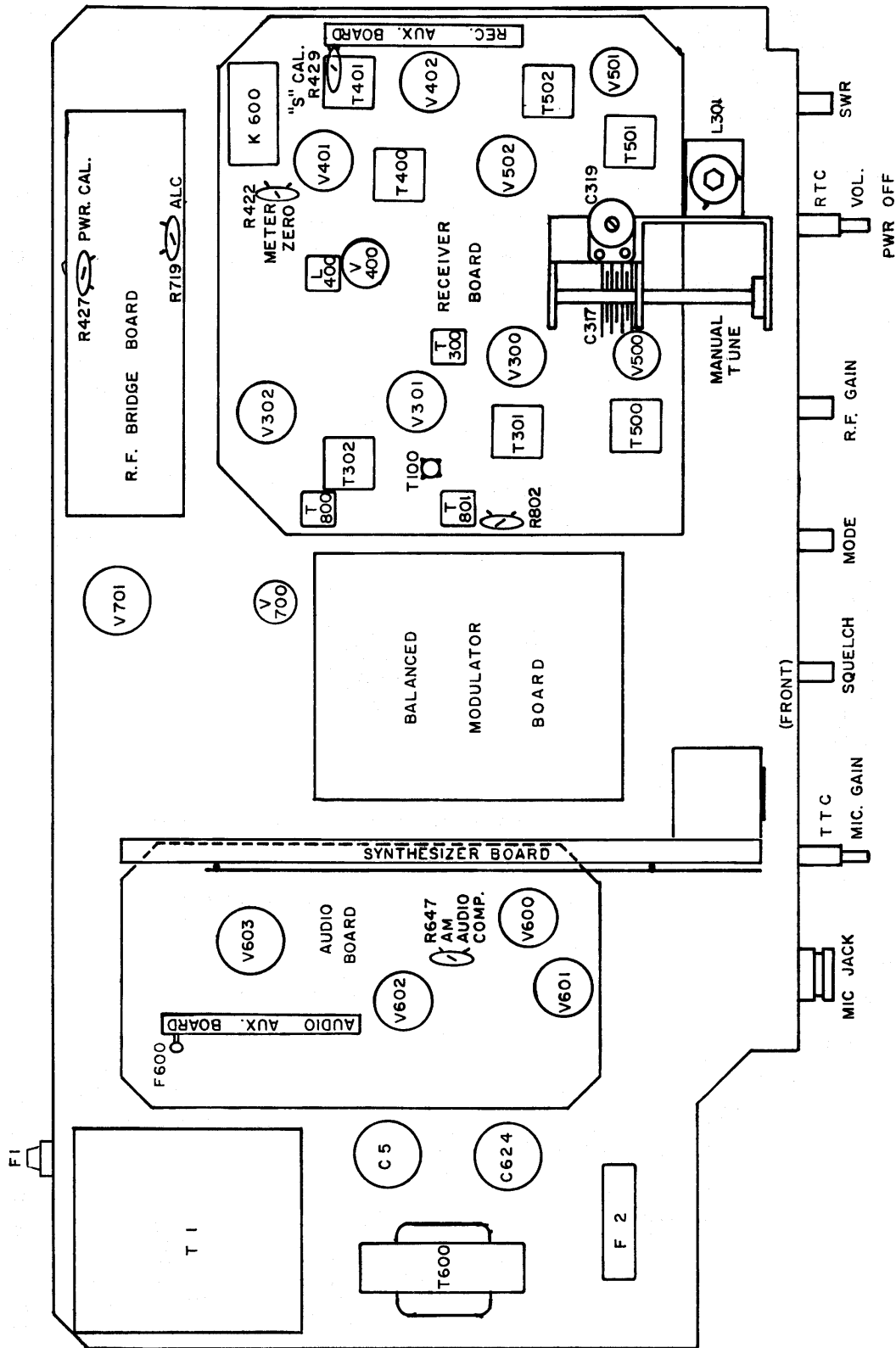
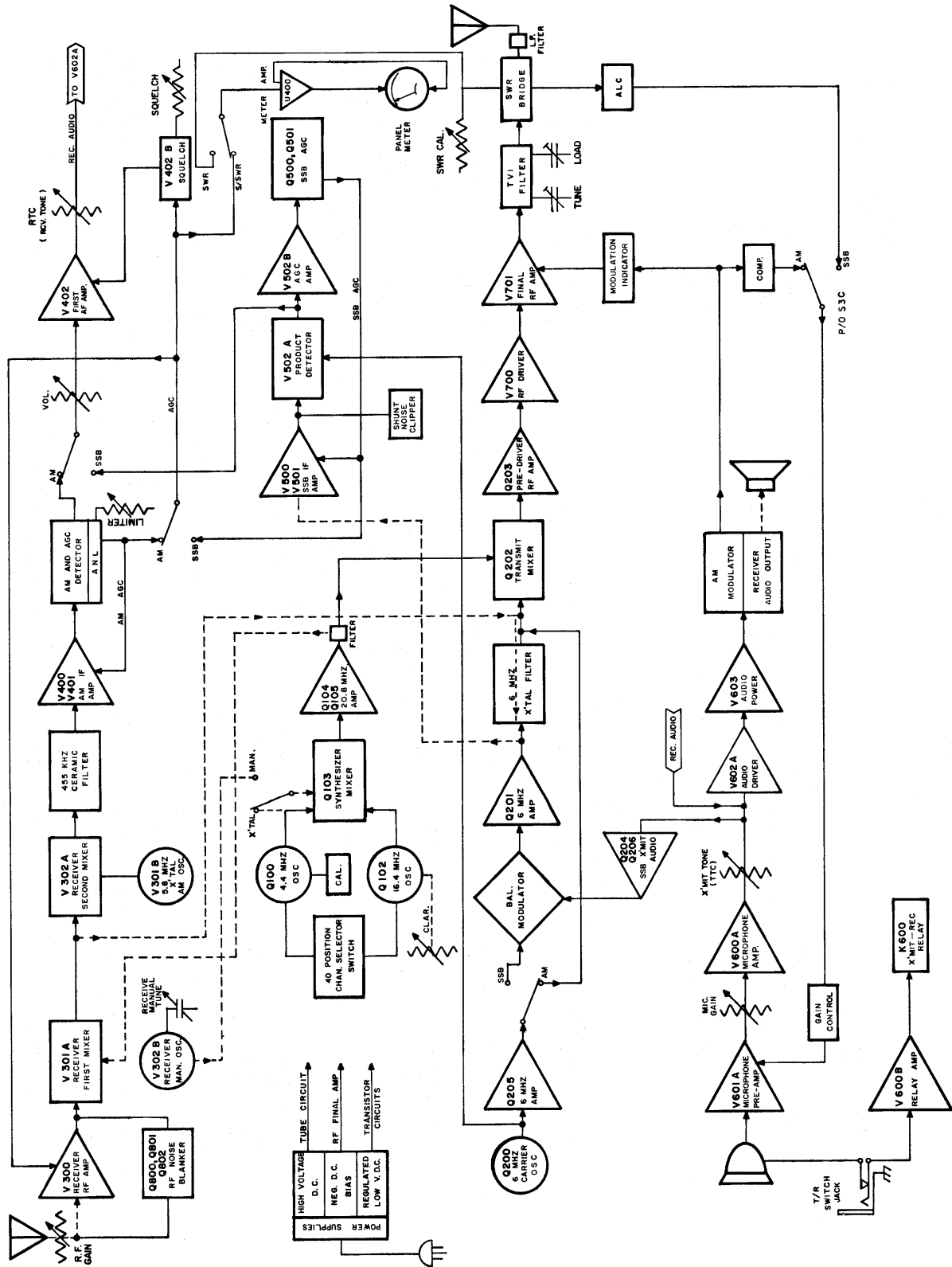


Fig. 2



D201A TOP CHASSIS VIEW  
Fig. 3



FOIL SIDE X-RAY VIEW  
RECEIVER BOARD PCB A  
Fig. 4