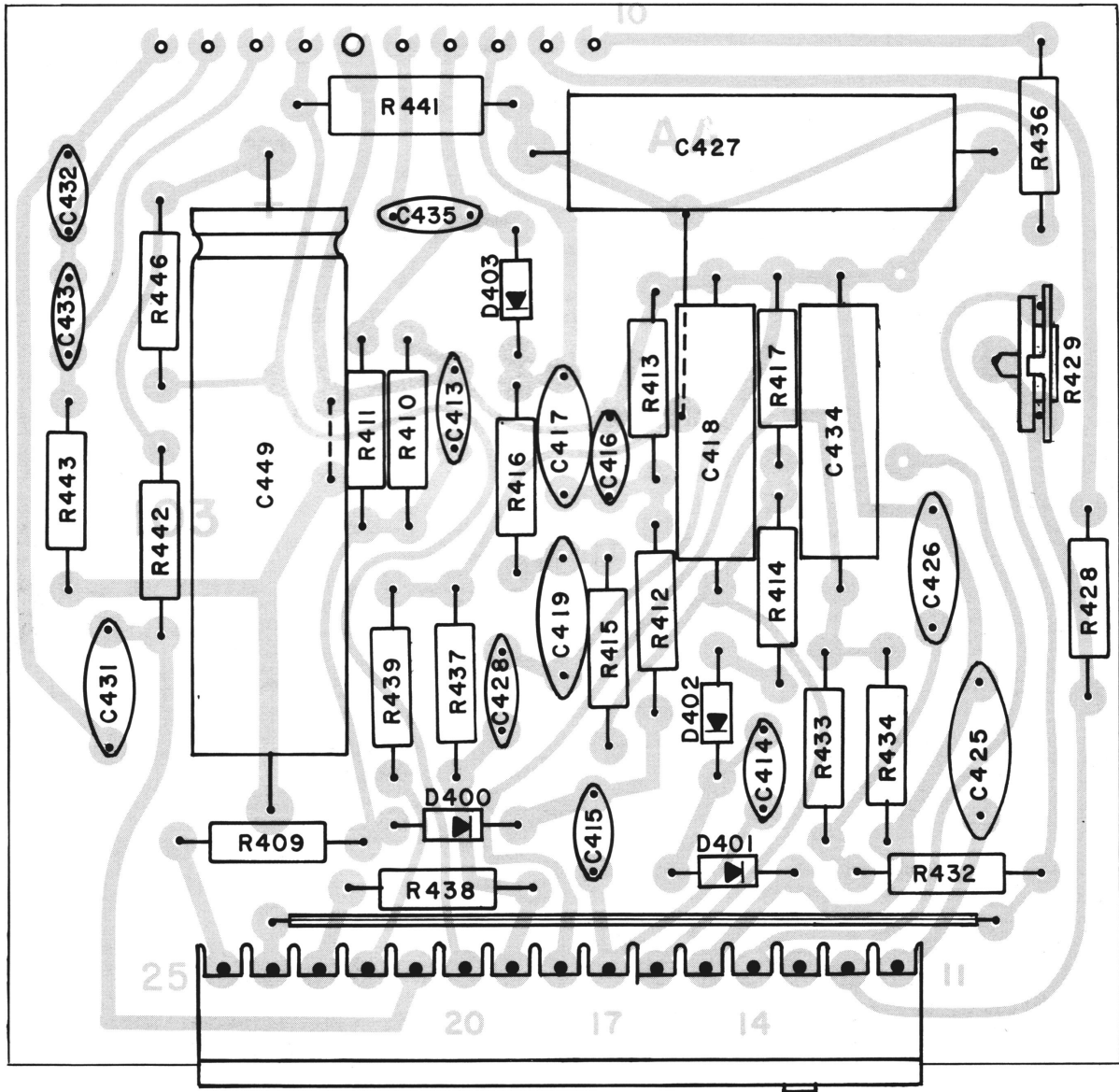
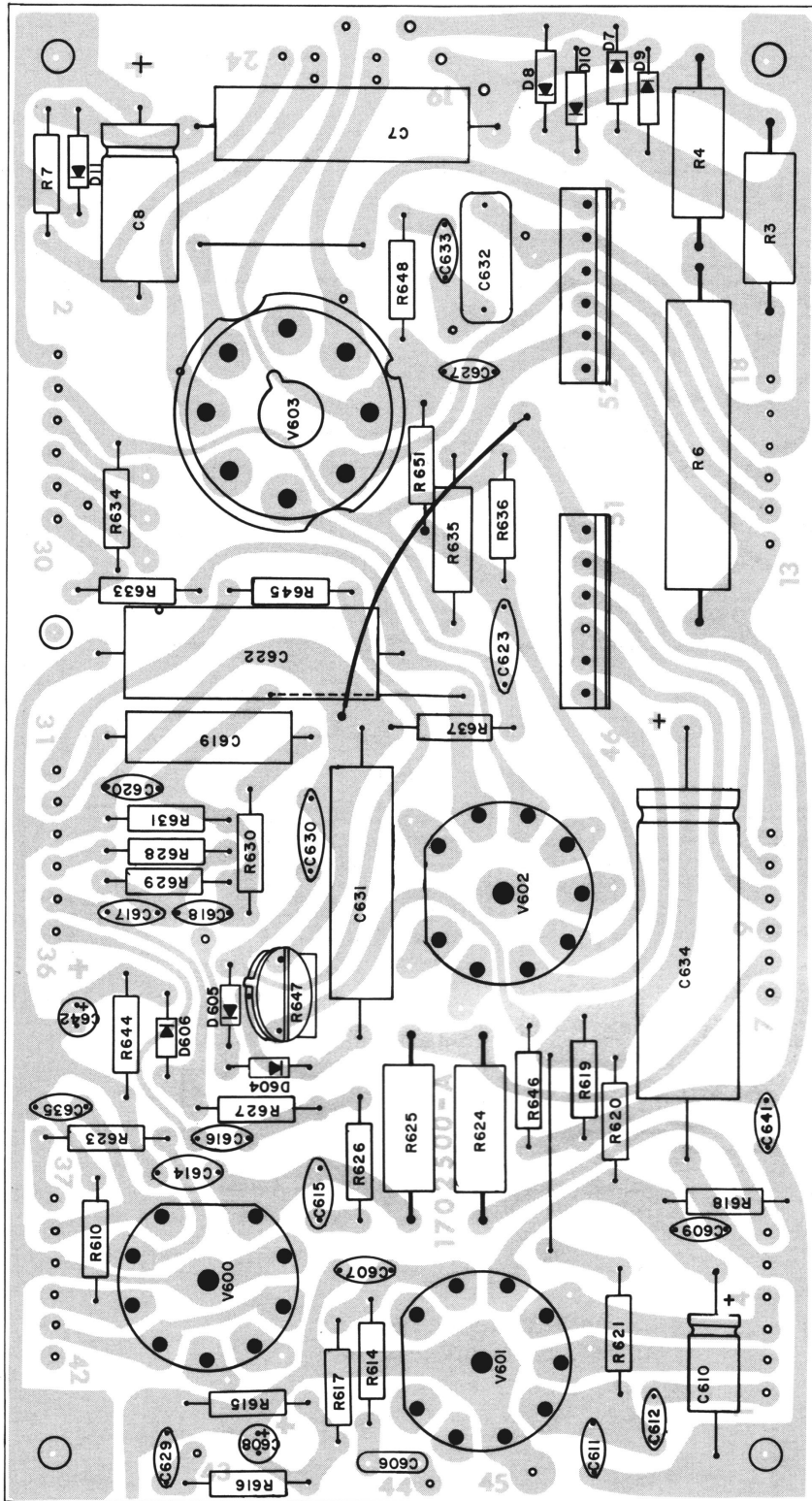


MODEL D201A
BLOCK DIAGRAM
Fig. 6



FOIL SIDE X-RAY VIEW
 AUX. RECEIVER BOARD PCB AA
 Fig. 7



FOIL SIDE X-RAY VIEW
AUDIO BOARD PCB B
Fig. 8