

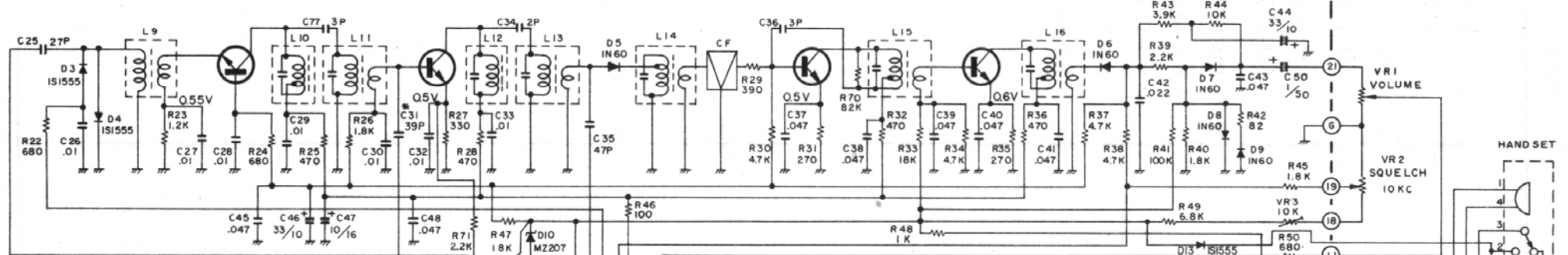
EPO-632

Q7 2SC460

Q8 2SC839

Q9 2SC839

Q10 2SC839



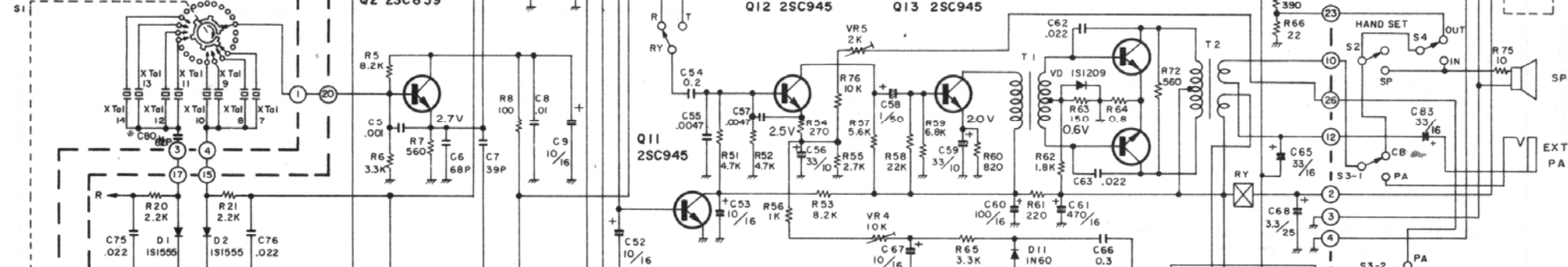
EPO-585

Q2 2SC839

Q12 2SC945

Q13 2SC945

Q14,15 2SC1096



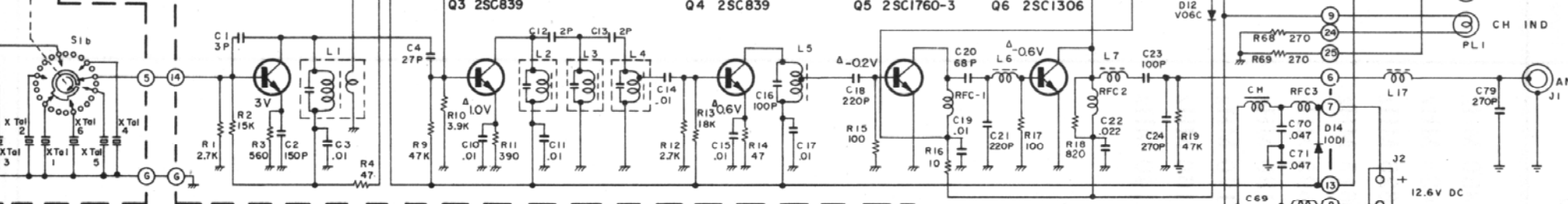
Q1 2SC839

Q3 2SC839

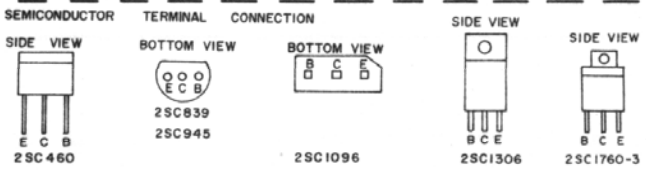
Q4 2SC839

Q5 2SC1760-3

Q6 2SC1306



X Tal 1	37.600 MHz	X Tal 7	10.635 MHz
2	37.660	8	10.625
3	37.700	9	10.615
4	37.750	10	10.595
5	37.800	11	10.180
6	37.850	12	10.170
		13	10.160
		14	10.140



NOTE: Δ VOLTS AT TRANSMIT CONDITION  
 ALL VOLTAGE MEASURED FROM COMMON NEGATIVE GND.  
 WITH DC VTVM AT NO SIGNAL. (AT 12.6V POWER SUPPLY)  
 ⊥ CHASSIS GND. ⚡ BATTERY NEGATIVE \* VARIABLE

# SCHEMATIC DIAGRAM