

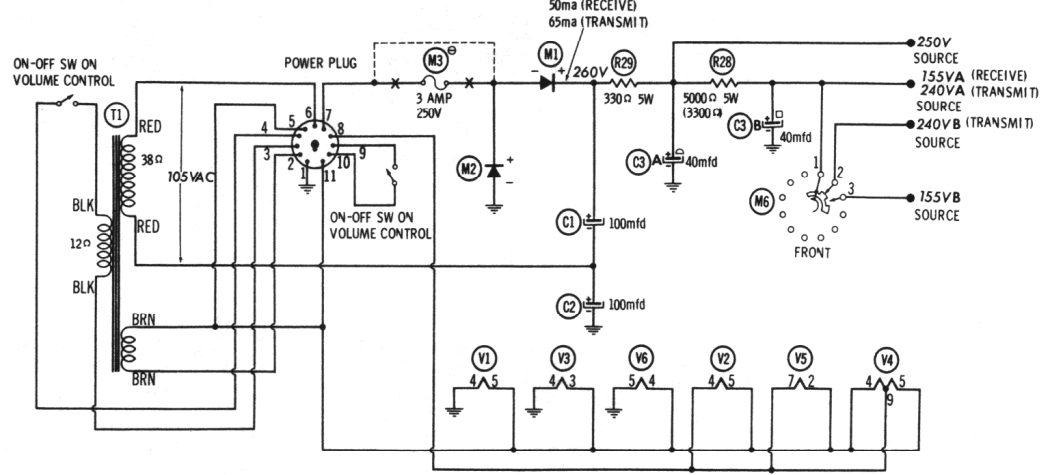
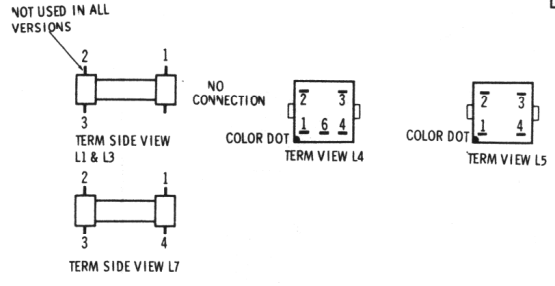
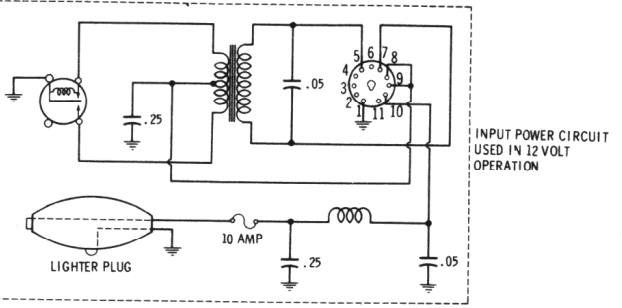
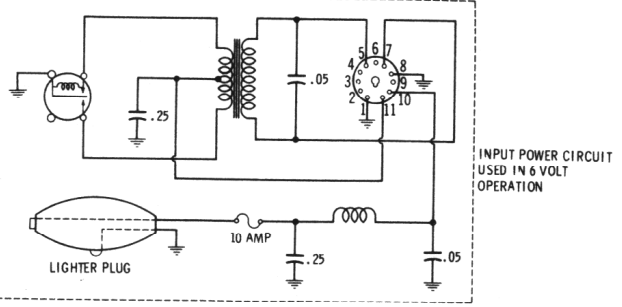
CRYSTAL SELECTOR SW
ANT-TRANSMIT-
RECEIVE SW (M6)
SHOWN IN "TRANSMIT"
POSITION.
SW SEQUENCE:
1. TRANSMIT
2. RECEIVE
3. TRANSMIT

NUMBERS ASSIGNED TO COILS, SWITCHES, PLUGS, SOCKETS, AND TRANSFORMERS ARE TO FACILITATE CIRCUIT TRACING OR COMPONENT REPLACEMENT AND MAY NOT NECESSARILY BE FOUND ON THE UNIT.

RESISTANCE READINGS

ITEM	TUBE	Pin 1	Pin 2	Pin 3	Pin 4	Pin 5	Pin 6	Pin 7	Pin 8	Pin 9
V1	6EA8	+15K	0Ω	+100K	0Ω	.1Ω	+10K	220Ω	0Ω	1meg
V2	6EA8	+15K	2.8meg	+15K	0Ω	.1Ω	+15K	100Ω	0Ω	22K
V3	6AL5	2.1meg	500K	.1Ω	0Ω	2.1meg	0Ω	500K		
V4	ECC83 12AX7	+475K	4.7meg	0Ω	.1Ω	.1Ω	+225K	470K	3300Ω	0Ω
V5	6V6GT	0Ω	.1Ω	+630Ω	+330Ω	470K	TP	0Ω	470Ω	
V6	6AU8	+0Ω	47K	+10K	.1Ω	0Ω	+0Ω	22K	+22K	+680Ω

ALL MEASUREMENTS MADE IN "RECEIVE" POSITION UNLESS OTHERWISE DESIGNATED.
▲ MEASURED IN "TRANSMIT" POSITION. NC NO CONNECTION
† MEASURED FROM OUTPUT OF M1. TP TIE POINT



- DC voltage measurements taken with vacuum tube voltmeter; AC voltages measured with 1000 ohm per volt voltmeter.
- Socket connections are shown as bottom views.
- Measured values are from socket pin to common ground.
- Line voltage maintained at 117 volts for voltage readings.
- Nominal tolerance on component values makes possible a variation of ±15% in voltage and resistance readings.
- Volume control at maximum, no signal applied for voltage measurements.

SEE PARTS LIST FOR ALTERNATE VALUE OR APPLICATION
DC COIL RESISTANCE VALUES UNDER ONE OHM NOT SHOWN ON SCHEMATIC DIAGRAM
ARROWS ON CONTROLS INDICATE CLOCKWISE ROTATION (CONTROL VIEWED FROM SHAFT END)

