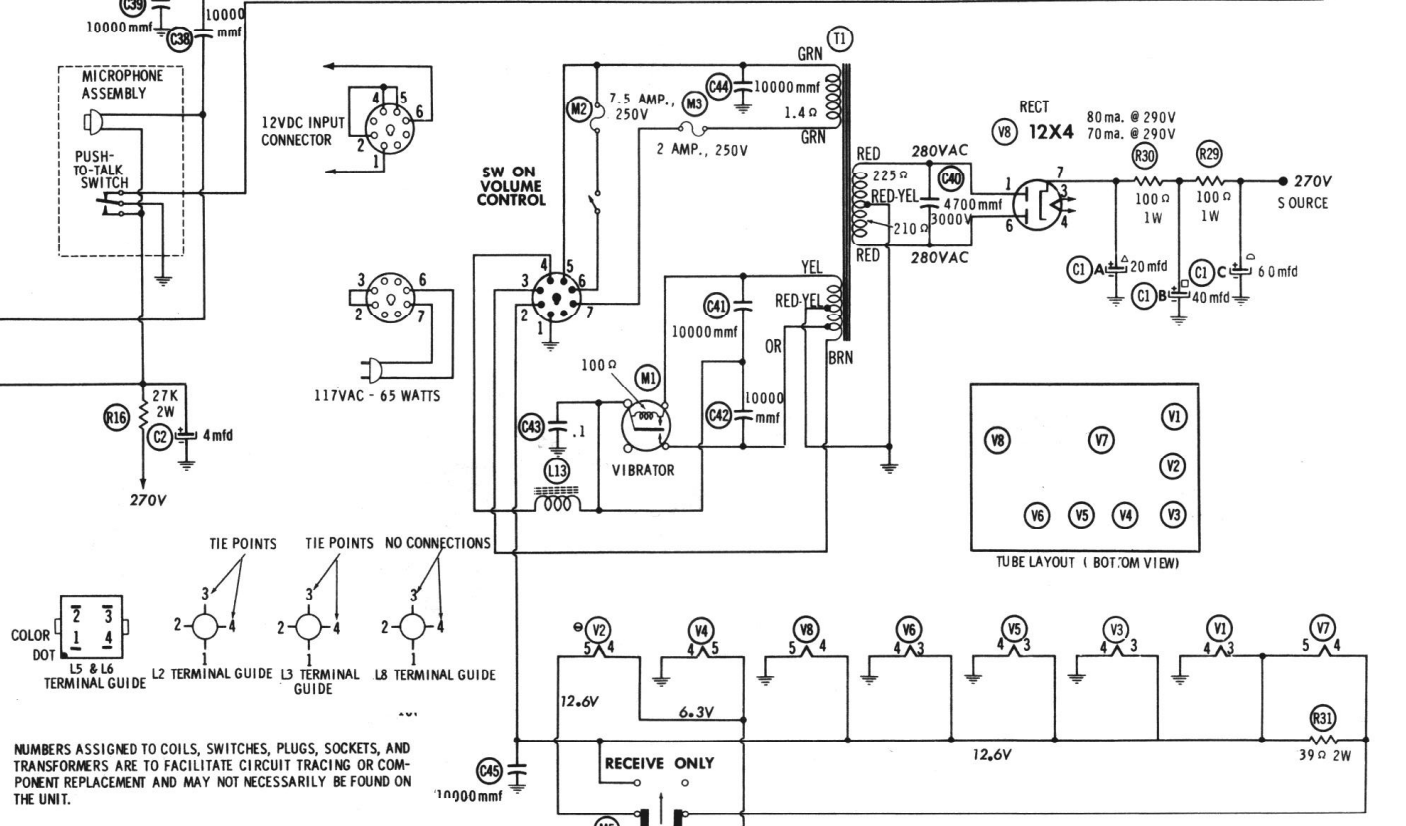


RESISTANCE READINGS

ITEM	TUBE	Pin 1	Pin 2	Pin 3	Pin 4	Pin 5	Pin 6	Pin 7	Pin 8	Pin 9
V1	12AU6	2.1 meg	0 Ω	0 Ω	.1 Ω	†200 Ω	†56K	0 Ω		
V2	6U8A	†27K	.1 Ω	†27K	.1 Ω	.1 Ω	†2400 Ω	1000 Ω	0 Ω	100K
V3	12BA6	1.5 meg	0 Ω	0 Ω	.1 Ω	†200 Ω	†56K	0 Ω		
V4	6BJ7	0 Ω	550K	0 Ω	.1 Ω	0 Ω	†2 meg	†1.1 meg	270K	2.6 meg
V5	12CR6	0 Ω	NC	0 Ω	.1 Ω	†270K	†1 meg	2.2 meg		
V6	12AQ5	560K	470 Ω	0 Ω	.1 Ω	†460 Ω	†200 Ω	560K		
V7	6CX8	0 Ω	56K	†200 Ω	.1 Ω	.1 Ω	~270 Ω	2200 Ω	†27K	†460 Ω
V8	12X4	225 Ω	NC	.1 Ω	0 Ω	NC	210 Ω	†		

ALL MEASUREMENTS MADE IN "RECEIVE" POSITION UNLESS OTHERWISE DESIGNATED.
 † MEASURED IN "TRANSMIT" POSITION.
 † MEASURED FROM PIN 7 OF V8. NC, NO CONNECTION
 † THIS READING WILL VARY DEPENDING UPON THE CONDITION OF THE ELECTROLYTIC IN THE CIRCUIT.

A PHOTOFAC STANDARD NOTATION SCHEMATIC
 © Howard W. Sams & Co., Inc. 1962



NUMBERS ASSIGNED TO COILS, SWITCHES, PLUGS, SOCKETS, AND TRANSFORMERS ARE TO FACILITATE CIRCUIT TRACING OR COMPONENT REPLACEMENT AND MAY NOT NECESSARILY BE FOUND ON THE UNIT.

- DC voltage measurements taken with vacuum tube voltmeter; AC voltages measured with 1000 ohm per volt voltmeter.
- Socket connections are shown as bottom views.
- Measured values are from socket pin to common ground.
- Line voltage maintained at 117 volts for voltage readings.
- Nominal tolerance on component values makes possible a variation of ±15% in voltage and resistance readings.
- Volume control at maximum, no signal applied for voltage measurements.

SEE PARTS LIST FOR ALTERNATE VALUE OR APPLICATION
 DC COIL RESISTANCE VALUES UNDER ONE OHM NOT SHOWN ON SCHEMATIC DIAGRAM
 ARROWS ON CONTROLS INDICATE CLOCKWISE ROTATION (CONTROL VIEWED FROM SHAFT END)

WEBSTER MODEL
 FOUR-ELEVEN